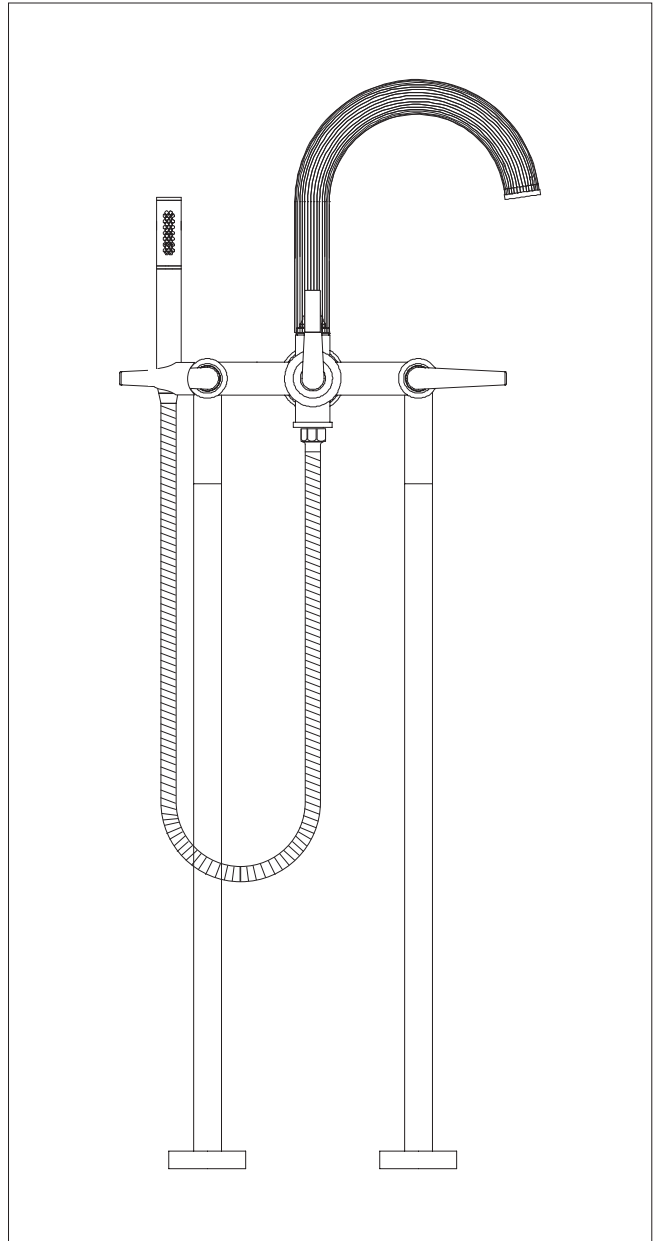
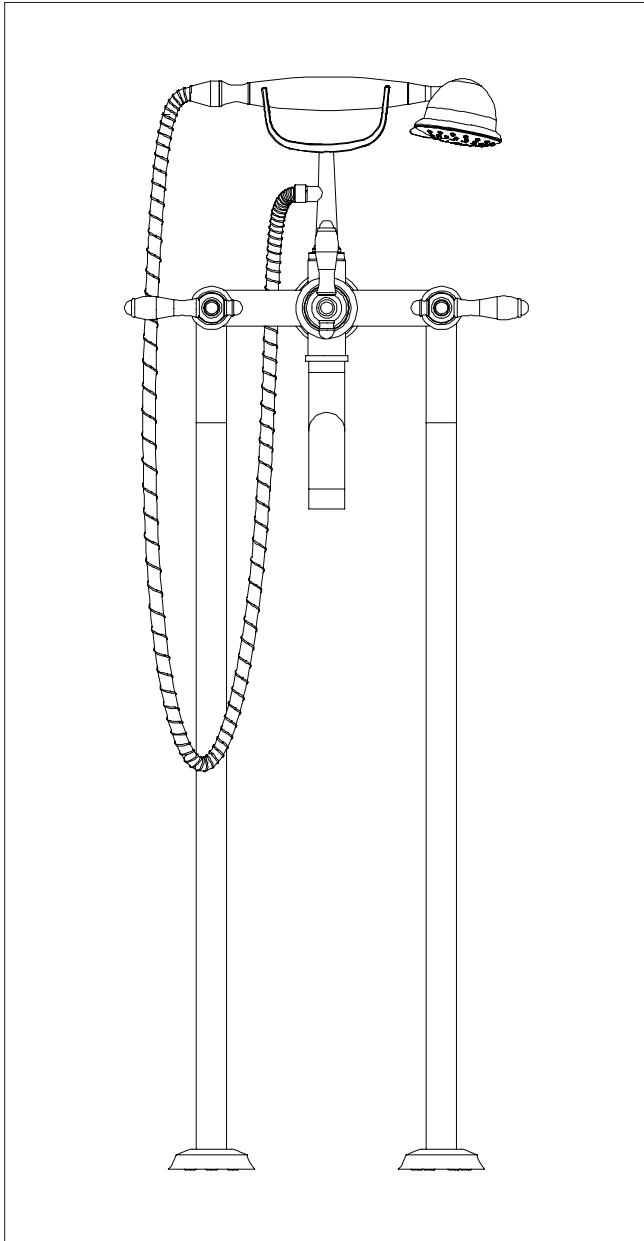


Please read the instructions completely before beginning the installation.



ROUGH

ROUGH

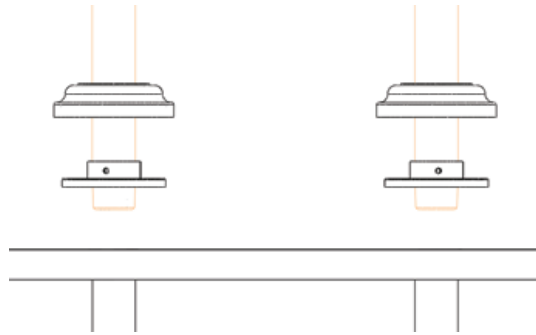
Rough in two $\frac{3}{4}$ " female fittings 8" apart below the subfloor for the floor mount tub filler. The female fittings should be flush with the finished door.

NOTE:

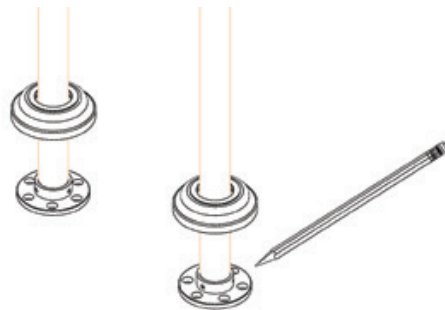
Plumber will need to construct a support system from beneath the floor to ensure the product is held -properly. The total dry weight of the floor mount tub filler is about 25 pounds.

TRIM INSTALLATION

1. Slip the flange and the mounting bracket onto each leg and align with the 3/4" female fitting.



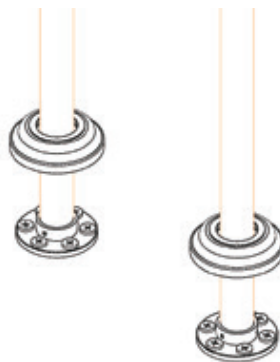
2. Mark the position of screw hole in the mounting bracket, and remove both legs. Drill the pilot holes out for the screws at 5/16".



3. Wrap the threads with Teflon Tape and thread each leg into the female fittings beneath the floor.

NOTE: Make sure the leg with the inner tube is placed on the "HOT" side.

4. When both legs are secure, use the provided allen key to thread all 12 set screws on the mounting bracket until secure. DO NOT OVERTIGHTEN.

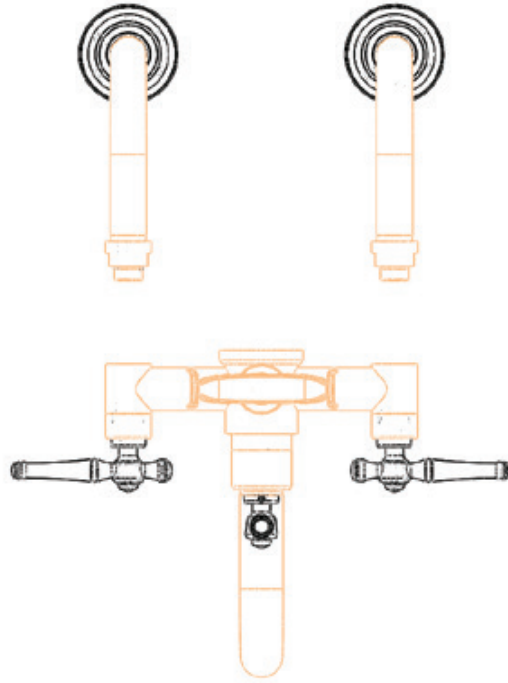


The measurements shown are for reference only. Products and specifications shown are subject to change without notice.

www.santecfaucet.com | P: 310.542.0063 F: 310.542.5681

TRIM INSTALLATION

5. Wrap Teflon Tape around the threads of each leg and thread the base body onto the legs of the assembly. Use a wrench to ensure connection is tight. Being cautious to not danger the finish.



6. Place the handheld shower in the cradle and thread the hose on floor mount tub filler and handheld shower respectively.

FLUSH THE LINES

1. Turn on the water and slowly open both hot and cold lines while holding the handheld shower over the tub.
2. Keep the water on for 45 seconds making sure to divert between both outlets to ensure the system is clear of debris.

CARTRIDGE REPLACEMENT

CARTRIDGE REPLACEMENT

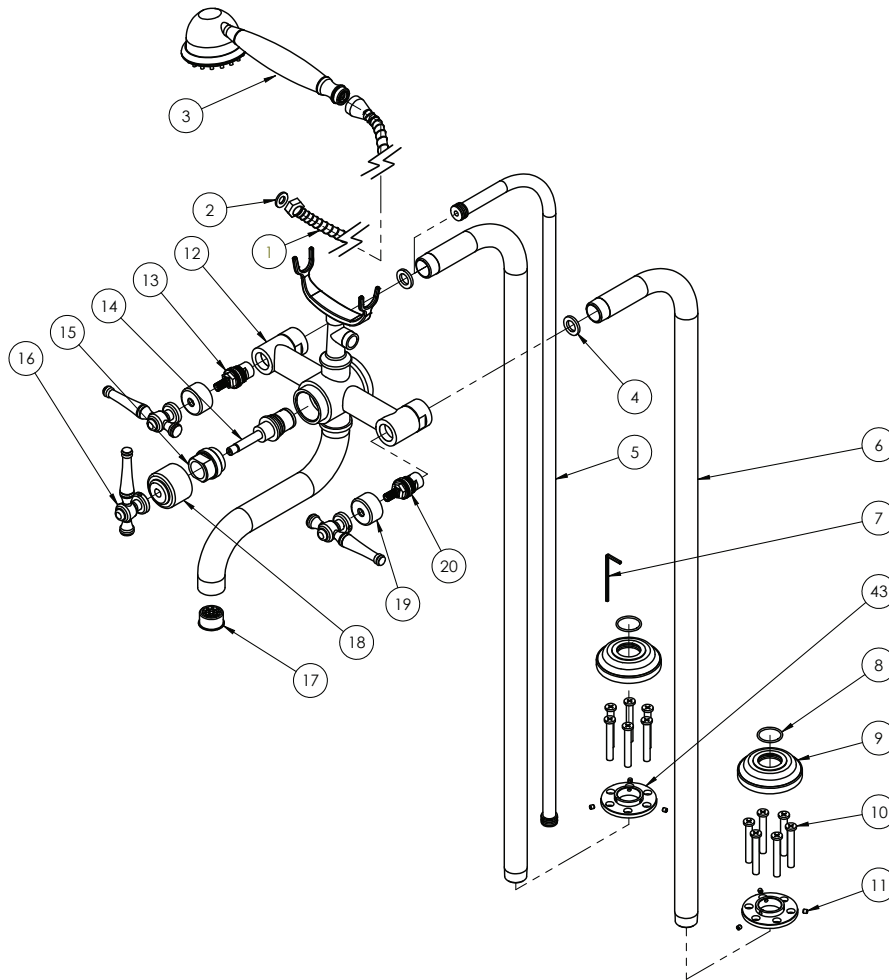
HOT & COLD Cartridges

1. Turn off both hot and cold supply lines to the house.
2. Using the provided allen key, unthread the set screw from the handle needing replacement.
3. Remove the handle and unthread the cap over the cartridge.
4. Using a wrench, unthread the cartridge from the body.

Diverter Cartridge

1. When working with diverters, you do not need to turn off water supply lines to the house.
2. Using the provided allen key, unthread the set screw from the center handle.
3. Remove the handle and unthread the cap over the cartridge.
4. Using a wrench, unthread the center lock nut holding the cartridge in place.
5. Pull out the cartridge to remove it.
6. When replacing the cartridge, be sure to line the holes on the cartridge up with the holes inside the body.

PARTS DRAWING



#	PART DESCRIPTION	PART #
1	Handheld Shower Hose	PS200-2-00
2	Rubber Washer	PM-1083
3	Handheld Shower Assembly	PS600S-00
4	Leg Washer	PM-1200
5	FMTF Leg	PM-1249
6	Long Feet	PM-0007
7	Allen Key	PM-033
8	FMTF Flange O-Ring	PM-1273
9	Floor Mount Tub Filler Flange	VARIES
10	Mounting Screws	PM-0009
11	#10-24x3/16" Set Screw	PM-027

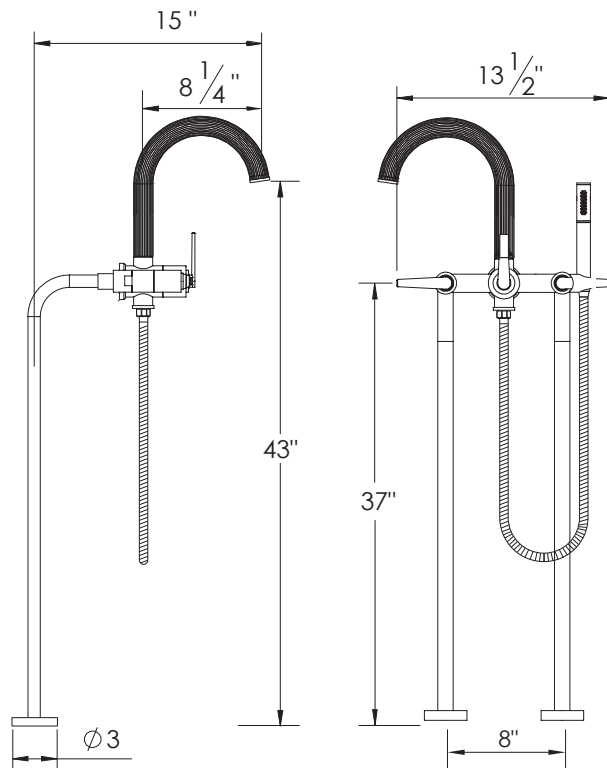
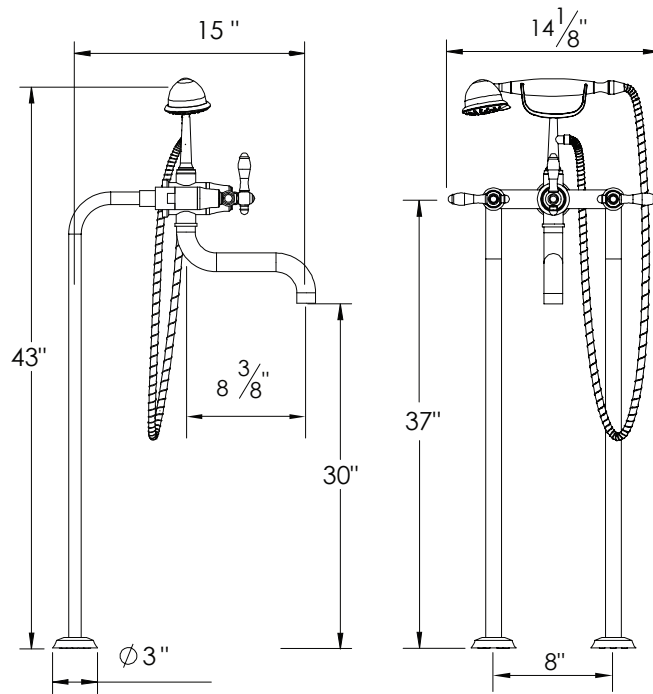
#	PART DESCRIPTION	PART #
12	Floor Mount Tub Filler Base	PS-K400-U-00
13	Ceramic Disk Cartridge	P0408
14	FMTF Diverter Cartridge	PB-60R
15	Adaptor for Diverter Cartridge	PM-0006
16	Handle Assembly	VARIES
17	Diffuser	PM-1229
18	Diverter Bell	PH00232
19	Traditional Bell	PH00229
20	Ceramic Disk Cartridge	P0409
21	Floor Mount Tub Filler Mount	PM-0008

* Please specify the finish when ordering the part.

The measurements shown are for reference only. Products and specifications shown are subject to change without notice.

www.santecfaucet.com | P: 310.542.0063 F: 310.542.5681

SPECIFICATION SHEETS



The measurements shown are for reference only. Products and specifications shown are subject to change without notice.

www.santefaucet.com | P: 310.542.0063 F: 310.542.5681



LIFETIME LIMITED WARRANTY

SANTEC is committed to enhancing your bathroom experience by creating luxury products that will provide enduring satisfaction. Every effort has been made to satisfy the highest standards of design and production, to create lasting peace of mind for our customers. We provide the following limited warranties on our products:

LENGTH OF WARRANTY & WHO IS COVERED BY OUR WARRANTY

This warranty extends to the original consumer purchaser only and extends for as long as the original purchaser owns the product and the home in which the product is installed.

WHAT IS COVERED BY OUR WARRANTY

1. **FINISHES:** SANTEC Polished Chrome, Polished Nickel and Satin Nickel finishes carry a Lifetime Limited warranty against manufacturing defects and tarnish to the original purchaser. All other finishes carry a ten (10) year limited warranty against manufacturing defects and tarnish to the original purchaser only.
2. **CARTRIDGES:** Santec cartridges carry a lifetime limited warranty, with the exception of thermostatic and pressure balanced cartridges, which carry a three (3) year limited warranty against manufacturing defects to the original purchaser.
3. **PARTS:** Santec parts carry a 10-year limited warranty against manufacturing defects, to the original purchaser.

EXCLUSIONS & LIMITATIONS OF WARRANTY

This warranty does not cover:

1. Damage due to negligence, accident, abuse, improper installation, or improper maintenance such as, but not limited to: heat from soldering during installation, the use of plumber's putty, damage from tools used during installation, the use or exposure to chemicals or cleaning products either abrasive or non-abrasive, or the use of any cleaning tool or product other than a soft, clean cloth. Reverse osmosis may also shorten the life of the finish.
2. Changes in the finish or in the product due to normal wear or aging does not cover any products or parts which have been altered or used in a manner not typical for the product.
3. Loss, damages, or expense, incidental or consequential whatsoever, originating from the purchase, installation, use, repair, failure, or replacement of any SANTEC product or part, allowed by law.
4. Commercial and/or Industrial installations and use of the product.
5. This warranty does not include labor, travel charges, or any costs incurred for repair, removal, installation, servicing, diagnosing, or handling of either defective or replacement parts.
6. Damage or deterioration caused by environmental impacts.

SANTEC reserves the product components of the covered product will be repaired, refinished, or replaced at the sole discretion of SANTEC. SANTEC reserves the right to examine any product claimed defective prior to any warranty claim being accepted or processed, at its sole discretion. This warranty gives you specific legal rights and you may have other rights which may vary from state to state.

The measurements shown are for reference only. Products and specifications shown are subject to change without notice.

www.santecfaucet.com | P: 310.542.0063 F: 310.542.5681



LIFETIME LIMITED WARRANTY

SANTEC is committed to enhancing your bathroom experience by creating luxury products that will provide enduring satisfaction. Every effort has been made to satisfy the highest standards of design and production, to create lasting peace of mind for our customers. We provide the following limited warranties on our products:

LENGTH OF WARRANTY & WHO IS COVERED BY OUR WARRANTY

This warranty extends to the original consumer purchaser only and extends for as long as the original purchaser owns the product and the home in which the product is installed.

WHAT IS COVERED BY OUR WARRANTY

1. **FINISHES:** SANTEC Polished Chrome, Polished Nickel and Satin Nickel finishes carry a Lifetime Limited warranty against manufacturing defects and tarnish to the original purchaser. All other finishes carry a ten (10) year limited warranty against manufacturing defects and tarnish to the original purchaser only.
2. **CARTRIDGES:** Santec cartridges carry a lifetime limited warranty, with the exception of thermostatic and pressure balanced cartridges, which carry a three (3) year limited warranty against manufacturing defects to the original purchaser.
3. **PARTS:** Santec parts carry a 10-year limited warranty against manufacturing defects, to the original purchaser.

EXCLUSIONS & LIMITATIONS OF WARRANTY

This warranty does not cover:

1. Damage due to negligence, accident, abuse, improper installation, or improper maintenance such as, but not limited to: heat from soldering during installation, the use of plumber's putty, damage from tools used during installation, the use or exposure to chemicals or cleaning products either abrasive or non-abrasive, or the use of any cleaning tool or product other than a soft, clean cloth. Reverse osmosis may also shorten the life of the finish.
2. Changes in the finish or in the product due to normal wear or aging does not cover any products or parts which have been altered or used in a manner not typical for the product.
3. Loss, damages, or expense, incidental or consequential whatsoever, originating from the purchase, installation, use, repair, failure, or replacement of any SANTEC product or part, allowed by law.
4. Commercial and/or Industrial installations and use of the product.
5. This warranty does not include labor, travel charges, or any costs incurred for repair, removal, installation, servicing, diagnosing, or handling of either defective or replacement parts.
6. Damage or deterioration caused by environmental impacts.

SANTEC reserves the product components of the covered product will be repaired, refinished, or replaced at the sole discretion of SANTEC. SANTEC reserves the right to examine any product claimed defective prior to any warranty claim being accepted or processed, at its sole discretion. This warranty gives you specific legal rights and you may have other rights which may vary from state to state.

The measurements shown are for reference only. Products and specifications shown are subject to change without notice.

www.santecfaucet.com | P: 310.542.0063 F: 310.542.5681