

SANTEC

FLUID IMAGINATION

DESIGNER SERIES

FLOOR MOUNT TUB FILLER



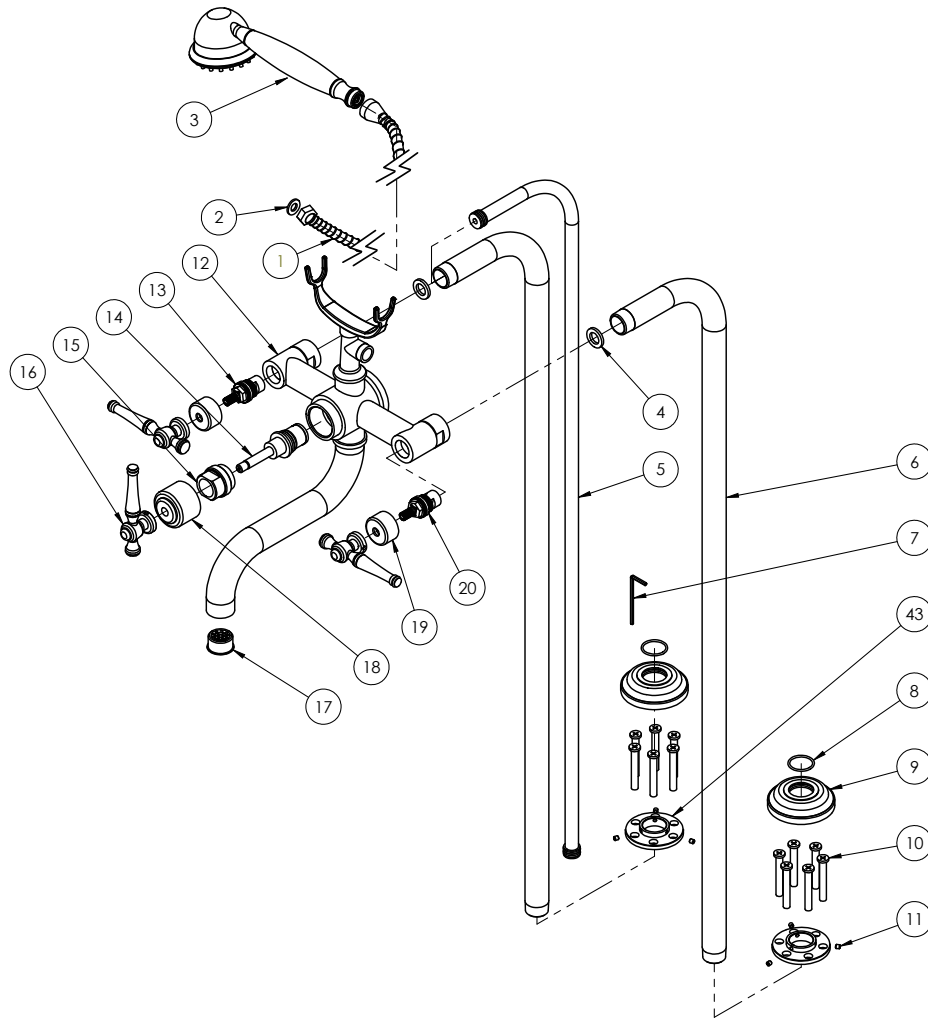
KEEP THIS INSTRUCTION BOOKLET FOR FUTURE REFERENCE

Important : Please register your product online at www.santecfaucet.com within 30 days of purchase. Santec reserves the right to request additional documents before servicing warranty requests.

SANTEC has the right to make necessary design changes where applicable.

*Illustration may not depict actual products

Parts Breakdown



ITEM NO.	PART NUMBER	DESCRIPTION	QTY.
1	PS200-2-00	Handheld Shower Hose	1
2	PM-1083	Rubber Washer	1
3	PS600S-00	Handheld Shower Assembly	1
4	PM-1200	Leg Washer	2
5	PM-1249	FMTF Leg	1
6	PM-0007	Long Feet	2
7	PM-033	Allen Key	1
8	PM-1273	FMTF Flange O-ring	2
9	VARIES	Floor Mount Tub Filler Flange	2
10	PM-0009	Mounting Screws	12

ITEM NO.	PART NUMBER	DESCRIPTION	QTY.
11	PM-027	#10-24 x 3/16" Set Screw	9
12	PS-K400-U-00	Floor Mount Tub Filler Base	1
13	P0408	Ceramic Disk Cartridge	1
14	PB-60R	FMTF Diverter Cartridge	1
15	PM-0006	Adaptor for Diverter Cartridge	1
16	VARIES	Handle Assembly	3
17	PM-1229	Diffuser	1
18	PH00232	Diverter Bell	1
19	PH00229	Traditional Bell	2
20	P0409	Ceramic Disk Cartridge	1
43	PM-0008	Floor Mount Tub Filler Feet Mount	2

ROUGH

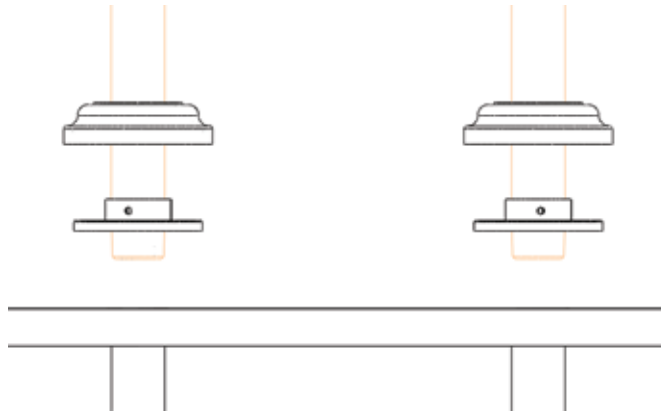
Rough in two $\frac{3}{4}$ " female pipes 8" apart underneath the subfloor for the floor mount tub filler. The female nipples of the pipes should be flush with the finished floor.

NOTE:

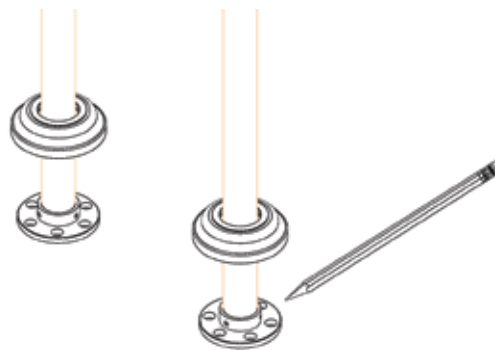
Outside of the leg flanges, there is no anchor supplied with the product. Plumber will need to construct a support system from beneath the floor to ensure the product is held properly. The total dry weight of the floor mount tub filler is about 25 pounds.

Trim Installation

1. Slip the flange and the bracket onto each leg and align with the female pipe outlet.



2. Mark the position of screw hole flange and remove both legs. Drill the pilot holes out for the screws at 5/16"

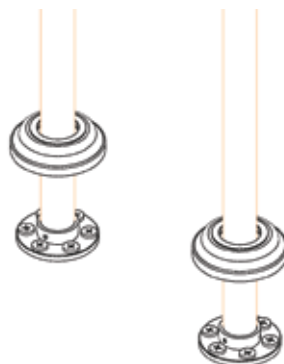


3. Wrap the threads with Teflon Tape and thread each leg into the female pipes beneath the floor.

NOTE: Make sure the leg with the inner tube is placed on the "HOT" side.

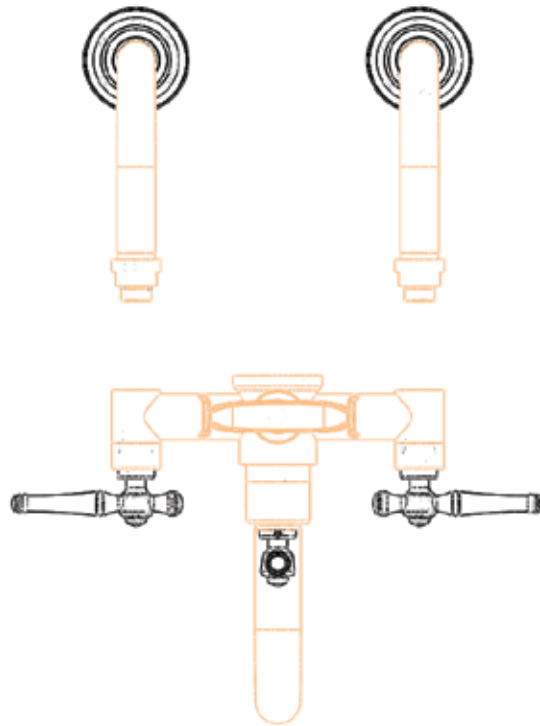
4. When both legs are secure, use the provided allen key to thread all six set screws on the flanges until tight. DO NOT OVERTIGHTEN.

5. Thread all 12 screws into the flange until tight.



Trim Installation

6. Wrap Teflon Tape around the threads of each leg and thread the base body onto the legs of the assembly. Use a wrench to ensure the connection is tight



7. Place the handheld shower in the rack and thread the hose on floor mount tub filler and handheld shower respectively.

FLUSH THE LINES

1. Turn on the water and slowly open both hot and cold lines while holding the handheld shower over the tub.
2. Keep the water on for 45 seconds making sure to divert between both outlets to ensure the system is clear of debris.

Cartridge Replacement

CARTRIDGE REPLACEMENT

HOT & COLD Cartridges

1. Turn off both hot and cold supply lines to the house.
2. Using the provided allen key, unthread the set screw from the handle needing replacement.
3. Remove the handle and unthread the cap over the cartridge.
4. Using a wrench, unthread the cartridge from the body.

Diverter Cartridge

1. Turn off both hot and cold supply lines to the house.
2. Using the provided allen key, unthread the set screw from the center handle.
3. Remove the handle and unthread the cap over the cartridge.
4. Using a wrench, unthread the center lock nut holding the cartridge in place.
5. Pull out the cartridge to remove it.
6. When replacing the cartridge, be sure to line the holes on the cartridge up with the holes inside the body.



LIFETIME LIMITED WARRANTY

SANTEC is committed to enhancing your bathroom experience by creating luxury products that will provide enduring satisfaction. Every effort has been made to satisfy the highest standards of design and production to create lasting peace of mind for our customers. Proof of purchase must be provided for all warranty claims, SANTEC provides the following limited warranties on our product.

LENGTH OF WARRANTY & WHO IS COVERED BY OUR WARRANTY

This warranty only extends to the original consumer purchaser.

WHAT IS COVERED BY OUR WARRANTY

1. **Finishes:** SANTEC Polished Chrome, Polished Nickel and Satin Nickel finishes carry a Lifetime Limited warranty against manufacturing defects and tarnish to the original purchaser. Custom finishes carry a ten (10) years limited warranty against manufacturing defects and tarnish to the original purchaser only. Kitchen products carry a three (3) year limited warranty.
2. **Cartridges:** Santec cartridges carry a lifetime limited warranty, with the exception of thermostatic and pressure balanced cartridges, which carry a three (3) year limited warranty against manufacturing defects to the original purchaser.
3. **Parts:** Santec parts carry a ten (10) year limited warranty against manufacturing defects, to the original purchaser. Kitchen products carry a five (5) year limited warranty.

EXCLUSIONS AND LIMITATIONS OF WARRANTY

This warranty does not cover:

1. **Drains**
2. **Crystals and/or glass**
3. Damage due to negligence, accident, abuse, improper installation, or improper maintenance such as, but not limited to: heat from soldering during installation, the use of plumber's putty, damage from tools used during installation, the use or exposure to chemicals or cleaning products either abrasive or non-abrasive, or the use of any cleaning tool or product other than a soft, clean cloth. Reverse osmosis may also shorten the life of the finish.
4. Changes in the finish or in the product due to normal wear or aging does not cover any products or parts which have been altered or used in a manner not typical for the product.
5. Loss, damages, or expense, incidental or consequential whatsoever, originating from the purchase, installation, use, repair, failure, or replacement of any SANTEC product or part, allowed by law.
6. Commercial and/or Industrial installations and use of the product.
7. This warranty does not include labor, travel charges, or any costs incurred for repair, removal, installation, servicing, diagnosing, or handling of either defective or replacement parts. Changes in the finish or in the product due to normal wear or aging does not cover any products or parts.
8. Access should be provided to the roman tub valves for future service or repair to valves and piping. Under no circumstances will Santec Faucet, Inc. be liable for any costs associated with the removal of materials for future access to the tub valves or piping for service or repair.
- 9.

This warranty does not cover: damage due to negligence, accident, abuse, improper installation, or improper maintenance such as, (but not limited to): heat from soldering during installation, the use of plumbers putty, damage from tools used during installation, the use or exposure to chemical or cleaning products, abrasive or non-abrasive, or the use of any cleaning tool or product other than a soft, clean cloth. **This warranty does not cover: changes in the finish or in the product due to normal wear or again and does not cover any product or parts which have been altered or used in a manner not typical for the product.** Santec will not be held liable for damage to products caused by the freight carrier, any such claims should be made immediately with the freight carrier. This warranty does not cover any cost involved in the installation, repair, or replacement of any SANTEC product or parts. This warranty does not cover and SANTEC will not be held liable for any loss, damages, or expenses, incidental or consequential whatsoever, originating from the purchase, installation, use, repair, failure, or replacement of any SANTEC product or part, as allowed by law. The product of components of the covered product will either be repaired, refinished or replaced at the sole discretion of SANTEC. SANTEC reserves the right to examine any product claimed defective prior to any warranty claim being accepted or processed, at its sole discretion. This warranty gives you specific legal rights and you may have other rights which may vary from state to state.

Effective: 05/01/2015



FINISH CARE INFORMATION

WARNING: Do not clean your SANTEC product with ammonia (window cleaner), bleach, soaps, acids, abrasives, harsh polishes, harsh cleaners, a coarse surfaced cloth, coarse sponge, or any type of scouring pad. Doing so may ruin your faucet finish and/or void the warranty.

Thank you for making SANTEC a part of your lifestyle and luxury spa experience. Our products have been created as works of enduring quality and sophisticated design. Luxurious finishes need proper care and attention, so in order to understand how to properly clean your distinctive luxury finish, please refer to the finish care information below:

Your SANTEC product can be identified in one of two categories: clear coated finishes or non-clear coated finishes. Clear coated finishes are more scratch-sensitive and are more reactant to harsh cleaning chemicals than non-clear coated finishes. Once you have identified the specific luxury finish of your SANTEC product, please follow the important corresponding care instructions.

Living finishes are unique, are intended to change over time and are excluded from the finish warranty. Any product outdoors or in a marine environment are excluded from the finish warranty.

CLEAR COATED FINISHES

Clear Coated Finishes are as Follows:

We recommend that all faucets, drains, etc., be gently wiped dry with a soft cloth after use to avoid water spotting and water deposit build-up. A mild liquid hand soap may be used occasionally if desired. Use of a non-abrasive carnauba wax will add protection to the finish and should be used if the faucets will not be dried after use. Santec Orobrass kitchen products are clear coated. For clear coated finishes, it is recommended to clean your product weekly with a soft moist cloth.

NON-CLEAR COATED FINISHES

We recommend that all faucets, drains, etc., be gently wiped dry with a soft cloth after use to avoid water spotting and water deposit build-up. A mild liquid hand soap may be used occasionally if desired. Use of a non-abrasive carnauba wax is occasionally required and will add protection to the finish if the faucets will not be dried after use.

TO OBTAIN WARRANTY SERVICE

Please read 'WHAT IS COVERED BY OUR WARRANTY' and 'EXCLUSIONS AND LIMITATIONS OF WARRANTY' sections to understand what is and what is not covered. Please have ready the proof of purchase (original sales receipt), description of the problem, and carefully package the product or defective part with postage prepaid. Then, please contact your local SANTEC Showroom or write to SANTEC Technical Services.