

Please read the instructions completely before beginning the installation.



INSTALLATION INSTRUCTION

- Adequate floor support is required. The wood support must be a minimum of 2" (51mm) thick by 10" (254mm) wide. Wood support must be perfectly level. (1)
- Sweat together Hot and cold supply assemblies. Apply sealing tape to thread connections. Thread supplies into rough-in valves inlets. The Hot and Cold inlets are marked.
- Locate the position on the wood support where the rough-in valve will be installed. Use the rough-in valve as a guide to mark the four mounting hole locations. (2)

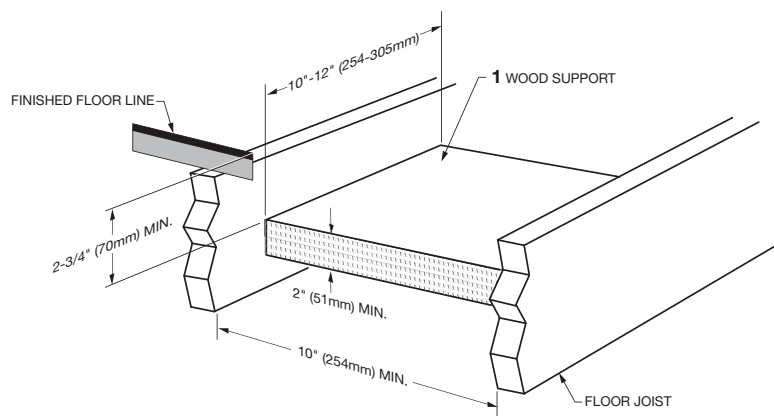


Fig. 1

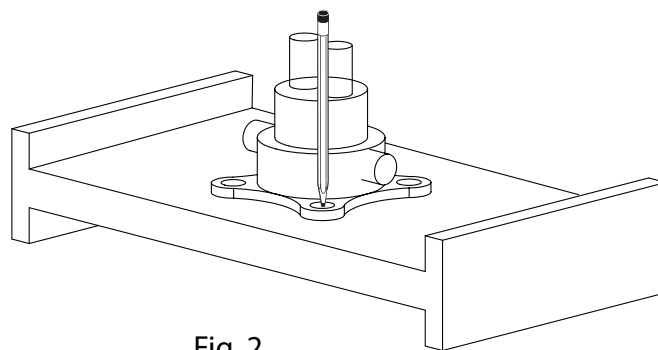


Fig. 2

The measurements shown are for reference only. Products and specifications shown are subject to change without notice.

www.santecfaucet.com | P: 310.542.0063 F: 310.542.5681

INSTALLATION INSTRUCTION

- Put the plastic guard and make sure the finish floor line is within the Max and Min limits which are marked on the guard.
- Remove the rough and drill four pilot holes of 1/5" (5mm) in diameter. Install the four mounting screws into wood support. (3)
- Install the rough-in valve using four long mounting screws, mounting nuts and lock washers into wood supplies. (4)

Important: Front of rough-in valve must face bath trim.

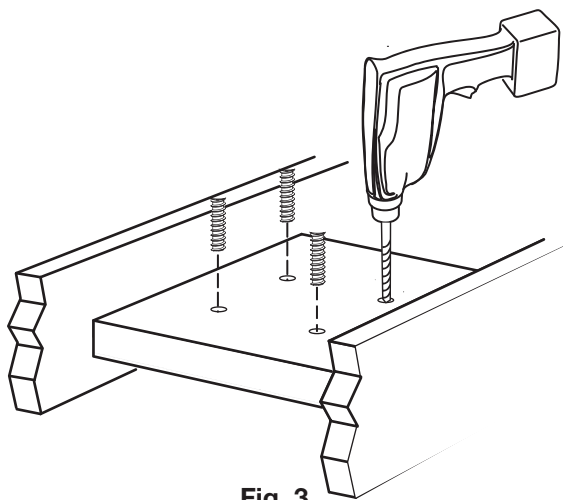


Fig. 3

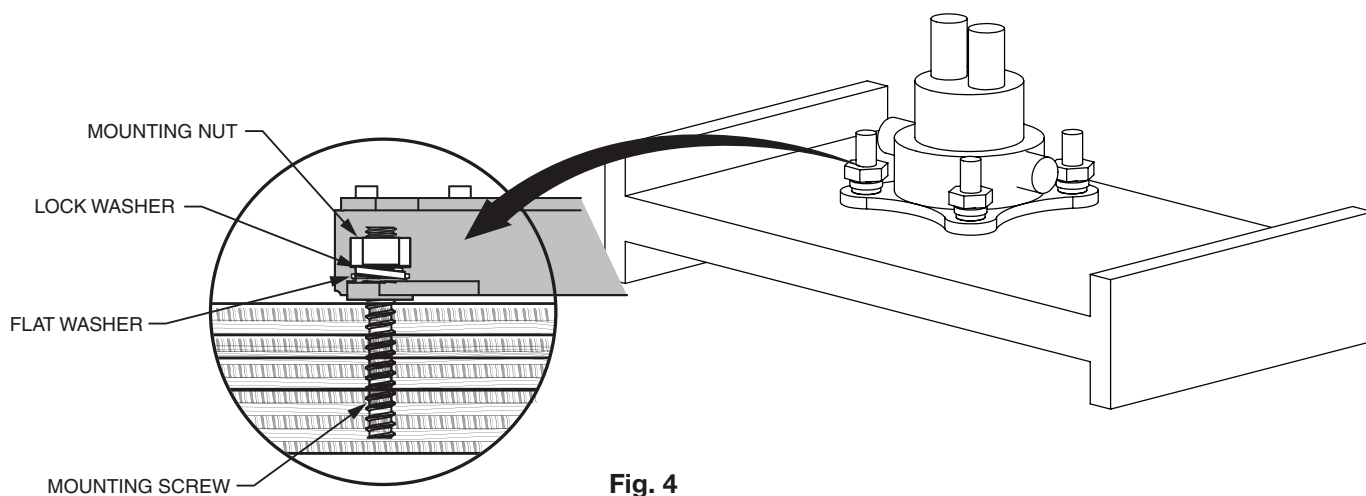


Fig. 4

The measurements shown are for reference only. Products and specifications shown are subject to change without notice.

www.santecfaucet.com | P: 310.542.0063 F: 310.542.5681

INSTALLATION INSTRUCTION

- Check that the top of the rough-in valve is level in all directions.
- Complete all Hot and Cold supply connections. Turn on water supplies and check for leaks. Make sure the shut-off valves are closed.
- Now, complete the installation of the finished floor and keep a hole with 5" (130mm) diameter on the floor. This hole is necessary in order to fix the free standing leg and it will be covered by the floor cover plate.
- Apply sealing tape to the threaded connections of the supply hoses and connect the Hot and Cold hoses to the valve. (5)

Note: Hot and Cold outlets are marked on the valve.

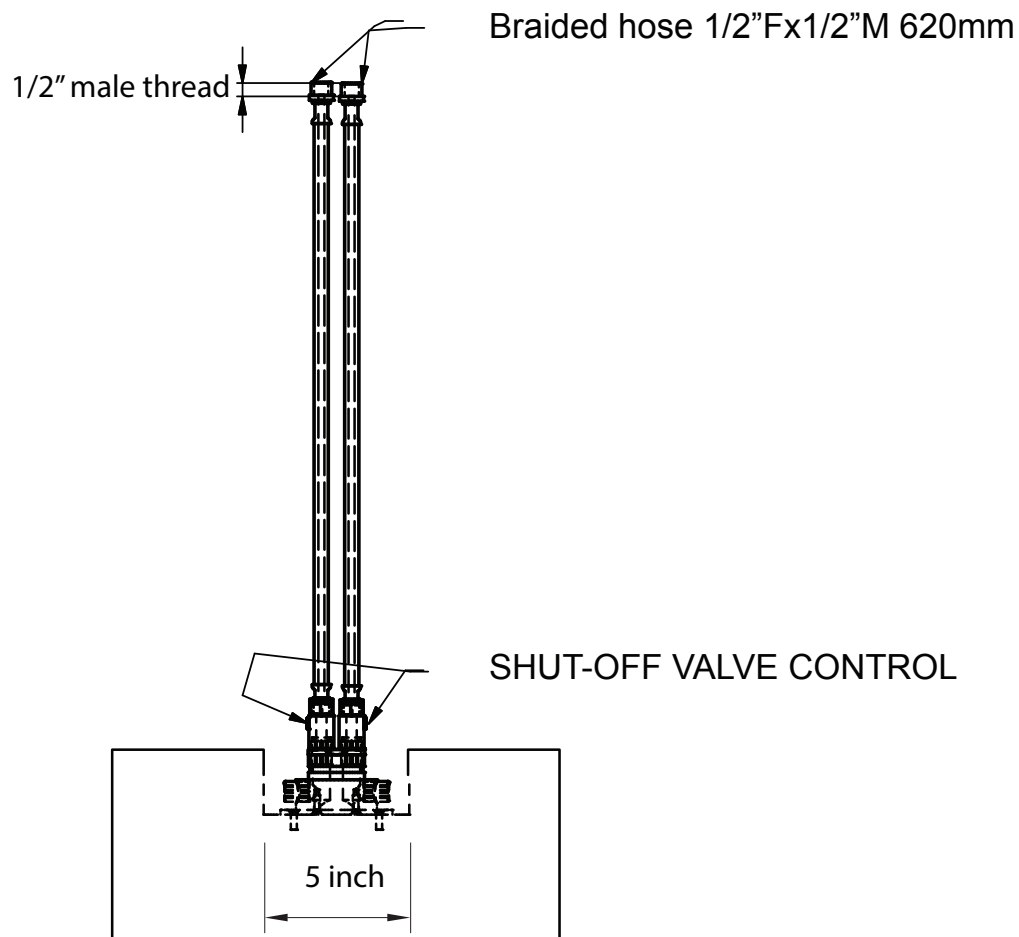


Fig. 5

The measurements shown are for reference only. Products and specifications shown are subject to change without notice.

www.santecfaucet.com | P: 310.542.0063 F: 310.542.5681

INSTALLATION INSTRUCTION

- Put the free standing leg on the rough-in valve and make sure the shut-off valves are aligned with two holes.
- Fix the free standing leg to the valve by using four set screws (2 X CV500B - 2 X CV502B) then verify that the leg is level. If the leg is not level, adjust the level by tightening or loosening the set screws, then verify the level again and fully tighten the set screws.
- Slide the floor cover plate all the way down to the floor. (6)

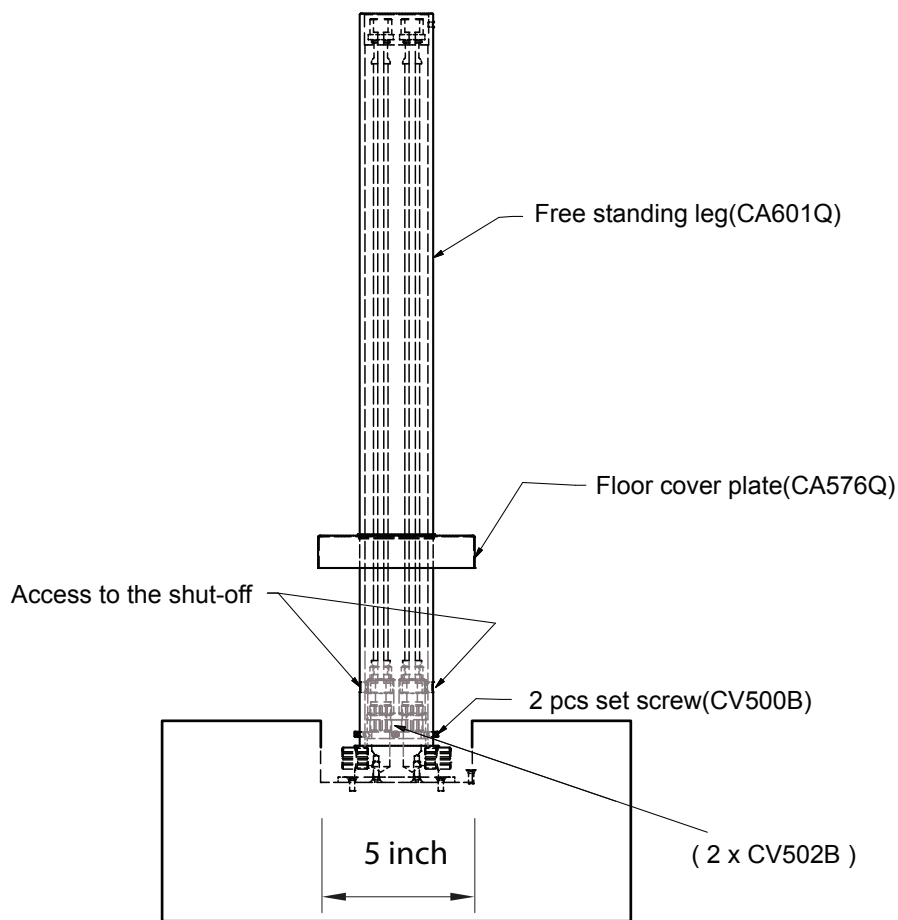


Fig. 6

The measurements shown are for reference only. Products and specifications shown are subject to change without notice.

www.santecfaucet.com | P: 310.542.0063 F: 310.542.5681

INSTALLATION INSTRUCTION

- Use the short hose, which is provided in the package, and pull the hoses out of the leg, then insert the horse shoe right underneath of the Hex. Nuts in order to hold the hoses. (7)

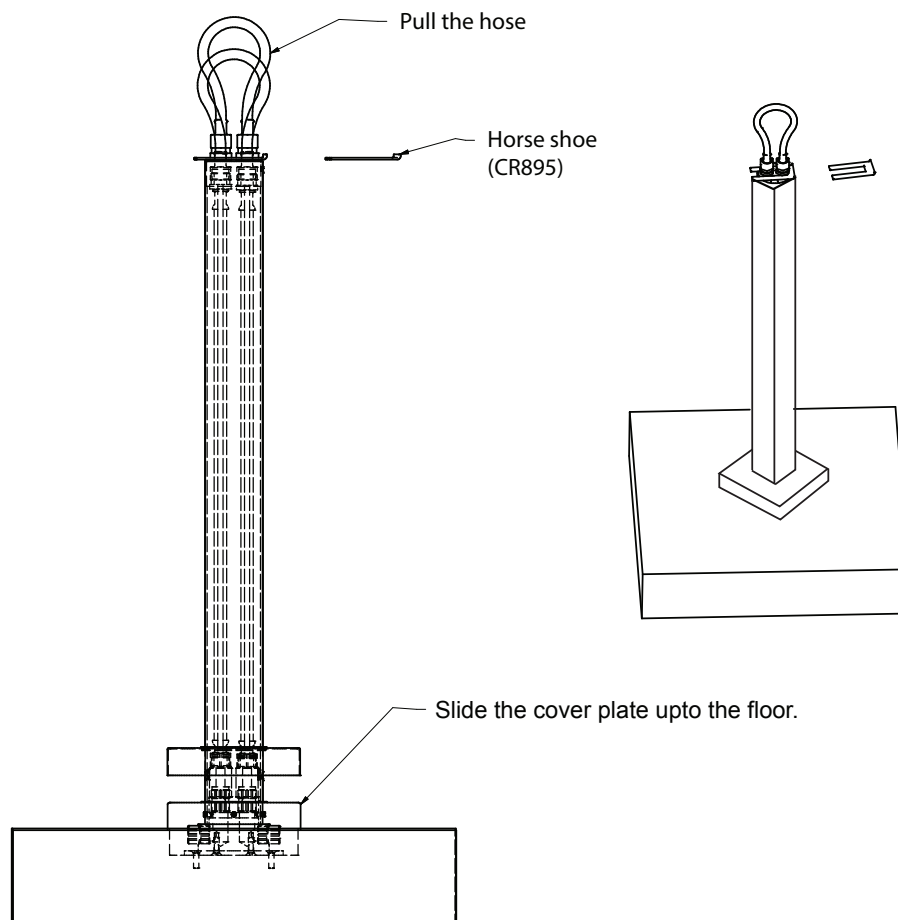


Fig. 7

The measurements shown are for reference only. Products and specifications shown are subject to change without notice.

www.santecfaucet.com | P: 310.542.0063 F: 310.542.5681

INSTALLATION INSTRUCTION

- Connect the valve's hoses to the supply hoses. (8)

Note: Hot and Cold outlets are marked on the valve and the hoses.

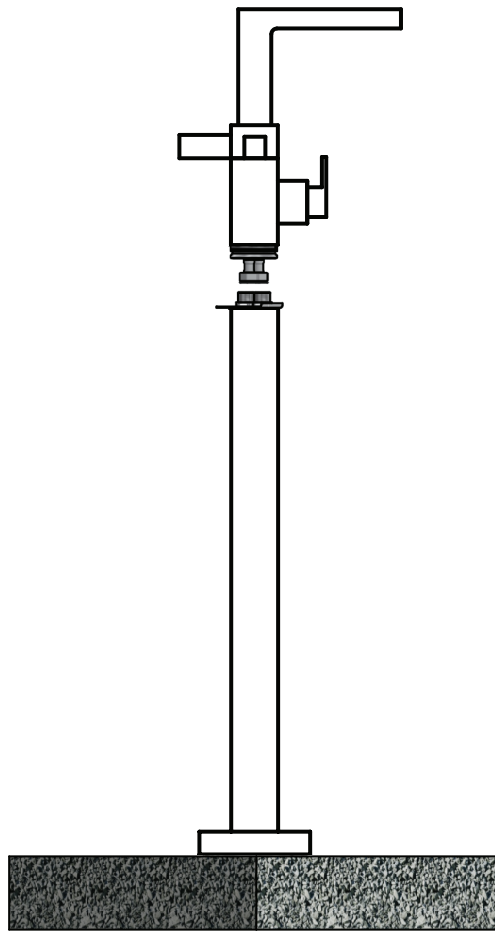


Fig. 8

INSTALLATION INSTRUCTION

- Before removing the horse shoe, turn on water supplies and check for leaks. Make sure the shut-off valves are open and the cartridge is closed.
- Fix the top body on the leg using two brass screws (CA593P) then put two covers on screws(CA593)
- Finally fix the shower hose and shower handle set. (9)

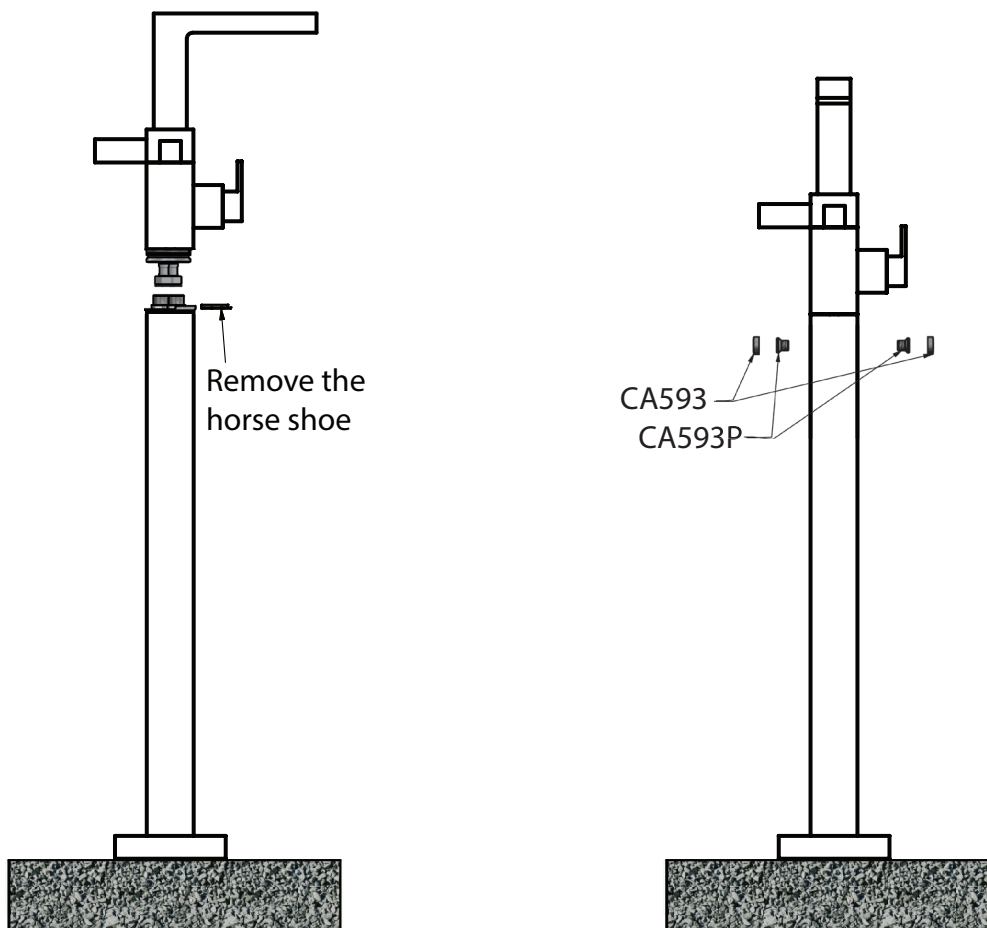


Fig. 9



FINISH CARE INFORMATION

WARNING: Do not clean your SANTEC product with ammonia (Window cleaner), bleach, soap, acids, abrasives, harsh polish, harsh cleaners, a coarse surfaced cloth, coarse sponge, or any type of scouring pad. Doing so may ruin your faucet finish and/or void the warranty.

Thank you for making SANTEC a part of your lifestyle and luxury spa experience. Our products have been created as works of enduring quality and sophisticated design.

Luxurious finishes need proper care and attention, so in order to understand how to properly clean your distinctive luxury finish, please refer to the finish care information below:

Your SANTEC product can be identified in one of two categories: clear coated finishes or non-clear coated finishes. Clear coated finishes are more scratch-sensitive and are more reactant to harsh cleaning chemicals than non-clear coated finishes. Once you have identified the specific luxury finish of your SANTEC product, please follow the important corresponding care instructions.

CLEAR COATED FINISHES

We recommend that all faucets, drains, etc., be gently wiped dry with a soft cloth after use to avoid water spotting and water deposit build-up. A mild liquid hand soap may be used occasionally if desired. Use of a non-abrasive carnauba wax will add protection to the finish and should be used if the faucets will not be dried after use. For clear coated finishes, it is recommended to clean your product weekly with a soft moist cloth.

NON-CLEAR COATED FINISHES

We recommend that all faucets, drains, etc., be gently wiped dry with a soft cloth after use to avoid water spotting and water deposit build-up. A mild liquid hand soap may be used occasionally if desired. Use of a non-abrasive carnauba wax is occasionally required and will add protection to the finish if the faucets will not be dried after use.

TO OBTAIN WARRANTY SERVICE

Please read 'WHAT IS COVERED BY OUR WARRANTY' and 'EXCLUSIONS AND LIMITATIONS OF WARRANTY' sections to understand what is and what is not covered. Please have ready the proof of purchase (original sales receipt), description of the problem, and carefully package the product or defective part with postage prepaid. Then, please contact your local SANTEC Showroom or write to SANTEC Technical Services.



LIFETIME LIMITED WARRANTY

SANTEC is committed to enhancing your bathroom experience by creating luxury products that will provide enduring satisfaction. Every effort has been made to satisfy the highest standards of design and production, to create lasting peace of mind for our customers. We provide the following limited warranties on our products:

LENGTH OF WARRANTY & WHO IS COVERED BY OUR WARRANTY

This warranty extends to the original consumer purchaser only and extends for as long as the original purchaser owns the product and the home in which the product is installed.

WHAT IS COVERED BY OUR WARRANTY

1. **FINISHES:** SANTEC Polished Chrome, Polished Nickel and Satin Nickel finishes carry a Lifetime Limited warranty against manufacturing defects and tarnish to the original purchaser. All other finishes carry a ten (10) year limited warranty against manufacturing defects and tarnish to the original purchaser only.
2. **CARTRIDGES:** Santec cartridges carry a lifetime limited warranty, with the exception of thermostatic and pressure balanced cartridges, which carry a three (3) year limited warranty against manufacturing defects to the original purchaser.
3. **PARTS:** Santec parts carry a 10-year limited warranty against manufacturing defects, to the original purchaser.

EXCLUSIONS & LIMITATIONS OF WARRANTY

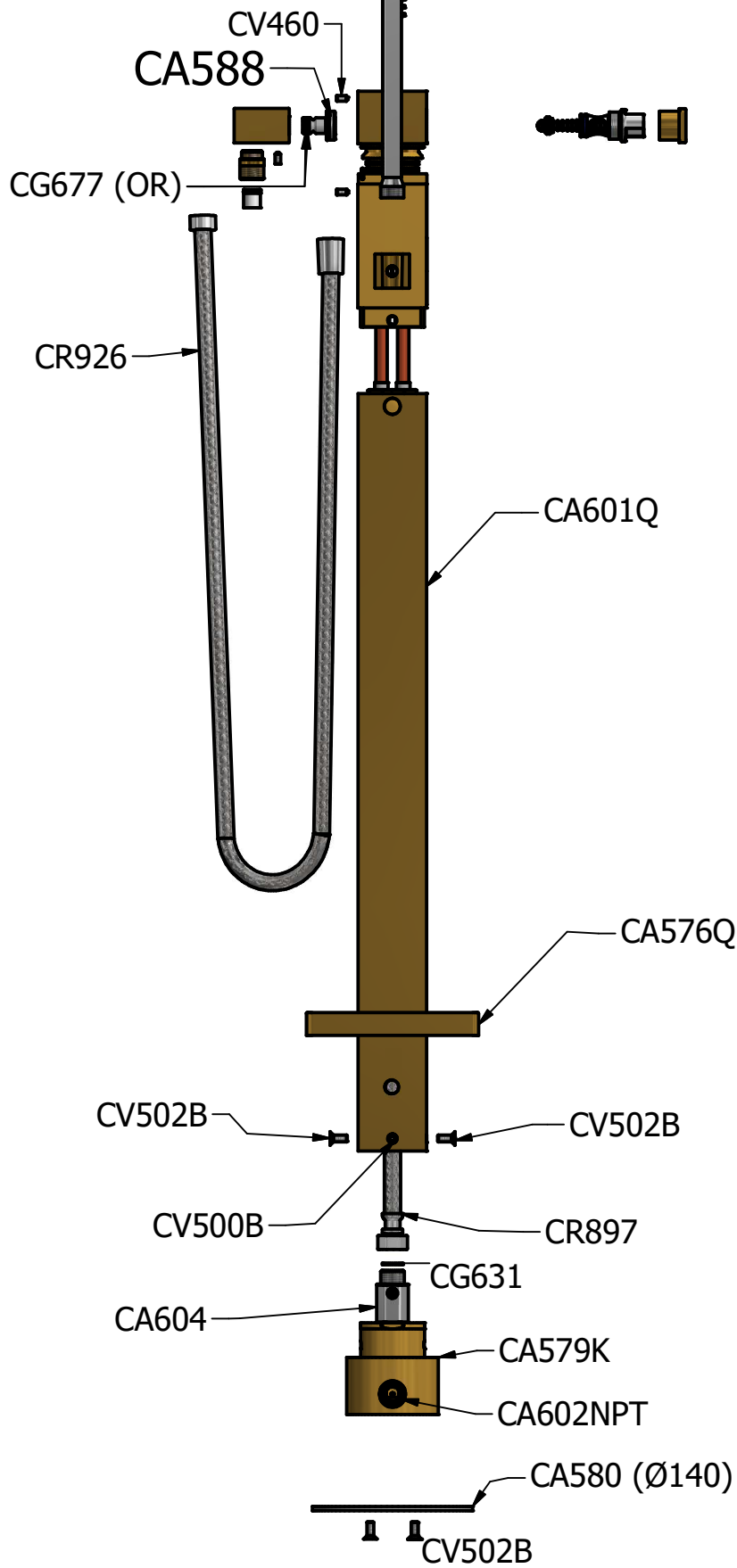
This warranty does not cover:

1. Damage due to negligence, accident, abuse, improper installation, or improper maintenance such as, but not limited to: heat from soldering during installation, the use of plumber's putty, damage from tools used during installation, the use or exposure to chemicals or cleaning products either abrasive or non-abrasive, or the use of any cleaning tool or product other than a soft, clean cloth. Reverse osmosis may also shorten the life of the finish.
2. Changes in the finish or in the product due to normal wear or aging does not cover any products or parts which have been altered or used in a manner not typical for the product.
3. Loss, damages, or expense, incidental or consequential whatsoever, originating from the purchase, installation, use, repair, failure, or replacement of any SANTEC product or part, allowed by law.
4. Commercial and/or Industrial installations and use of the product.
5. This warranty does not include labor, travel charges, or any costs incurred for repair, removal, installation, servicing, diagnosing, or handling of either defective or replacement parts.
5. Damage or deterioration caused by environmental impacts.

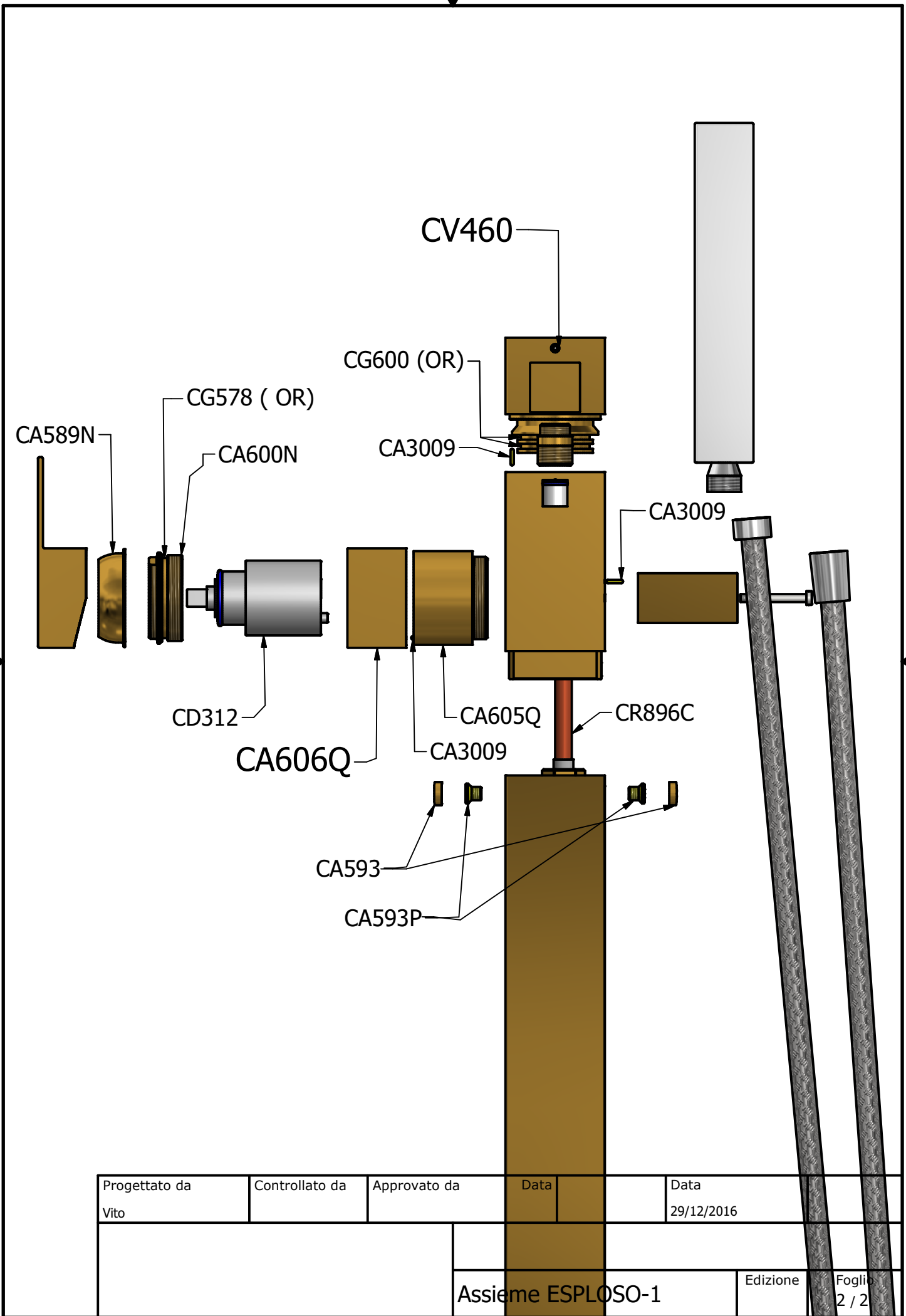
SANTEC reserves the product components of the covered product will be repaired, refinished, or replaced at the sole discretion of SANTEC. SANTEC reserves the right to examine any product claimed defective prior to any warranty claim being accepted or processed, at its sole discretion. This warranty gives you specific legal rights and you may have other rights which may vary from state to state.

The measurements shown are for reference only. Products and specifications shown are subject to change without notice.

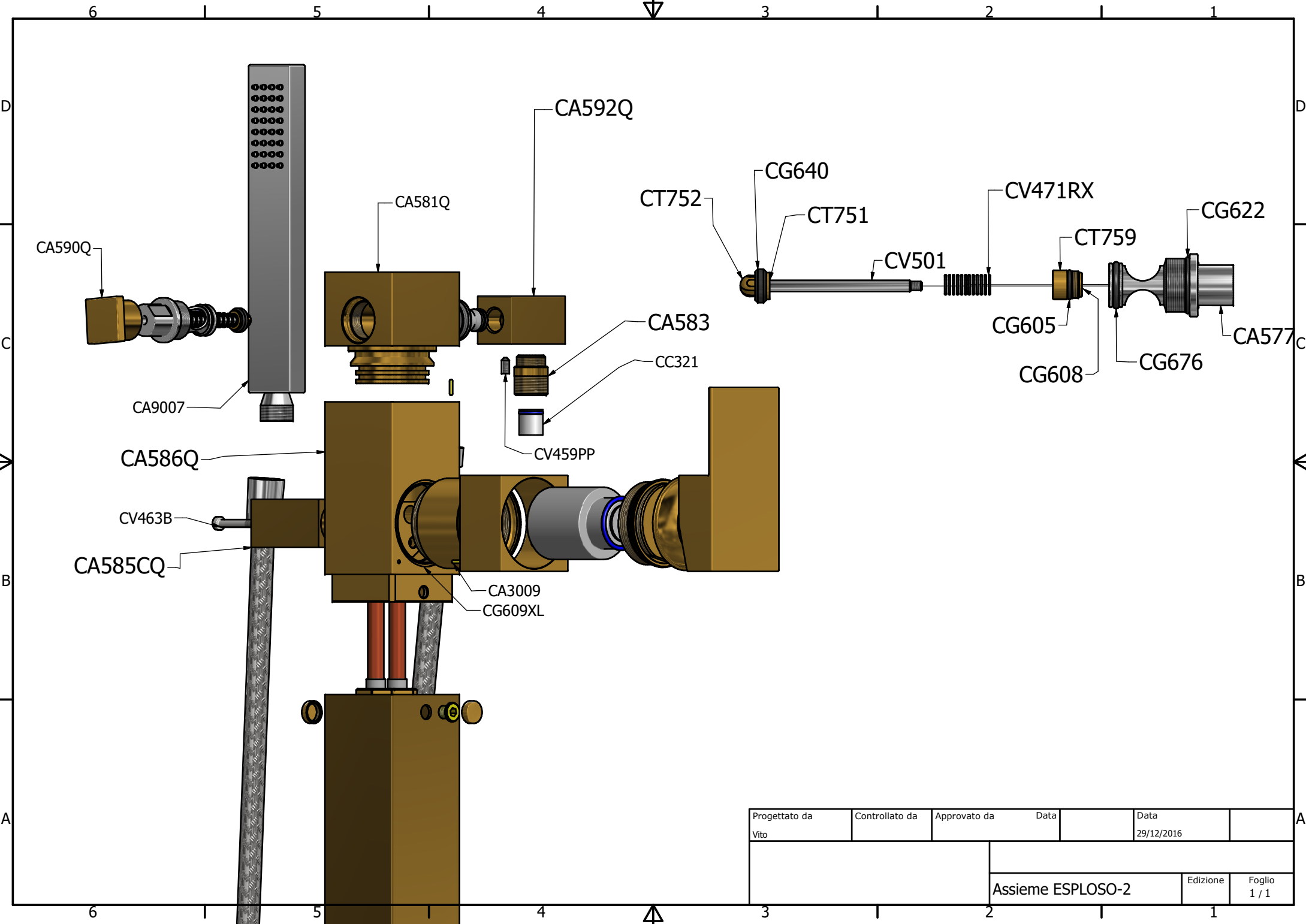
www.santecfaucet.com | P: 310.542.0063 F: 310.542.5681



Progettato da	Controllato da	Approvato da	Data	Data	
Vito				29/12/2016	
			Assieme ESPLOSO		Edizione
					Foglio 2 / 2



Progettato da	Controllato da	Approvato da	Data	Data
Vito				29/12/2016
			Assieme ESPLOSO-1	Edizione
				Foglio 2 / 2



Progettato da	Controllato da	Approvato da	Data	Data	
Vito				29/12/2016	
			Assieme ESPLOSO-2		
			Edizione	Foglio	
				1 / 1	

CODE NUMBER	QTY	
CA3009	3	S/STEEL PIN Ø2
CA576Q	1	BASEMENT COVER PLATE SQUARE 160X160
CA577	1	DIVERTER BODY WITH WASHER (SPEC LIST BELOW)
CA579K	1	BASEMENT MAIN BODY Ø80
CA580	1	BASEMENT FLANGE Ø140
CA581Q	1	DIVERTER AND SPOUT HOLDER
CA583	1	SHOWER HOSE CONNECTION 18/1-1/2"
CA585CQ	1	SHOWER HOLDER Q30
CA586Q	1	FAUCET BODY Q60
CA588	1	SHOWER ELBOW NIPPLE
CA589N	1	CARTRIDGE HUB
CA590Q	1	DIVERTER KNOB SQUARE
CA592Q	1	SHOWER ELBOW WATER SUPPLY SQUARE
CA593	2	COVER NUT
CA593P	2	NUT
CA600N	1	CARTRIDGE HOLDER NUT
CA601Q	1	FREE STANDING COLUMN Q60
CA602	2	1/2" G NIPPLES
CA6025Q	1	CARTRIDGE HOUSING
CA602NPT	2	NIPPLES WATER INLET 1/2"G X 1/2"NPT
CA604	2	1/2" MF MINI BALL VALVES
CA606Q	1	CARTRIDGE HOUSE COVER
CA9007	1	SINGLE SPRAY HAND HELD SHOWER RECT,
CC321	1	CHECK VALVE
CD312	1	CERAMIC CARTRIDGE
CG578	1	OR 47,20 X 2,62
CG600	2	OR 40,92 X 2,62
CG605	3	OR WASHER 9,25 X 1,78
CG608	1	GACO WASHER
CG609XL	1	OR 53,7 X 1,78
CG622	1	OR 20,35 X 1,78
CG676	1	OR WASHER 13,94X2,62
CG677	2	OR 10,82 X 1,78
CR892	1	PLASTIC PULLING HOSE
CR895	1	HORSE SHOE TOOL
CR896C	2	12X1 X 1/2"F COPPER TUBE W/OR 9,25X1,78
CR897	2	HIGH FLOW S/STEEL HOSES 1/2" MF 585mm
CR926	1	DOUBLE LOCK SHOWER HOSE CM.150
CT759	1	GACO WASHER HOLDER
CV459	1	M5X10 S/STEEL SET SCREWS
CV459PP	1	SET SCREW M5
CV460	1	S/STEEL SET SCREW M5 X 6
CV463	1	M5 X 40 S/STEEL SCREW
CV471RX	1	DIVERTER SPRING
CV500B	2	SET SCREW M8 X 6
CV501	1	COMPLETE DIVERTER ROD WITH WASHER
CV502B	6	S/STEEL SCREW M6 X 16

CI5868	1	MASTER BOX W/ HANDLE
CI891X-L	1	BOX FOR COVER FLANGE AND HOSE
CI8912X-L	1	BOX FOR BASEMENT
CI890X-L	1	BOX FOR FAUCET
CI890XX	1	INTERIORI BOX FOR FAUCET