

SANTEC

FLUID IMAGINATION

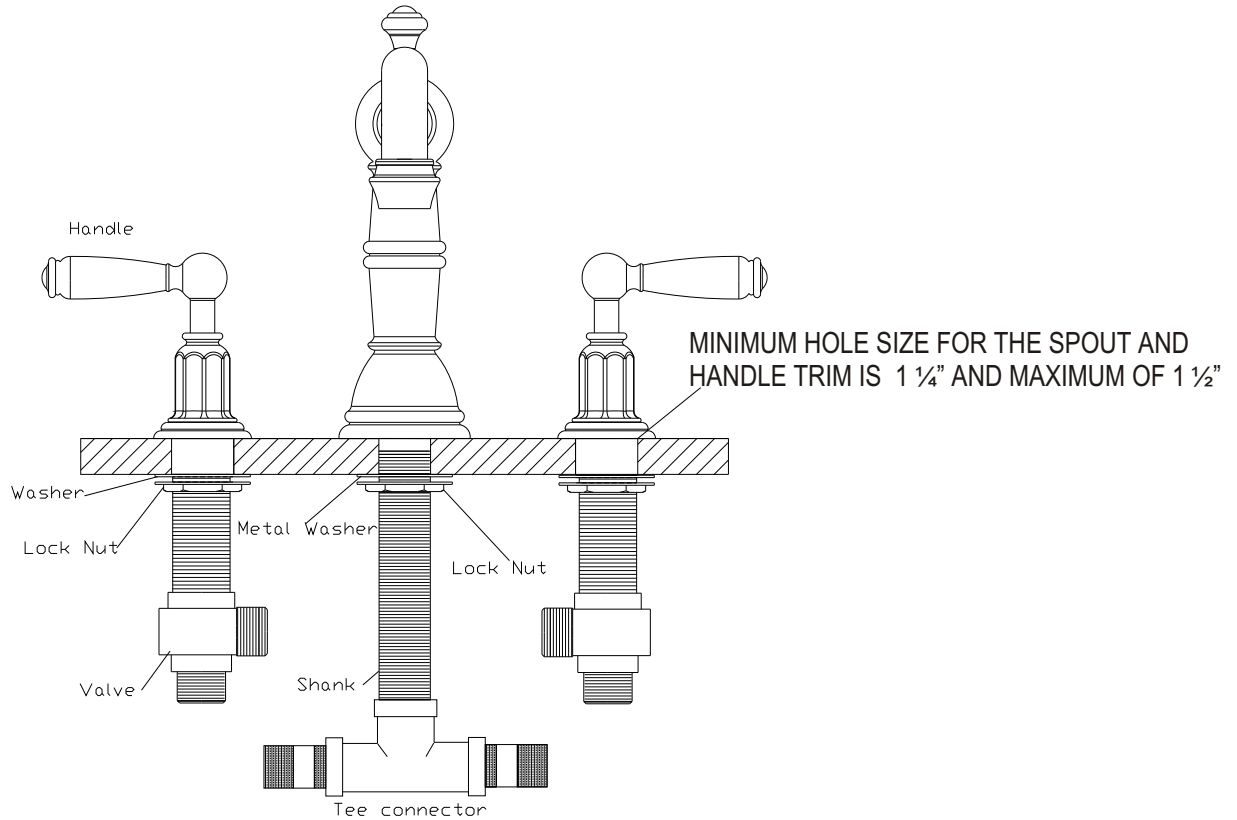
COLLECTION

ROMAN TUBS

PLEASE READ THE INSTRUCTIONS COMPLETELY
BEFORE BEGINNING THE INSTALLATION.

This is a general installation instruction
for the following collections:

- * CAPRIE
- * VANTAGE
- * DOME
- * HERITAGE



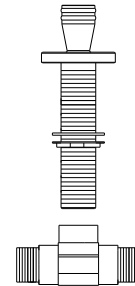
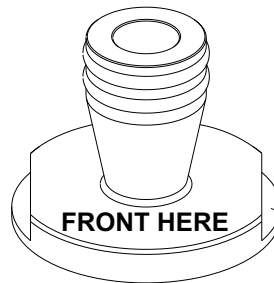
*** NOTE: SHUT OFF WATER SUPPLY BEFORE BEGINNING INSTALLATION***

SPOUT INSTALLATION

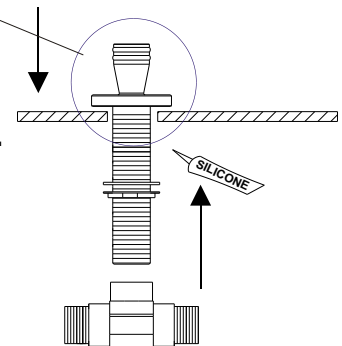
**FLUSH BOTH SUPPLY LINES BEFORE INSTALLATION.
AFTER FLUSHING, SHUT OFF BOTH SUPPLY LINES.**

**MINIMUM HOLE SIZE FOR THE SPOUT AND HANDLE TRIM IS 1-1/4"
AND MAXIMUM IS 1-1/2"**

1. Remove the tee connector and spout mounting hardware from quick connect shank being sure to leave on brass plate.

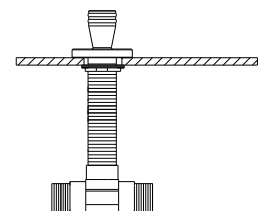
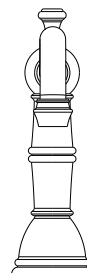


2. Apply a ring of silicone caulking around hole designated for spout. **DO NOT USE PLUMBERS' PUTTY, WHICH CAN DAMAGE FINISH.**
3. From the top of the deck, slip the quick connect shank through the assigned spout hole. **MAKE SURE THE FRONT SIDE OF THE QUICK CONNECT IS POSITIONED CORRECTLY!**



4. Secure the quick connect shank by putting the washer and lock nut back on the shank. Tighten the lock nut firmly.

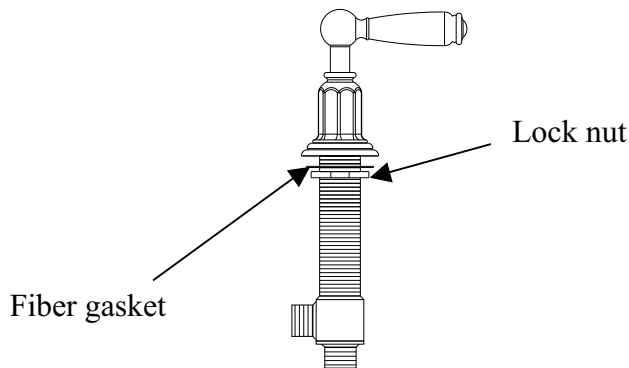
5. From the top of the deck, slip the spout with the flange and flange washer onto the quick connect shank top. Align the spout and tighten the set screw with the Allen key provided.
6. Connect the tee connector to the spout shank.



HANDLE TRIM INSTALLATION

Step 1

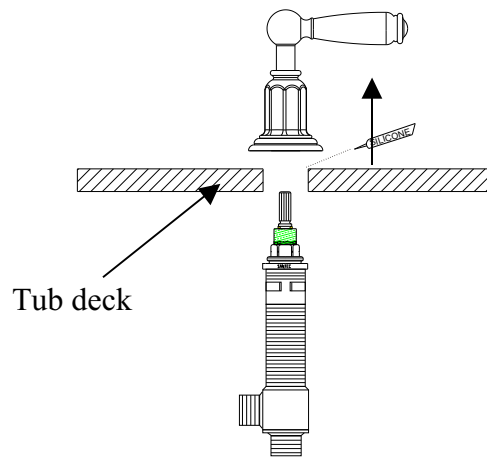
Unscrew pre-assembled handle trim from the valve body. Hot valve assembly "Red" to be mounted on left. Cold valve assembly "Blue" to be mounted on right.



Step 2

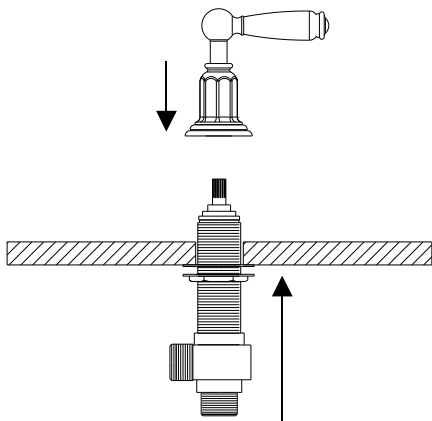
Apply a ring of silicone caulking around the handle hole on deck top.

DO NOT USE PLUMBERS' PUTTY, WHICH CAN DAMAGE FINISH.



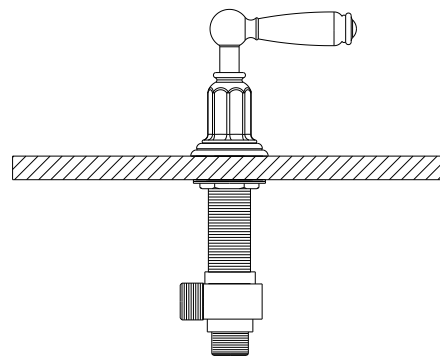
Step 3

Slip valve body up from below tub deck. Reattach pre-assembled handle trim to the valve body.



Step 4

Align handles with respect to the spout and tighten bottom lock nut until secure.

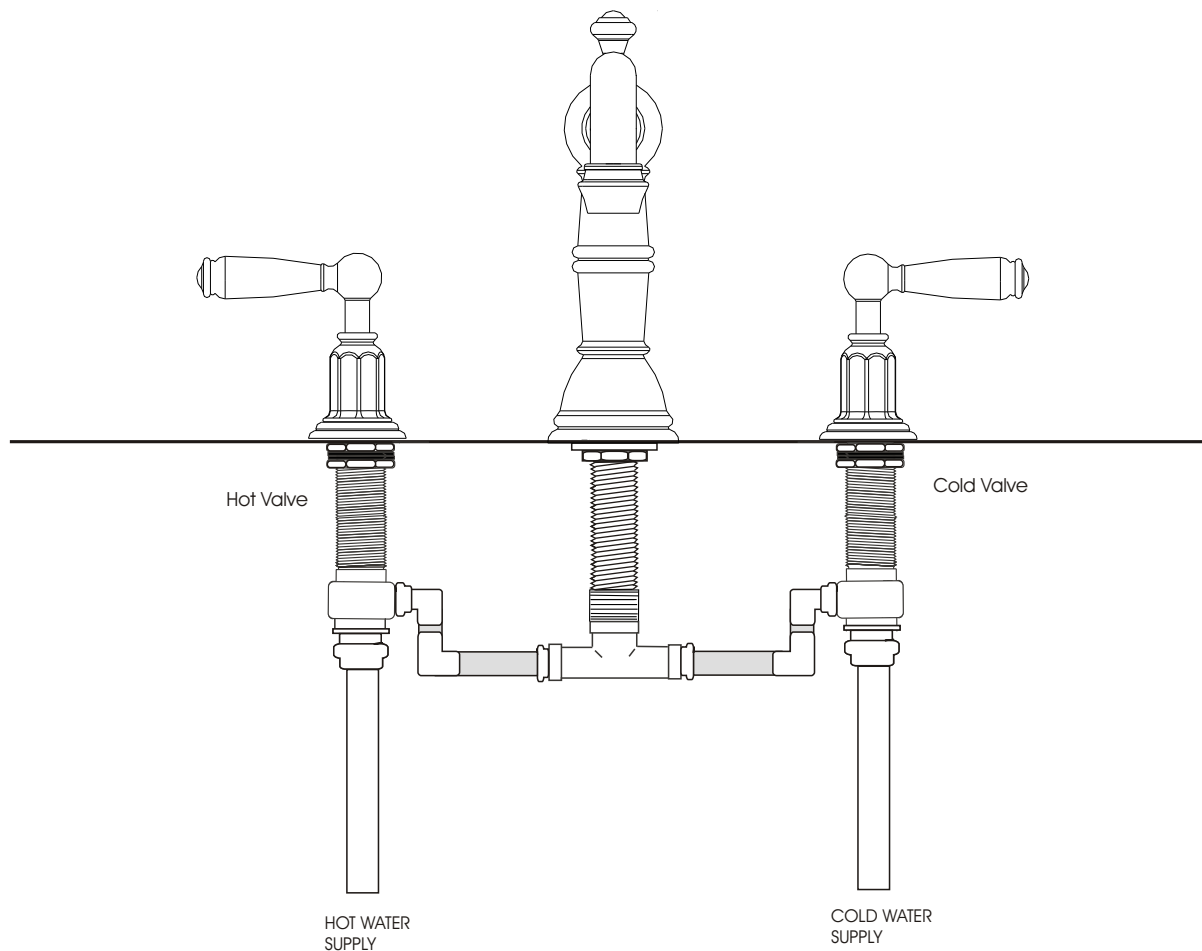


WATER TEST

- Turn on the cold water supply.
- Use the handle from the faucet set to turn the valve on and off.
- Check for leaks. If water leaks from any of the connections merely tighten the connections until the leak stops.
- Repeat the same procedure for the hot water supply.

SANTEC RECOMMENDS:

- The use of teflon tape or equivalent on all threaded joints.
- The installation of hard plumbing, not flex connections for all connections.
- An access panel provided for all roman tub installations.





SANTEC LIFETIME LIMITED WARRANTY

- 1. Finishes:** Santec **Polished Chrome, Polished Orobrass and Satin Nickel** finishes carry a **Lifetime Limited** warranty against manufacturing defects and tarnish to the original purchaser with the exclusion of kitchen drain assemblies which, due to the nature of their use, are not warranted. Santec **recommended custom finishes** carry a ten (10) years limited warranty against manufacturing defects and tarnish to the original purchaser with the exclusion of kitchen and pop - up drain assemblies which, due to the nature of their use, are not warranted.
- 2. Cartridges:** Santec Cartridges carry a lifetime limited warranty against manufacturing defects for the life of the product to the original purchaser.
- 3. Parts:** Santec parts carry a Ten (10) year limited warranty against manufacturing defects, to the original purchaser.
- 4. Warranty exclusions and limitations :** This warranty does not cover: damage due to negligence, accident, abuse, improper installation, or improper maintenance such as, but not limited to: heat from soldering during installation, the use of plumbers putty, damage from tools used during installation, the use or exposure to chemicals or cleaning products either abrasive or non abrasive or the use of any cleaning tool or product other than a soft, clean cloth. This warranty does not cover: changes in the finish or in the product due to normal wear or aging and does not cover any product or parts which have been altered or used in a manner not typical for the product. **This warranty does not cover and Santec will not be held liable for damage to products caused by the freight carrier and a claim should be made immediately to the freight carrier should this occur.** This warranty does not cover any cost involved in the installation, repair, or replacement of any Santec product or part. This warranty does not cover and Santec will not be held liable for any loss, damages, or expenses, incidental or consequential whatsoever, originating from the purchase, installation, use, repair, failure, or replacement of any Santec product or part, as allowed by law. The product or components of the covered product will either be repaired, refinished or replaced, at the sole discretion of Santec. Santec reserves the right to examine any product claimed defective prior to any warranty claim being accepted or processed, at its sole discretion. This warranty gives you specific legal rights and you may have other rights which may vary from state to state.

Effective **10/01/03** - Replaces and supersedes any previously issued warranty.

FINISH CARE INFORMATION

For clear coated or enamel color finishes:

We recommend that all faucets, drains, etc. be gently wiped dry with a soft cloth after use to avoid water spotting and water deposit buildup. A mild liquid hand soap, such as Ivory may be used occasionally if desired. Use of a non -abrasive carnauba wax will add protection to the finish and should be used if the faucets will not be dried after use. Santec Orobrass kitchen products are clear coated.

For non-clear coated and specialty finishes:

We recommend that all faucets, drains, etc. be gently wiped dry with a soft cloth after use to avoid water spotting and water deposit buildup. Use of a non-abrasive carnauba wax is required occasionally.

Santec has obtained applicable code (standards) listings generally available on a national basis for products of this type. It is the responsibility of the installer/owner to determine specific local code compliance prior to installation of the product. Santec makes no representation or warranty regarding, and will not be responsible for any code compliance.

Some products listed in this catalog may not be approved for use in the state of Massachusetts, check with your Local Authority or Licensed Plumber to assure code compliance.