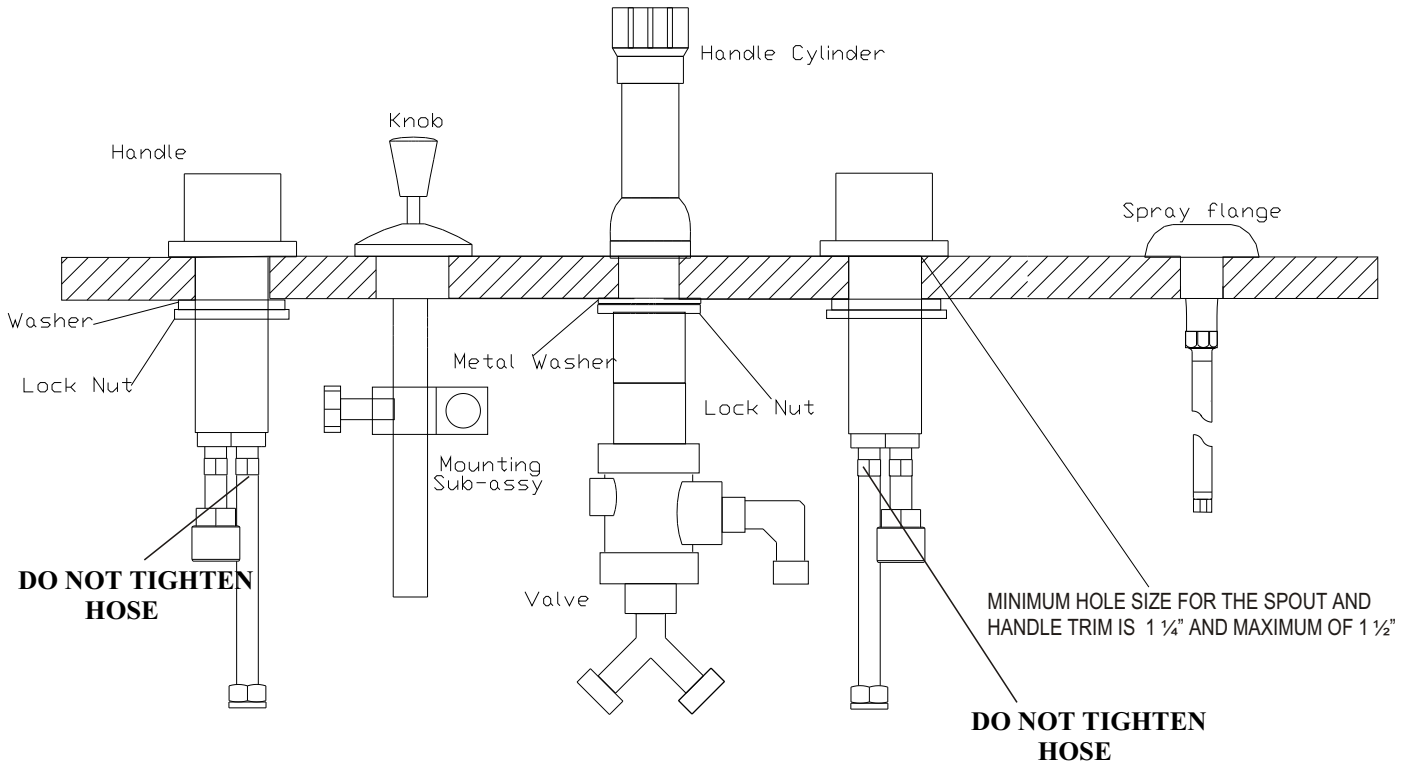


This is a general installation instruction for the following collections:

- * MONZA
- * NOVO

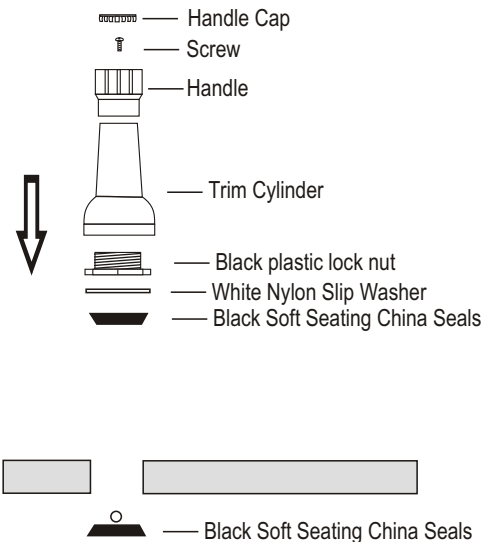
PLEASE READ THE INSTRUCTIONS COMPLETELY BEFORE BEGINNING THE INSTALLATION.



*** NOTE: SHUT OFF WATER SUPPLY BEFORE BEGINNING INSTALLATION***

VACUUM BREAKER INSTALLATION

- Remove complete trim from vacuum breaker valve.
Install bidet elbow into threaded outlet.
Insert gasket into bidet wye and thread onto bottom of vacuum breaker valve.
Remove black plastic lock nut, nylon slip washer and one black self-seating china seal.
- Insert diverter valve body up from below and reinstall black self-seating china seal, nylon slip washer and black plastic lock nut being sure to tighten firmly by hand.
- Thread trim cylinder onto vacuum breaker valve and tighten firmly. Place handle on top and secure with brass screw. Insert handle cap with arrow facing towards front of bidet.



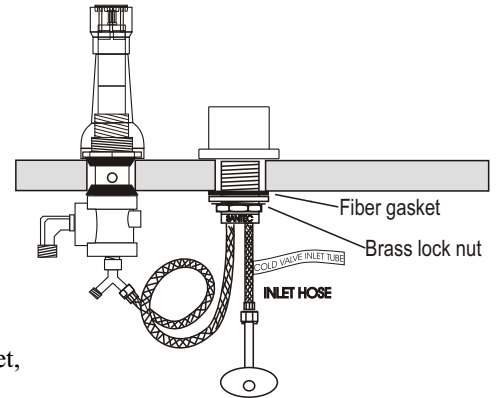
KEEP THIS INSTRUCTION BOOKLET FOR FUTURE REFERENCE

INSTALLATION INSTRUCTIONS

HANDLE TRIM INSTALLATION

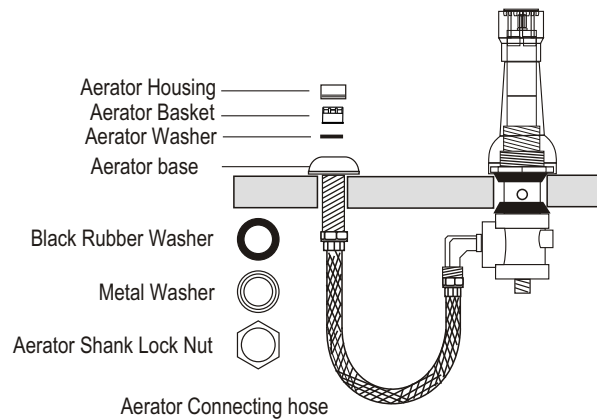
HANDLE TRIM IS READY FOR DROP IN INSTALLATION.
DO NOT DISSASSEMBLE.

- Remove the valve body mounting hardware from valve body.
Hot valve assembly “Red” to be mounted on left.
Cold valve assembly “Blue” to be mounted on right.
- Apply a ring of silicone caulking around the handle hole on bidet top.
DO NOT USE PLUMBERS' PUTTY, WHICH CAN DAMAGE FINISH.
- Slip valve through appropriate hole on top of bidet. Reinstall valve body mounting hardware, fiber washer and valve body locknut. Align handles with respect to the bidet, and tighten valve body locknut until secure.
- Aim outlet hoses towards bidet wye and attach securely to avoid leakage.



SPRITZER INSTALLATION

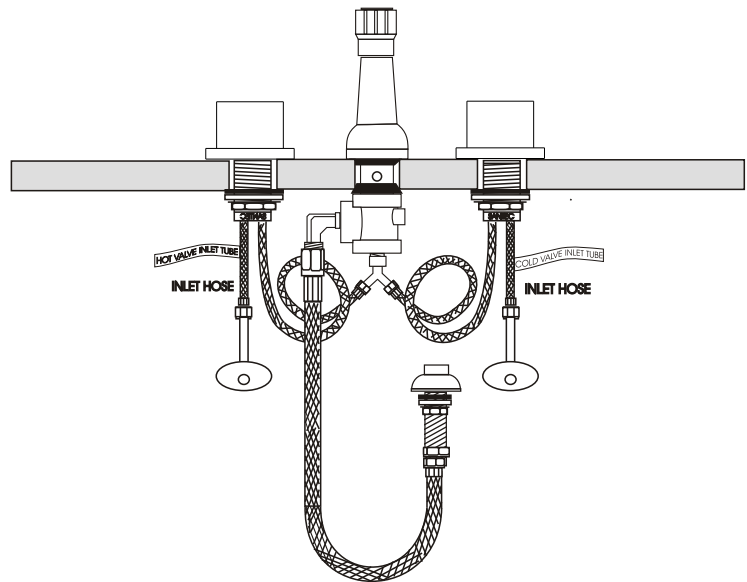
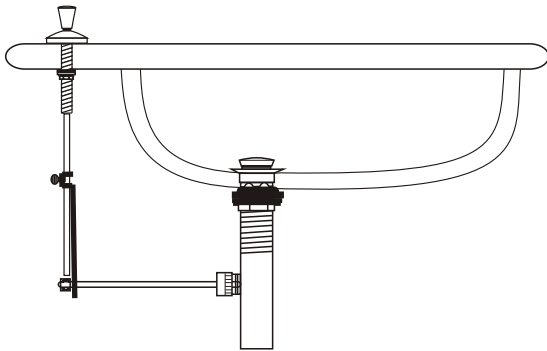
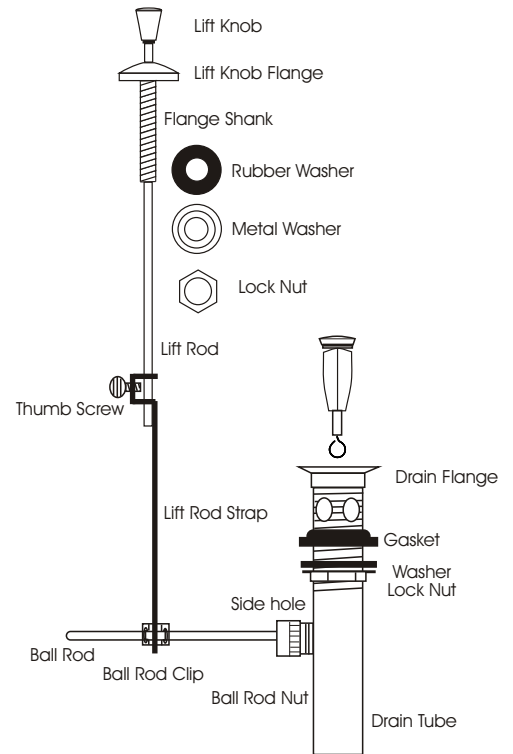
- Apply a ring of silicone caulking around hole designated for spritzer application.
DO NOT USE PLUMBERS' PUTTY, WHICH CAN DAMAGE FINISH.
- Drop spritzer through the appropriate hole in bidet, attach mounting hardware and tighten to avoid leakage.
- Attach 24” hose from spritzer to bidet elbow and tighten to avoid leakage.



INSTALLATION INSTRUCTIONS

POP-UP INSTALLATION

- Remove decorative drain flange and drain plug from pop-up assembly.
- Apply a ring of silicone caulking to underside of decorative drain flange.
DO NOT USE PLUMBERS' PUTTY, WHICH CAN DAMAGE FINISH.
- Insert threaded end of the assembly up from below bidet.
Completely thread drain body into decorative drain flange and align with ball rod hole facing back and tighten lock nut from below.
- Insert drain plug into decorative drain flange with adjustable eye-screw facing back. Attach ball rod washers and ball rod nut to horizontal ball rod and install into drain body. Do not over tighten, ball rod must operate freely.
- Drop lift knob flange through appropriate hole in bidet and attach mounting hardware.
- Insert lift rod and knob through lift knob flange, lift rod strap and tighten thumbscrew.
- Gently push the horizontal ball rod down to place the drain plug in the up position.
- Slip one leg of ball rod clip off horizontal ball rod and insert lift rod strap, reattach leg of ball rod clip.
- Test pop-up for smooth operation and adjust if necessary.



FLUSH THE LINE

- After all connections have been made from inlet supplies to angle stops, remove the spritzer housing, basket and washer.
- Open both hot and cold valves. Slowly open angle stops from below and flush the lines for approximately 45 seconds to clear any debris.
- Turn water off and reinstall spritzer housing, basket and washer.



SANTEC LIFETIME LIMITED WARRANTY

1. **Finishes:** Santec **Polished Chrome** and **Polished Orobrass** finishes carry a **Lifetime Limited** warranty against manufacturing defects and tarnish to the original purchaser with the exclusion of kitchen drain assemblies which, due to the nature of their use, are not warranted. Santec **recommended custom finishes** carry a ten (10) years limited warranty against manufacturing defects and tarnish to the original purchaser with the exclusion of kitchen and pop-up drain assemblies which, due to the nature of their use, are not warranted.
2. **Cartridges:** Santec Cartridges carry a lifetime limited warranty against manufacturing defects for the life of the product to the original purchaser.
3. **Parts:** Santec parts carry a Ten (10) year limited warranty against manufacturing defects, to the original purchaser.
4. **Warranty exclusions and limitations :** This warranty does not cover: damage due to negligence, accident, abuse, improper installation, or improper maintenance such as, but not limited to: heat from soldering during installation, the use of plumbers putty, damage from tools used during installation, the use or exposure to chemicals or cleaning products either abrasive or non abrasive or the use of any cleaning tool or product other than a soft, clean cloth. This warranty does not cover: changes in the finish or in the product due to normal wear or aging and does not cover any product or parts which have been altered or used in a manner not typical for the product. **This warranty does not cover and Santec will not be held liable for damage to products caused by the freight carrier and a claim should be made immediately to the freight carrier should this occur.** This warranty does not cover any cost involved in the installation, repair, or replacement of any Santec product or part. This warranty does not cover and Santec will not be held liable for any loss, damages, or expenses, incidental or consequential whatsoever, originating from the purchase, installation, use, repair, failure, or replacement of any Santec product or part, as allowed by law. The product or components of the covered product will either be repaired, refinished or replaced, at the sole discretion of Santec. Santec reserves the right to examine any product claimed defective prior to any warranty claim being accepted or processed, at its sole discretion. This warranty gives you specific legal rights and you may have other rights which may vary from state to state.

Effective **01/01/03** - Replaces and supersedes any previously issued warranty.

FINISH CARE INFORMATION

For clear coated or enamel color finishes:

We recommend that all faucets, drains, etc. be gently wiped dry with a soft cloth after use to avoid water spotting and water deposit buildup. A mild liquid hand soap, such as Ivory may be used occasionally if desired. Use of a non-abrasive carnauba wax will add protection to the finish and should be used if the faucets will not be dried after use. Santec Orobrass kitchen products are clear coated.

For non-clear coated and specialty finishes:

We recommend that all faucets, drains, etc. be gently wiped dry with a soft cloth after use to avoid water spotting and water deposit buildup. Use of a non-abrasive carnauba wax is required occasionally.