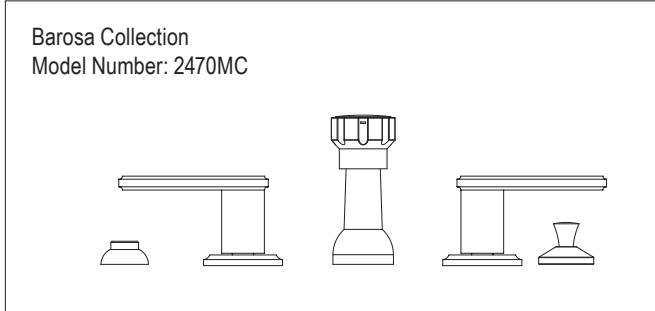


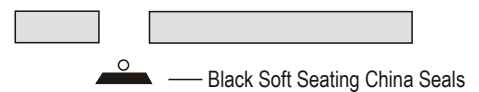
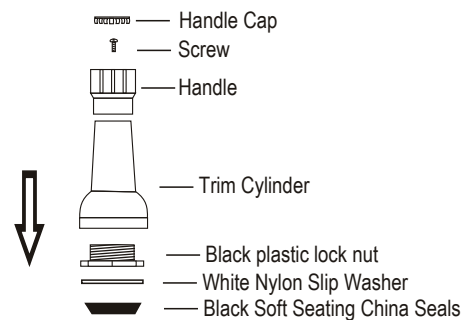
Please read the instructions completely before beginning the installation.



Flush both supply lines before installation, then shut off both supply lines.
 Minimum hole size for the spout and handle trim is 1-1/4" and maximum of 1-1/2"

VACUUM BREAKER INSTALLATION

- 1 - Remove complete trim from vacuum breaker valve.
- 2 - Install bidet elbow into threaded outlet.
- 3 - Insert gasket into bidet wye and thread onto bottom of vacuum breaker valve.
- 4 - Remove black plastic lock nut, nylon slip washer and one black self-seating china seal.
- 5 - Insert diverter valve body up from below and reinstall black self-seating china seal, nylon slip washer and black plastic lock nut being sure to tighten firmly by hand.
- 6 - Thread trim cylinder onto vacuum breaker valve and tighten firmly. Place handle on top and secure with brass screw. Insert handle cap with arrow facing towards front of bidet.



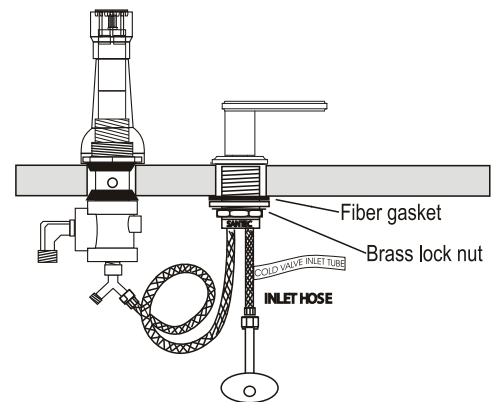
The measurements shown are for reference only. Products and specifications shown are subject to change without notice.

www.santecfaucet.com | P: 310.542.0063 F: 310.542.5681

HANDLE TRIM INSTALLATION

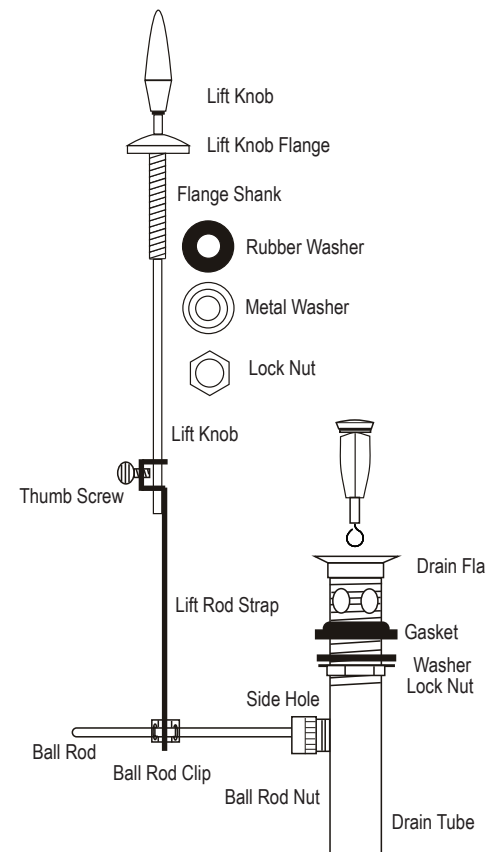
DO NOT DISASSEMBLE HANDLE ASSEMBLY - DROP-IN VALVES

- 1 - Remove the valve body mounting hardware from valve body. Hot valve assembly "Red" to be mounted on left. Cold valve assembly "Blue" to be mounted on right.
- 2 - Apply a ring of silicone caulking around the handle hole on bidet top. DO NOT USE PLUMBERS' PUTTY, WHICH CAN DAMAGE FINISH.
- 3 - Slip valve through appropriate hole on top of bidet. Reinstall valve body mounting hardware, fiber washer and valve body locknut. Align handles with respect to the bidet, and tighten valve body locknut until secure.
- 4 - Aim outlet hoses towards bidet wye and attach securely to avoid leakage.



POP-UP INSTALLATION

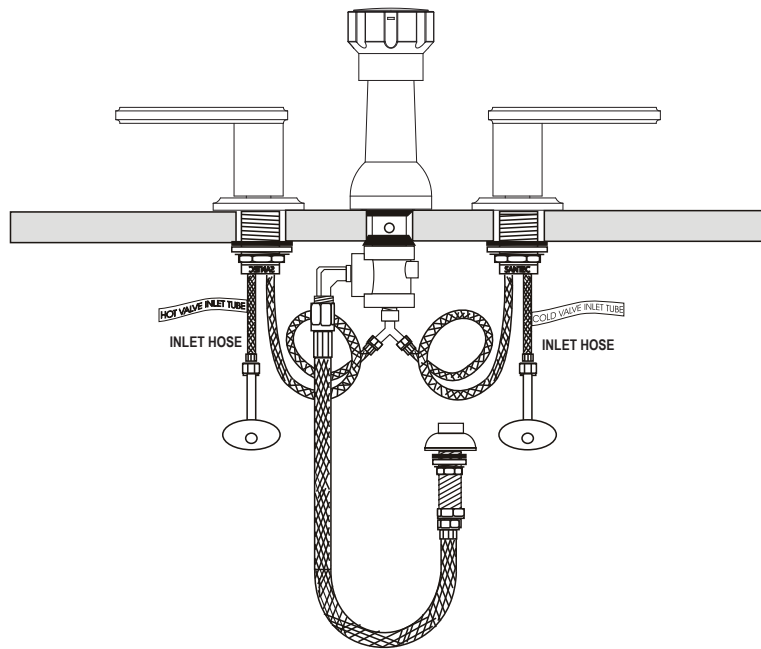
- 1 - Remove decorative drain flange and drain plug from pop-up assembly.
- 2 - Apply a ring of silicone caulking to underside of decorative drain flange. DO NOT USE PLUMBERS' PUTTY, WHICH CAN DAMAGE FINISH.
- 3 - Insert threaded end of the assembly up from below bidet. Completely thread drain body into decorative drain flange and align with ball rod hole facing back and tighten lock nut from below.
- 4 - Insert drain plug into decorative drain flange with adjustable eye-screw facing back. Attach ball rod washers and ball rod nut to horizontal ball rod and install into drain body. Do not over tighten, ball rod must operate freely.
- 5 - Drop lift knob flange through appropriate hole in bidet and attach mounting hardware. Insert lift rod and knob through lift knob flange, lift rod strap and tighten thumbscrew.
- 6 - Gently push the horizontal ball rod down to place the drain plug in the up position.
- 7 - Slip one leg of ball rod clip off horizontal ball rod and insert lift rod strap, reattach leg of ball rod clip.
- 8 - Test pop-up for smooth operation and adjust if necessary.



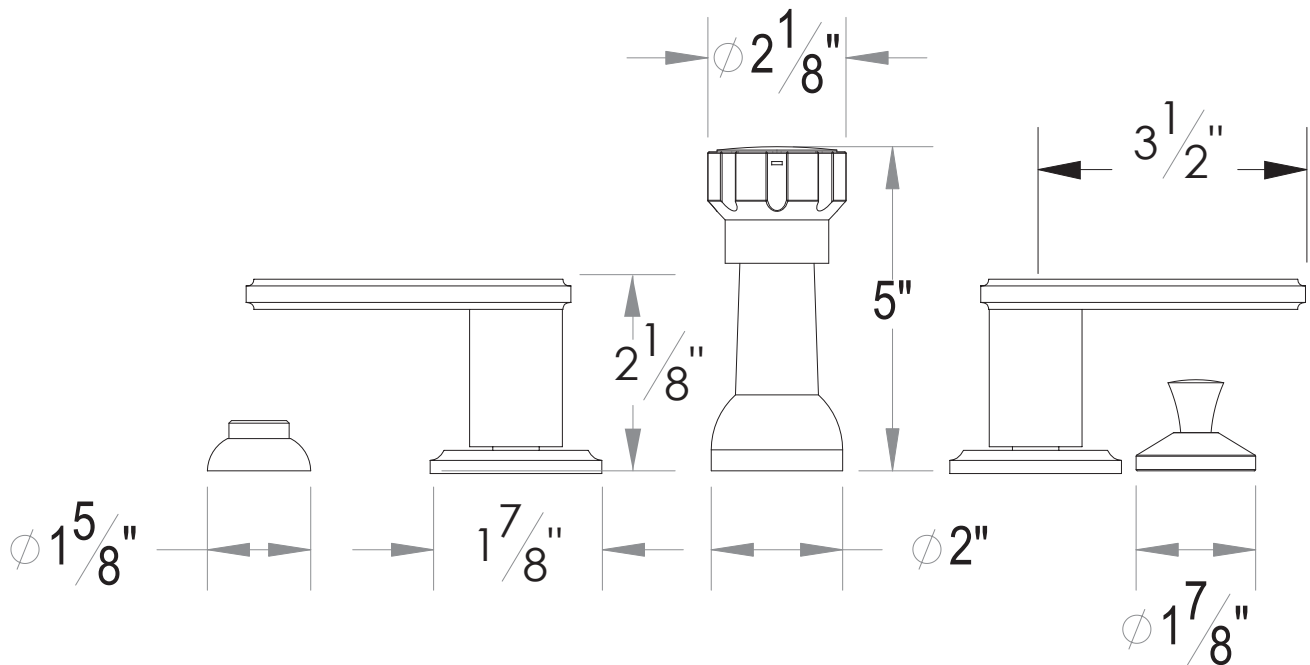
The measurements shown are for reference only. Products and specifications shown are subject to change without notice.

www.santecfaucet.com | P: 310.542.0063 F: 310.542.5681

COMPLETE ASSEMBLY



SPECIFICATION SHEETS



The measurements shown are for reference only. Products and specifications shown are subject to change without notice.

www.santecfaucet.com | P: 310.542.0063 F: 310.542.5681



FINISH CARE INFORMATION

WARNING: Do not clean your SANTEC product with ammonia (Window cleaner), bleach, soap, acids, abrasives, harsh polish, harsh cleaners, a coarse surfaced cloth, coarse sponge, or any type of scouring pad. Doing so may ruin your faucet finish and/or void the warranty.

Thank you for making SANTEC a part of your lifestyle and luxury spa experience. Our products have been created as works of enduring quality and sophisticated design.

Luxurious finishes need proper care and attention, so in order to understand how to properly clean your distinctive luxury finish, please refer to the finish care information below:

Your SANTEC product can be identified in one of two categories: clear coated finishes or non-clear coated finishes. Clear coated finishes are more scratch-sensitive and are more reactant to harsh cleaning chemicals than non-clear coated finishes. Once you have identified the specific luxury finish of your SANTEC product, please follow the important corresponding care instructions.

CLEAR COATED FINISHES

We recommend that all faucets, drains, etc., be gently wiped dry with a soft cloth after use to avoid water spotting and water deposit build-up. A mild liquid hand soap may be used occasionally if desired. Use of a non-abrasive carnauba wax will add protection to the finish and should be used if the faucets will not be dried after use. For clear coated finishes, it is recommended to clean your product weekly with a soft moist cloth.

NON-CLEAR COATED FINISHES

We recommend that all faucets, drains, etc., be gently wiped dry with a soft cloth after use to avoid water spotting and water deposit build-up. A mild liquid hand soap may be used occasionally if desired. Use of a non-abrasive carnauba wax is occasionally required and will add protection to the finish if the faucets will not be dried after use.

TO OBTAIN WARRANTY SERVICE

Please read 'WHAT IS COVERED BY OUR WARRANTY' and 'EXCLUSIONS AND LIMITATIONS OF WARRANTY' sections to understand what is and what is not covered. Please have ready the proof of purchase (original sales receipt), description of the problem, and carefully package the product or defective part with postage prepaid. Then, please contact your local SANTEC Showroom or write to SANTEC Technical Services.



LIFETIME LIMITED WARRANTY

SANTEC is committed to enhancing your bathroom experience by creating luxury products that will provide enduring satisfaction. Every effort has been made to satisfy the highest standards of design and production, to create lasting peace of mind for our customers. We provide the following limited warranties on our products:

LENGTH OF WARRANTY & WHO IS COVERED BY OUR WARRANTY

This warranty extends to the original consumer purchaser only and extends for as long as the original purchaser owns the product and the home in which the product is installed.

WHAT IS COVERED BY OUR WARRANTY

1. **FINISHES:** SANTEC Polished Chrome, Polished Nickel and Satin Nickel finishes carry a Lifetime Limited warranty against manufacturing defects and tarnish to the original purchaser. All other finishes carry a ten (10) year limited warranty against manufacturing defects and tarnish to the original purchaser only.
2. **CARTRIDGES:** Santec cartridges carry a lifetime limited warranty, with the exception of thermostatic and pressure balanced cartridges, which carry a three (3) year limited warranty against manufacturing defects to the original purchaser.
3. **PARTS:** Santec parts carry a 10-year limited warranty against manufacturing defects, to the original purchaser.

EXCLUSIONS & LIMITATIONS OF WARRANTY

This warranty does not cover:

1. Damage due to negligence, accident, abuse, improper installation, or improper maintenance such as, but not limited to: heat from soldering during installation, the use of plumber's putty, damage from tools used during installation, the use or exposure to chemicals or cleaning products either abrasive or non-abrasive, or the use of any cleaning tool or product other than a soft, clean cloth. Reverse osmosis may also shorten the life of the finish.
2. Changes in the finish or in the product due to normal wear or aging does not cover any products or parts which have been altered or used in a manner not typical for the product.
3. Loss, damages, or expense, incidental or consequential whatsoever, originating from the purchase, installation, use, repair, failure, or replacement of any SANTEC product or part, allowed by law.
4. Commercial and/or Industrial installations and use of the product.
5. This warranty does not include labor, travel charges, or any costs incurred for repair, removal, installation, servicing, diagnosing, or handling of either defective or replacement parts.
6. Damage or deterioration caused by environmental impacts.

SANTEC reserves the product components of the covered product will be repaired, refinished, or replaced at the sole discretion of SANTEC. SANTEC reserves the right to examine any product claimed defective prior to any warranty claim being accepted or processed, at its sole discretion. This warranty gives you specific legal rights and you may have other rights which may vary from state to state.

The measurements shown are for reference only. Products and specifications shown are subject to change without notice.

www.santecfaucet.com | P: 310.542.0063 F: 310.542.5681