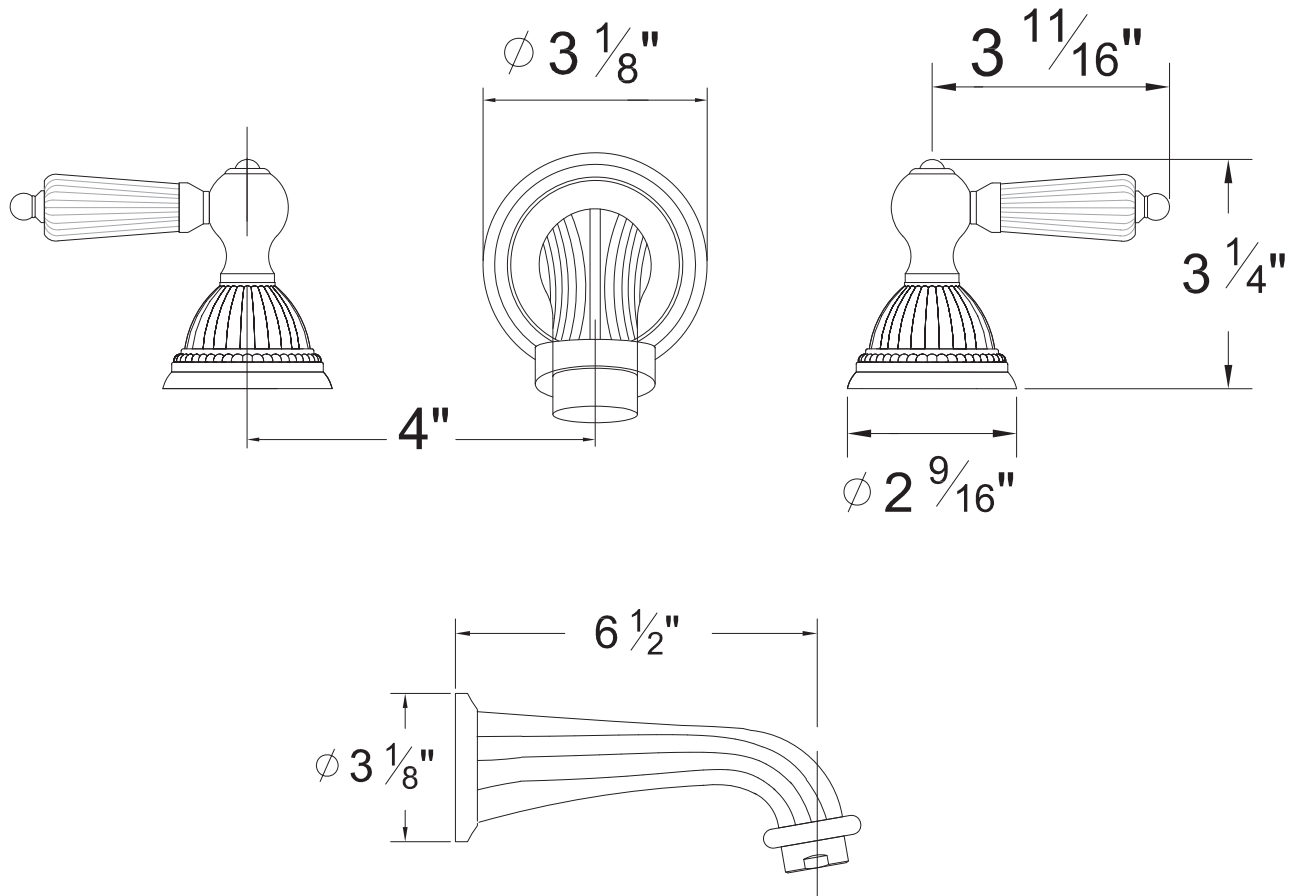


## PRODUCT SPECIFICATION SHEET

**ITEM # 1129LL-TM**  
**TRIM**  
**Wall mount Widespread lavatory set**



- "LL" style handles
- Solid brass
- 1.2 GPM (CALGreen Compliant)
- VALVES NOT INCLUDED
- USE SA-CORNER-SET
- DRAIN ASSEMBLY NOT INCLUDED
- Pre-assembled handles
- 22 finishes available



The measurements shown are for reference only. Products and specifications shown are subject to change without notice.