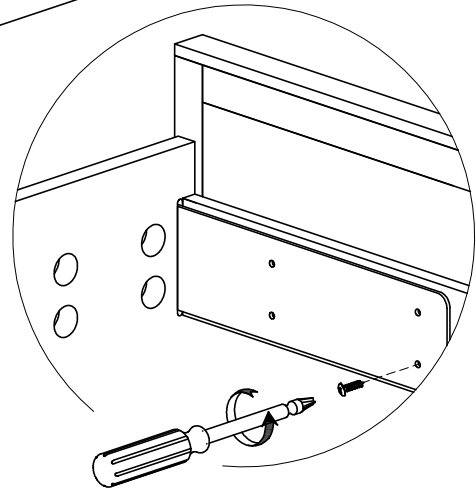
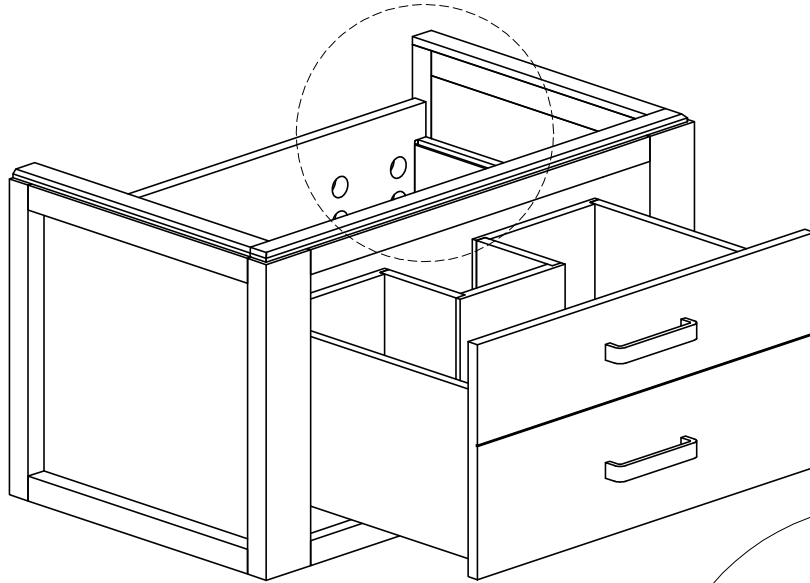




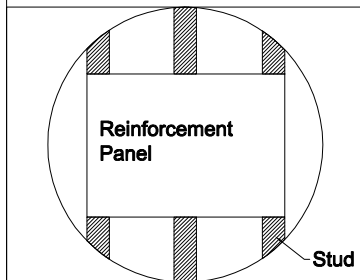
FAIRMONT
designs®

1530-WV3018

Step 1 Pull out drawer. Detach mounting brackets from vanity



Cut opening in wall



Reinforcement Panel
* Large enough to cover 2 studs
* Not provided by manufacturer

PARTS INCLUDED				TOOLS AND MATERIALS		
1		50*50x50 mm	2 PCS	Screwdriver Tape measure Pencil		
2		Ø4x40 mm	10 PCS			
3		Ø4x20 mm	2 PCS			

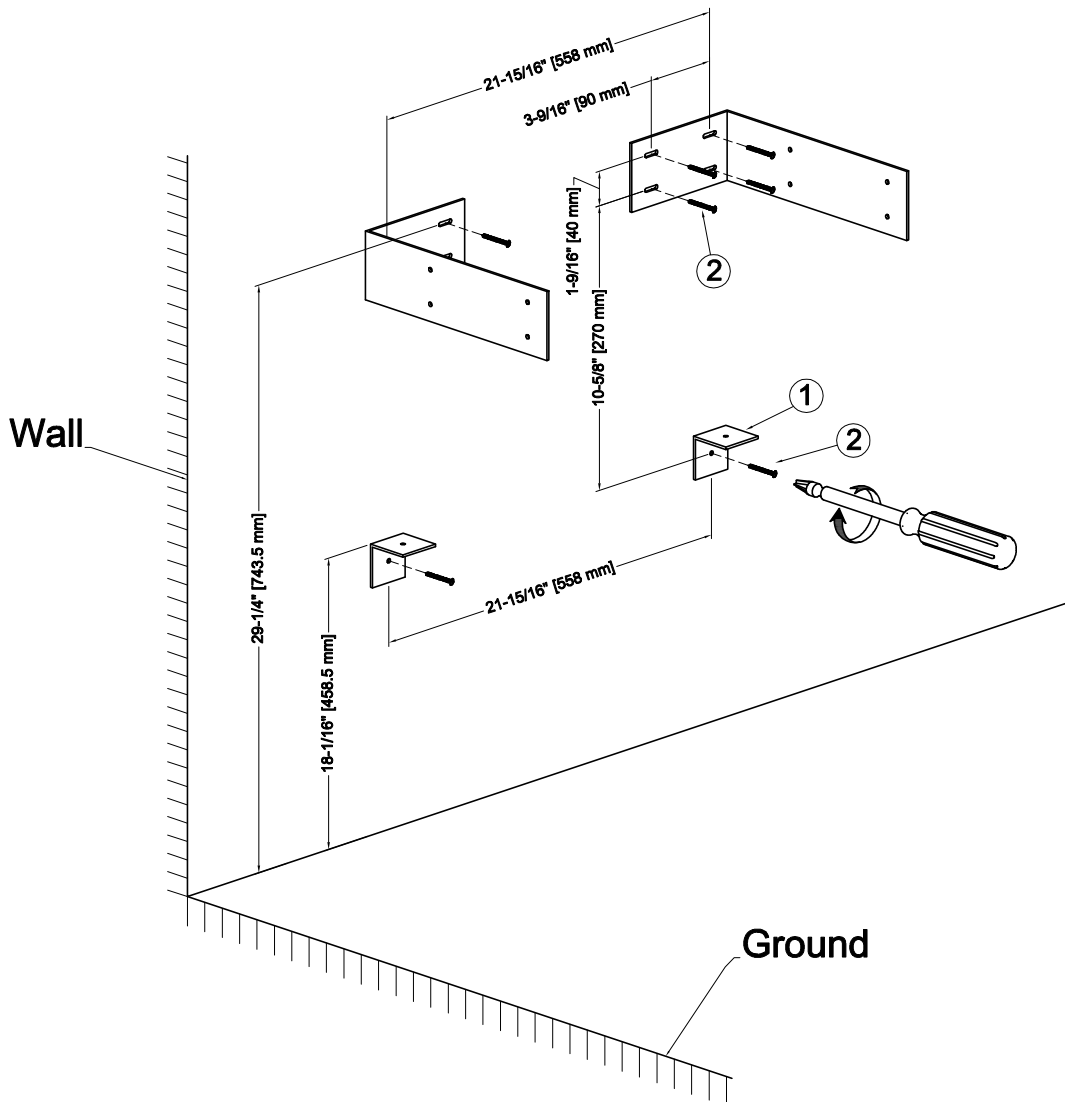
Fairmont Designs highly recommends that you seek a professional installation specialist if you are unsure of installation. Please note: Fairmont Designs is not responsible for any installation error, damages, or injuries, actual or consequential, resulting from possible printing error in instructions.



FAIRMONT
designs®

1530-WV3018

Step 2 Mounting brackets must be attached to reinforcement panel



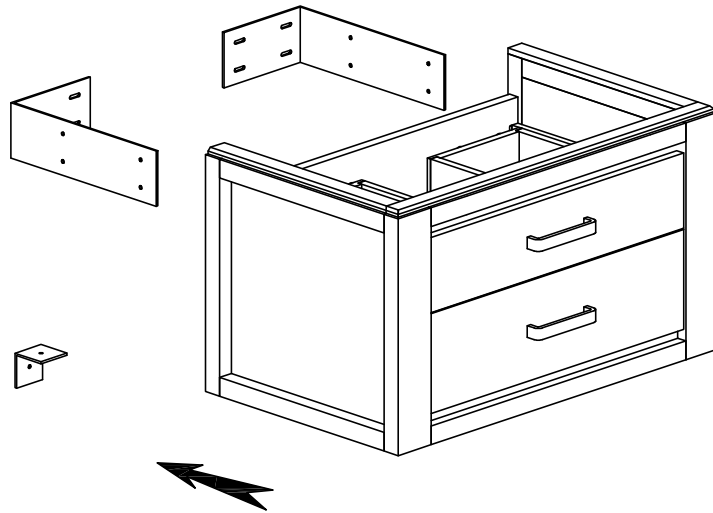
Fairmont Designs highly recommends that you seek a professional installation specialist if you are unsure of installation. Please note: Fairmont Designs is not responsible for any installation error, damages, or injuries, actual or consequential, resulting from possible printing error in instructions.



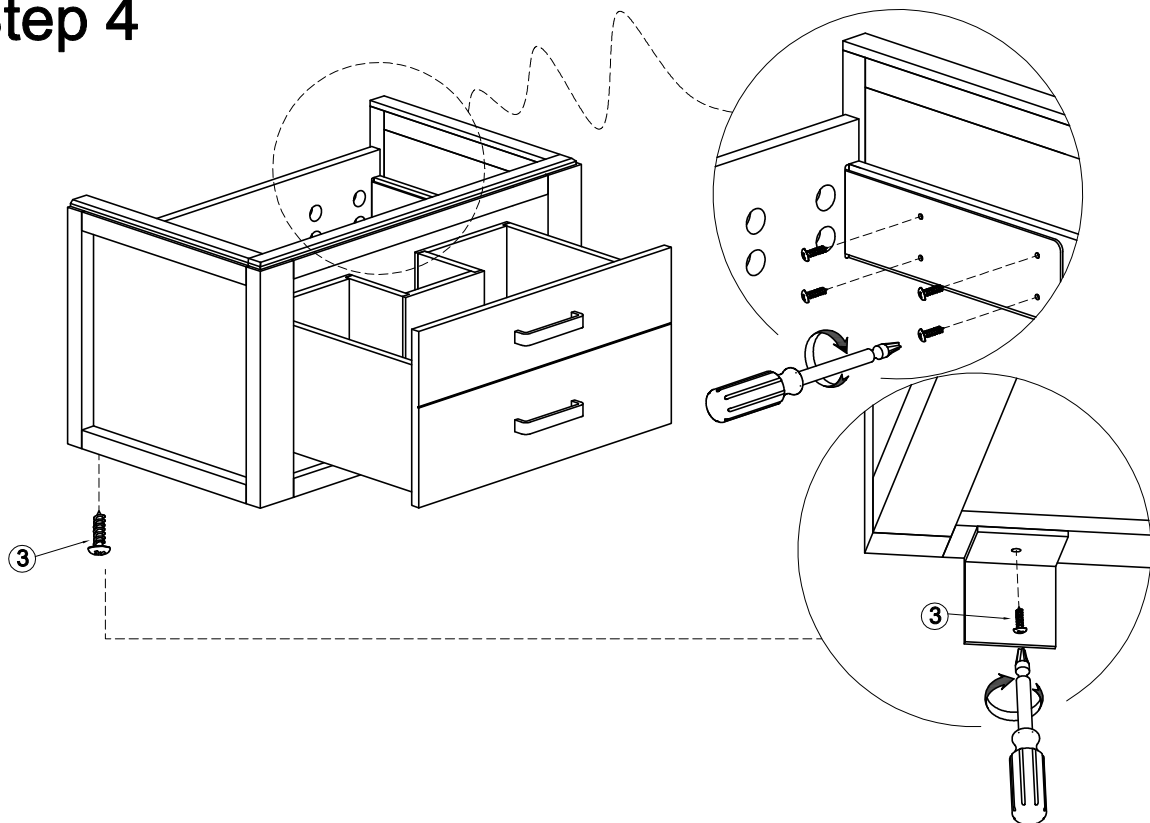
FAIRMONT
designs®

1530-WV3018

Step 3



Step 4



Fairmont Designs highly recommends that you seek a professional installation specialist if you are unsure of installation. Please note: Fairmont Designs is not responsible for any installation error, damages, or injuries, actual or consequential, resulting from possible printing error in instructions.