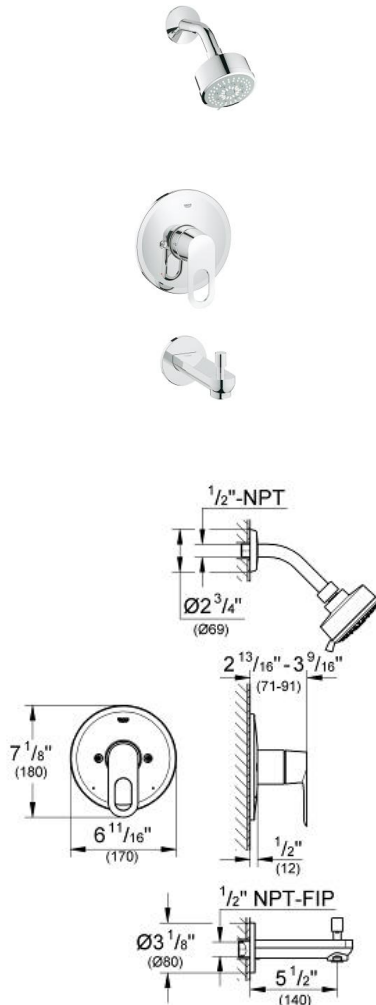


BAULOOP
MODEL # 26017000

GROHE CANADA, INC. | 5900 Avebury Road, Mississauga, Ontario, Canada L5R 3M3
Phone: 905-271-2929 | Fax: 905-271-9494 | info@grohe.ca

Pure Freude
an Wasser



ADA

Product Description:
BAULOOP

Standard Specification:

- Single lever valve
- For use with GrohSafe Rough-In Valve (35 015 000)
- Without concealed body
- Automatic diverter: bath/shower
- Metal lever
- Escutcheon- and shaft-sealing
- **GROHE SilkMove**
- **GROHE StarLight** chrome finish
- **GROHE EcoJoy** technology for less water and perfect flow
- **GROHE DreamSpray** perfect flow

Applicable Codes & Standards:

- Energy Policy Act of 1992
- ASME A112.18.1/CSA B125.1
- ICC/ANSI A117.1

Color:

- 26017000 StarLight Chrome