

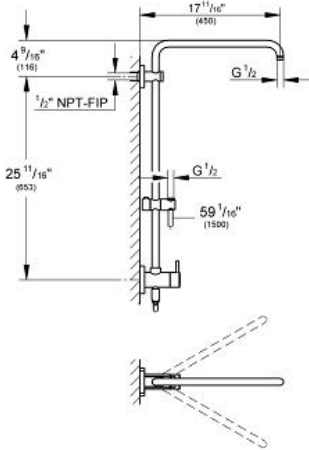
GROHE RETRO-FIT Shower System*

MODEL # 27920

Pure Freude an Wasser

GROHE

GROHE America, Inc | 200 North Gary Avenue, Suite G, Roselle, IL 60172
Phone: +1 (800) 444-7643 | Fax: +1 (800) 225-2778 | us-customerservice@grohe.com



Product Description: Shower System*

Standard Specification:

- Consisting of:
- Horizontal 45° swivel 17 11/16" shower arm
- Switch between hand shower and shower head via built-in diverter
- Adjustable height bar with gliding element
- Metal shower hose 59" (28 417)
- Angle adapter
- **GROHE StarLight®** finish
- Rotation cone for Twist-free function
- **Suitable for instantaneous heaters from 18 kW/h**
- Max Flow Rate: 2.0 gpm (7.6 l/min)

Applicable Codes & Standards:

- Energy Policy Act of 1992
- ASME A112.18.1/CSA B125.1

Color:

- 27920 000 chrome