

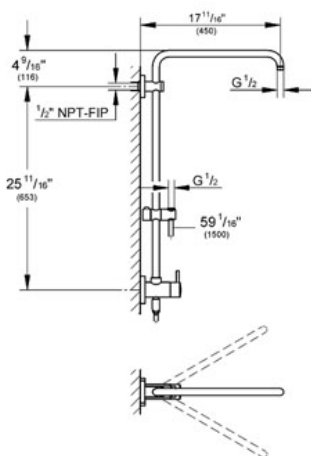
GROHE RETRO-FIT Shower System*

27868

Pure Freude an Wasser



GROHE America, Inc | 200 North Gary Avenue, Suite G, Roselle, IL 60172
Phone: +1 (800) 444-7643 | Fax: +1 (800) 225-2778 | us-customerservice@grohe.com



Shower System*

- GROHE StarLight® finish

Consisting of:

- Wall mount
- Horizontal swivel 17 11/16" shower arm
- Gliding element
- 59" metal shower hose (28 417 000)
- Built-in diverter allows change between: head shower and hand shower
- Rotation cone for Twistfree-function
- Suitable for instantaneous heaters from 18 kW/h
- Max Flow Rate 2.5 gpm (9.5 L/min)
- Angle adapter
- Max Flow Rate 2.5 gpm at 80 psi (9.5 L/min)

Color:

- 27868 000 chrome