

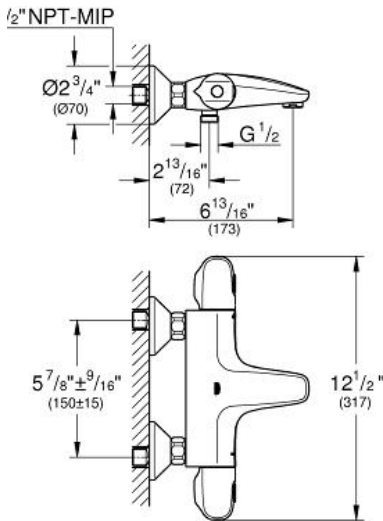
GROHTHERM 1000 NEW Thermostatic bath mixer 1/2"

MODEL # 34159003

Pure Freude an Wasser

GROHE

GROHE America, Inc | 200 North Gary Avenue, Suite G, Roselle, IL 60172
Phone: +1 (800) 444-7643 | Fax: +1 (800) 225-2778 | us-customerservice@grohe.com



Product Description: Thermostatic bath mixer 1/2"

Standard Specification:

- Wall mount
- **GROHE CoolTouch** safety housing
- **GROHE StarLight** finish
- **GROHE MetalGrip** ergonomically shaped metal handles
- **GROHE TurboStat** Compact cartridge with wax thermoelement
- SafeStop at 100°F
- Integrated mixed water shut off
- **GROHE AquaDimmer Eco** with multi-function: Flow control, Bath/Shower diverter and integrated GROHE EcoButton
- 1/2" Shower bottom outlet
- Built-in non-return valves
- Dirt strainers
- **Protected against backflow**
- S-union 1/2" NPT
- Metal escutcheon
- Min. recommended pressure: 15 psi
- **GROHE EcoJoy** technology for less water and perfect flow

Applicable Codes & Standards:

- ASME A112.18.1/CSA B125.1

Color:

- 34159003 003 chrome