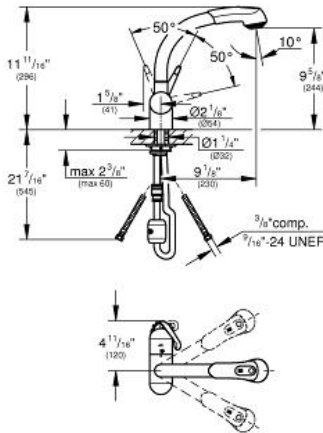


LADYLUX PLUS  
Single-lever sink mixer 1/2"  
MODEL # 33759KD0

Pure Freude an Wasser



GROHE America, Inc | 200 North Gary Avenue, Suite G, Roselle, IL 60172  
Phone: +1 (800) 444-7643 | Fax: +1 (800) 225-2778 | us-customerservice@grohe.com



**Product Description:**  
Single-lever sink mixer 1/2"

**Standard Specification:**

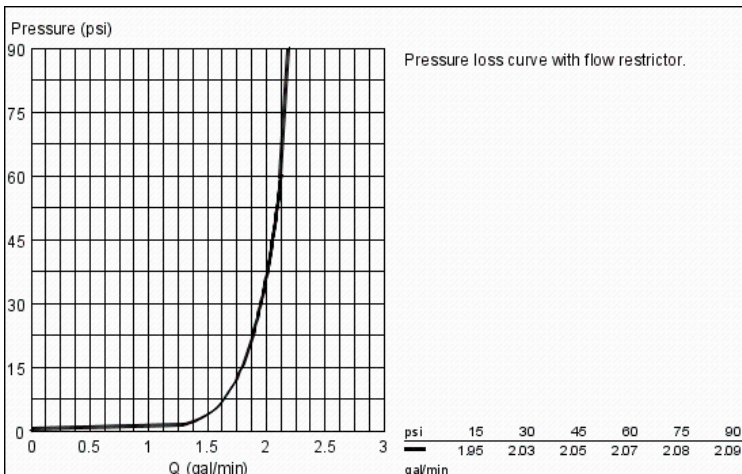
- **Dual Spray Pull-Out**
- Single hole installation
- Solid stainless steel body
- **GROHE SilkMove** ceramic cartridge
- 360° swivel spout
- Diverter: aerator/shower jet
- **SpeedClean®** anti-lime system
- **GROHE RealSteel** Stainless Steel Construction produced from Grade 304 stainless steel
- Stainless steel flexible connection hoses
- Quick installation system
- Double check valve
- Integrated flow regulating valve
- Single Lever Handle
- Variable Handle Positioning
- Spout Reach 9 1/8"
- Coordinated Ladylux Pro Design
- Forward rotation lever, does not hit backsplash
- Max Flow Rate: 1.75 gpm (6.6 L/min)

**Applicable Codes & Standards:**

- Energy Policy Act of 1992
- NSF 61
- ASME A112.18.1/CSA B125.1
- US Federal and State material regulations
- ICC/ANSI A117.1
- CalGreen

**Color:**

- 33759KD0 KD0 st.steel/black, softfeeling

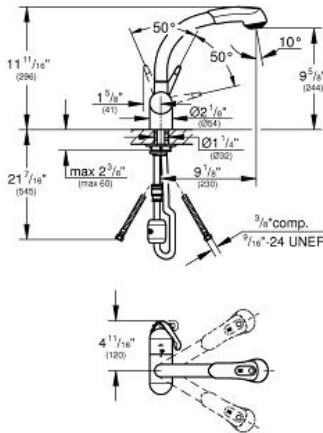


LADYLUX CAFÉ  
Single-lever sink mixer 1/2"  
MODEL # 33759SD0

Pure Freude an Wasser



GROHE America, Inc | 200 North Gary Avenue, Suite G, Roselle, IL 60172  
Phone: +1 (800) 444-7643 | Fax: +1 (800) 225-2778 | us-customerservice@grohe.com



**Product Description:**  
Single-lever sink mixer 1/2"

**Standard Specification:**

- **Dual Spray Pull-Out**
- Single hole installation
- Solid stainless steel body
- **GROHE SilkMove** ceramic cartridge
- 360° swivel spout
- Diverter: aerator/shower jet
- **SpeedClean®** anti-lime system
- **GROHE RealSteel** Stainless Steel Construction produced from Grade 304 stainless steel
- Stainless steel flexible connection hoses
- Quick installation system
- Double check valve
- Integrated flow regulating valve
- Single Lever Handle
- Variable Handle Positioning
- Spout Reach 9 1/8"
- Coordinated Ladylux Pro Design
- Forward rotation lever, does not hit backsplash
- Max Flow Rate: 1.75 gpm (6.6 L/min)

**Applicable Codes & Standards:**

- Energy Policy Act of 1992
- NSF 61
- ASME A112.18.1/CSA B125.1
- US Federal and State material regulations
- ICC/ANSI A117.1
- CalGreen

**Color:**

- 33759SD0 SD0 stainless steel, brushed

