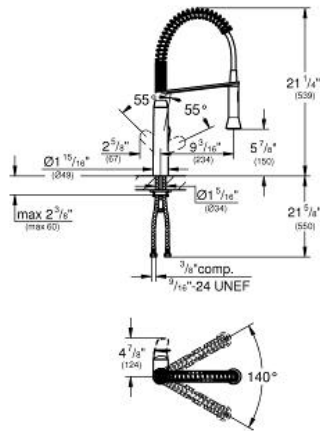


K7  
Single-lever sink mixer 1/2"  
MODEL # 31380000

Pure Freude an Wasser



GROHE America, Inc | 200 North Gary Avenue, Suite G, Roselle, IL 60172  
Phone: +1 (800) 444-7643 | Fax: +1 (800) 225-2778 | us-customerservice@grohe.com



**Product Description:**  
Single-lever sink mixer 1/2"

**Standard Specification:**

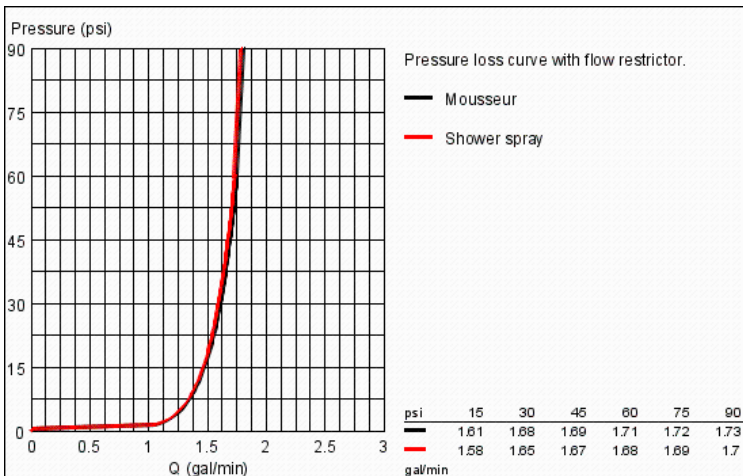
- Single hole installation
- **GROHE StarLight** finish
- **GROHE SilkMove** 35 mm ceramic cartridge
- Professional spray
- Locking Push Button Control - to switch from regular flow to spray
- Adjustable flow rate limiter
- Swivel Spout
- Swivel area 140°
- **Protected against backflow**
- Stainless steel flex lines
- Quick installation system
- Max Flow Rate: 1.75 gpm (6.6 L/min)

**Applicable Codes & Standards:**

- Energy Policy Act of 1992
- NSF 61
- ASME A112.18.1/CSA B125.1
- US Federal and State material regulations
- ICC/ANSI A117.1

**Color:**

- 31380000 000 chrome

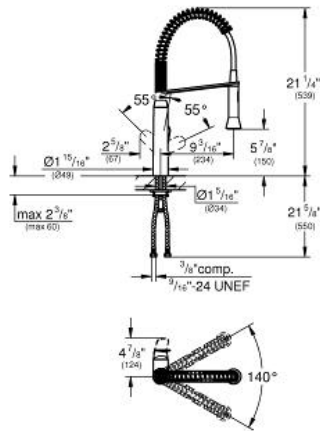


K7  
Single-lever sink mixer 1/2"  
MODEL # 31380DC0

Pure Freude an Wasser



GROHE America, Inc | 200 North Gary Avenue, Suite G, Roselle, IL 60172  
Phone: +1 (800) 444-7643 | Fax: +1 (800) 225-2778 | us-customerservice@grohe.com



**Product Description:**  
Single-lever sink mixer 1/2"

**Standard Specification:**

- Single hole installation
- **GROHE StarLight** finish
- **GROHE SilkMove** 35 mm ceramic cartridge
- Professional spray
- Locking Push Button Control - to switch from regular flow to spray
- Adjustable flow rate limiter
- Swivel Spout
- Swivel area 140°
- **Protected against backflow**
- Stainless steel flex lines
- Quick installation system
- Max Flow Rate: 1.75 gpm (6.6 L/min)

**Applicable Codes & Standards:**

- Energy Policy Act of 1992
- NSF 61
- ASME A112.18.1/CSA B125.1
- US Federal and State material regulations
- ICC/ANSI A117.1

**Color:**

- 31380DC0 DC0 supersteel

