

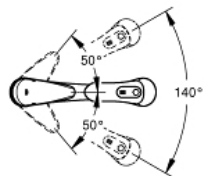
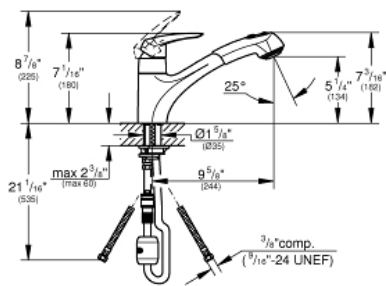
EURODISC Single-lever sink mixer 1/2"

MODEL # 33330001

Pure Freude an Wasser



GROHE America, Inc | 200 North Gary Avenue, Suite G, Roselle, IL 60172
Phone: +1 (800) 444-7643 | Fax: +1 (800) 225-2778 | us-customerservice@grohe.com



Product Description: Single-lever sink mixer 1/2"

Standard Specification:

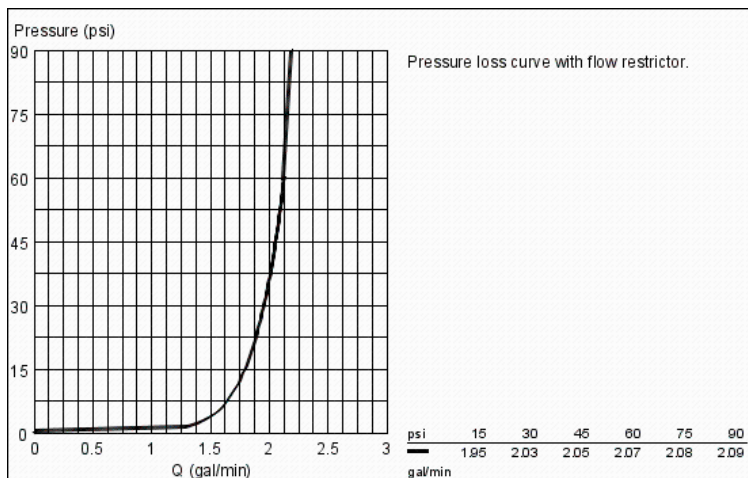
- Dual Spray Pull-Out
- Single hole installation
- GROHE SilkMove ceramic cartridge
- Adjustable flow rate limiter
- Swivel cast spout with stop limiter
- SpeedClean® anti-lime system
- Locking Dual Spray Control - switches back and forth between regular flow and spray
- Stainless steel flex lines
- Quick installation system
- Single Lever Handle
- Spout Reach 9 5/8"
- Max Flow Rate: 1.75 gpm (6.6 L/min)

Applicable Codes & Standards:

- Energy Policy Act of 1992
- NSF 61
- ASME A112.18.1/CSA B125.1
- US Federal and State material regulations
- ICC/ANSI A117.1
- CalGreen

Color:

- 33330001 001 chrome

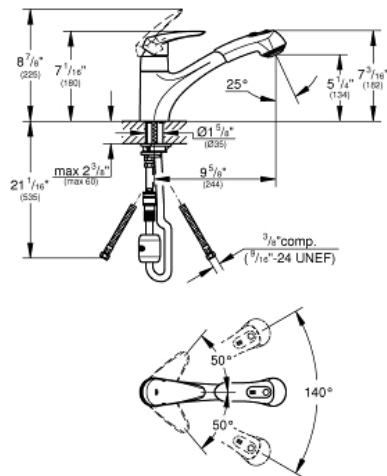


EURODISC
Single-lever sink mixer 1/2"
MODEL # 33330DC1

Pure Freude an Wasser



GROHE America, Inc | 200 North Gary Avenue, Suite G, Roselle, IL 60172
Phone: +1 (800) 444-7643 | Fax: +1 (800) 225-2778 | us-customerservice@grohe.com



Product Description:
Single-lever sink mixer 1/2"

Standard Specification:

- Dual Spray Pull-Out
- Single hole installation
- GROHE SilkMove ceramic cartridge
- Adjustable flow rate limiter
- Swivel cast spout with stop limiter
- SpeedClean® anti-lime system
- Locking Dual Spray Control - switches back and forth between regular flow and spray
- Stainless steel flex lines
- Quick installation system
- Single Lever Handle
- Spout Reach 9 5/8"
- Max Flow Rate: 1.75 gpm (6.6 L/min)

Applicable Codes & Standards:

- Energy Policy Act of 1992
- NSF 61
- ASME A112.18.1/CSA B125.1
- US Federal and State material regulations
- ICC/ANSI A117.1
- CalGreen

Color:

- 33330DC1 DC1 supersteel

