

AXOR ShowerSelect
Thermostatic Trim Square for 1 Function
 Product Finish: **chrome** Part no. : **36714001**



Features

- Thermostatic cartridge, Start/stop cartridge
- Select push-button on/off control for 1 outlet
- Flow: 7.0 GPM (26.5 L/Min)
- Optimized for water-efficient shower products
- Anti-scald 100° safety stop
- Thermostat is delivered with On/Off button

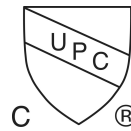
Item details

List Price \$ 1,471.00

Technology



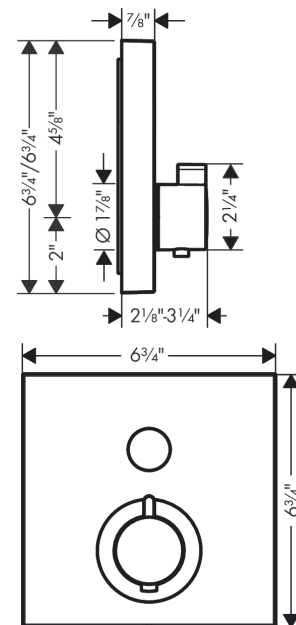
Compliance



Product image



Scale drawing

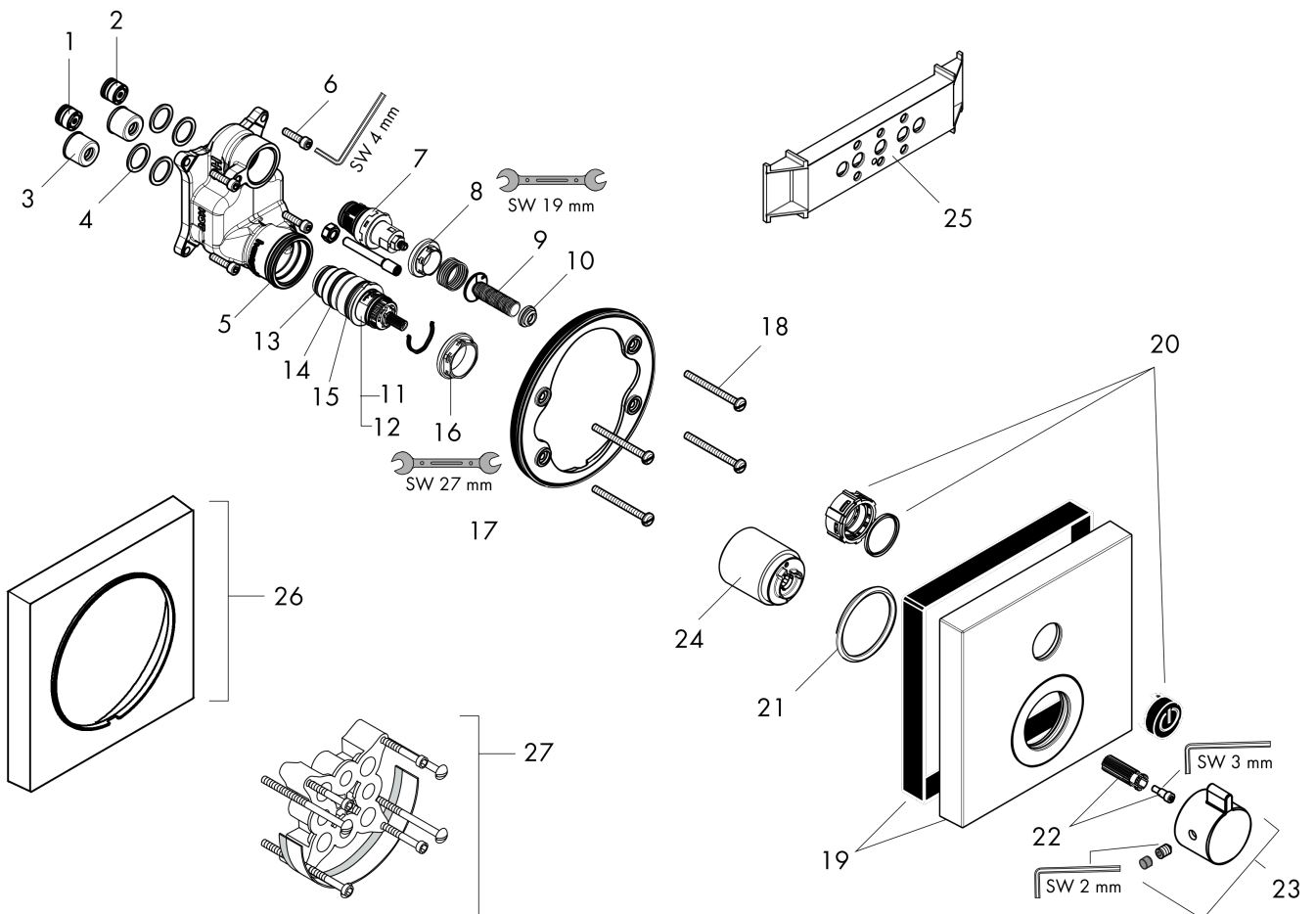


AXOR ShowerSelect
Thermostatic Trim Square for 1 Function
Product Finish: **chrome** Part no. : **36714001**



Exploded drawing

Year of production: >07/21



AXOR ShowerSelect
Thermostatic Trim Square for 1 Function
 Product Finish: **chrome** Part no. : **36714001**



Spare parts list

Year of production: >07/21

Pos.		Part no.	Price	PU
1	non return valve (pressure-resistant up to 2 MPa)	92594000	-	1
2	non return valve	97980000	-	1
3	noise reduction	94073000	-	1
4	O-ring 16x2	98133000	-	1
5	O-ring 36x2	98156000	-	1
6	set of screws	96525000	-	1
7	shut off unit	95758000	-	1
8	nut	98368000	-	1
9	Select-adapter	92219000	-	1
10	nut and flange	92696000	-	1
11	thermostat cartridge	98282000	-	1
13	O-ring 20x1,5	98197000	-	1
14	O-ring 25x1,5	98146000	-	1
15	O-ring 25x2,5	92146000	-	1
16	nut	98913000	-	1
17	holder for escutcheon	98793000	-	1
18	set of fixing screws	96454000	-	1
19	escutcheon 170 / 170 mm	92637001	-	1
20	set of symbols	92544610	-	1
21	O-ring 48x4	98414000	-	1
23	handle for thermostat	92215001	-	1
24	sleeve	92216000	-	1
25	fit-up aid	92540000	-	1
26	extension 22 mm	97407000	-	1
27	extension 25 mm	13595000	-	1
a	set of fixing screws	97747000	-	1
b	set of screws	93244000	-	1
c	symbol head shower Rain large	93571610	-	1
d	symbol head shower Rain small	93572610	-	1
e	symbol handshower	93573610	-	1
f	symbol Flood jet	93574610	-	1
g	symbol Whirl	93575610	-	1
h	symbol Mono	93576610	-	1
i	symbol tub	93577610	-	1

AXOR ShowerSelect
Thermostatic Trim Square for 1 Function
 Product Finish: **chrome** Part no. : **36714001**



Spare parts list

Year of production: >07/21

Pos.		Part no.	Price	PU
j	symbol body shower	93578610	-	1
k	safety set for temperature control	97334000	-	1
l	symbol ON/OFF	93579610	-	1
m	compensation set 1°	95521000	-	1