

## AXOR ShowerCollection

### Axor ShowerCollection Shower Shelf Trim, 5"x5"

Finishes : **chrome** Part no. : **40872000**



#### Description

##### Features

- when positioning the shelf between waterconducting parts (no.10755000, no.10751000, no.10942000, no.10972000, no.10651000, no.28491000) in joined installation (10mm distance), it is recommended to use basic set no.40877180
- suitable for installation with or without basic set # 40877180
- for use with either vertical or horizontal installation of the basic set

##### Optional accessories

- Rough, Axor ShowerCollection Shower Shelf, 5"x5" (#40877XXX)

#### Item details

List Price \$ 510.00

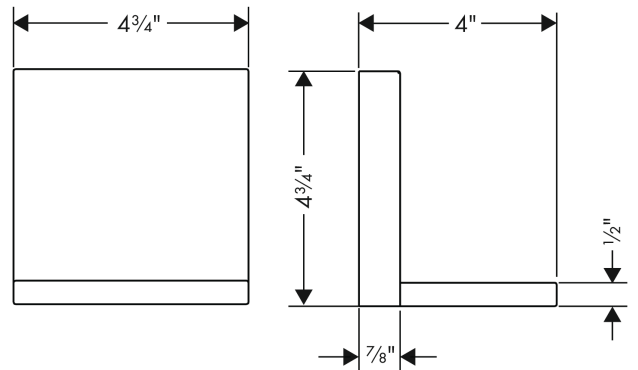
#### Compliance



#### Product image



#### Scale drawing

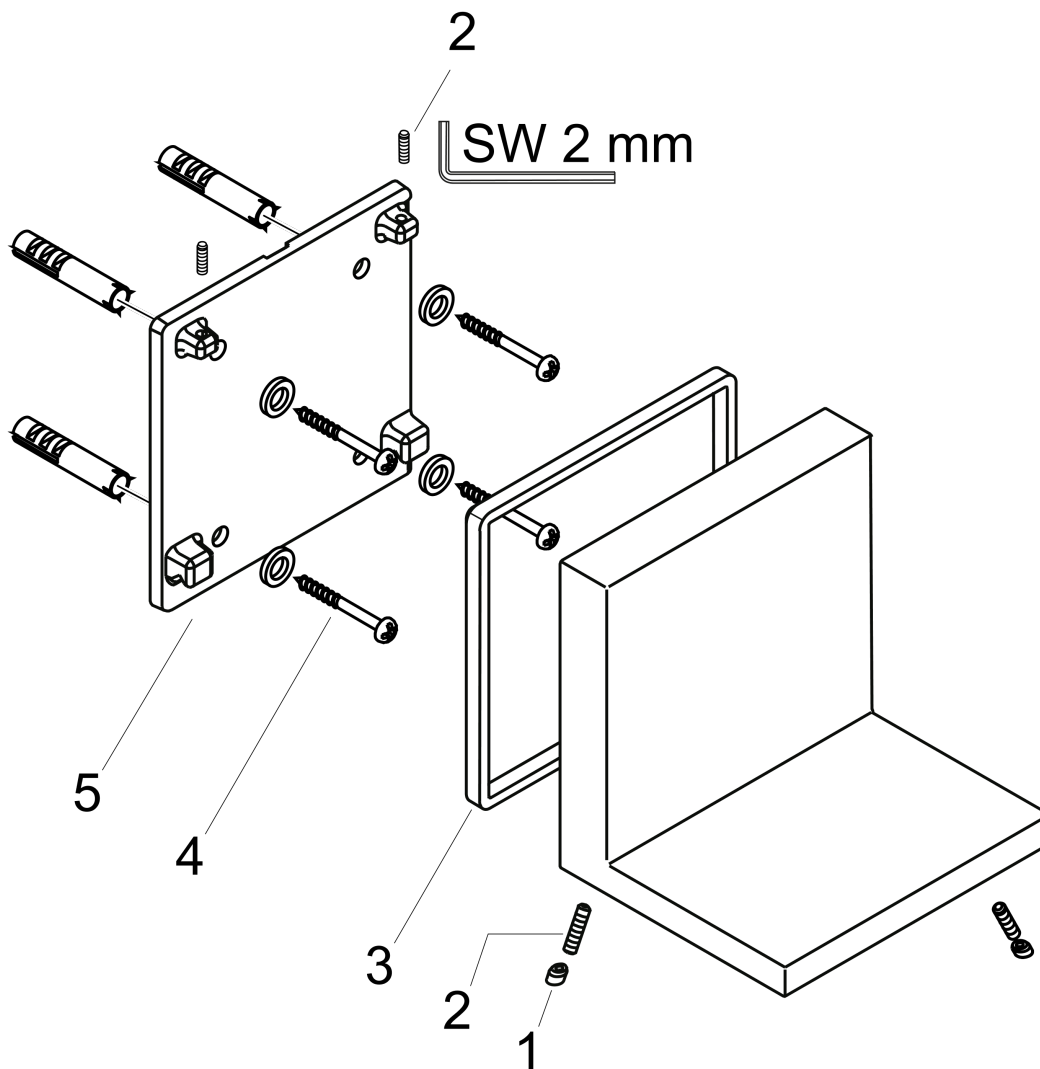


**AXOR ShowerCollection**  
**Axor ShowerCollection Shower Shelf Trim, 5"x5"**  
Finishes : **chrome**    Part no. : **40872000**



## Exploded drawing

Year of production: >01/09



**AXOR ShowerCollection**

**Axor ShowerCollection Shower Shelf Trim, 5"x5"**

Finishes : **chrome**    Part no. : **40872000**



**Spare parts list**

Year of production: >01/09

Pos.	Description	Part no.	Price	PU
1	screw cover	96338000	-	1
2	hollow set screw M4x16	97663000	-	1
3	seal	97737000	-	1
4	mounting set	96179000	-	1
5	support element	95312000	-	1