

AXOR Citterio

Axor Citterio Select 1-Spray Kitchen Faucet, Pull-Out

Finishes : **chrome** Part no. : **39861001**



Description

Features

- Swivel range 150°
- Aerated spray
- Select button provides convenient start/stop of the water flow at the sprayhead
- Flow: 1.75 GPM
- Ceramic cartridge

Item details

List Price \$ 798.00

Technology



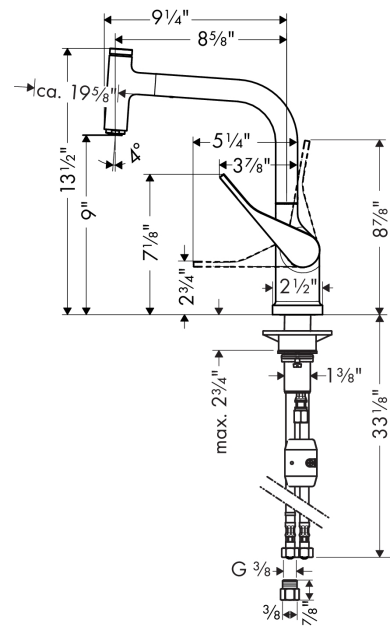
Compliance



Product image



Scale drawing

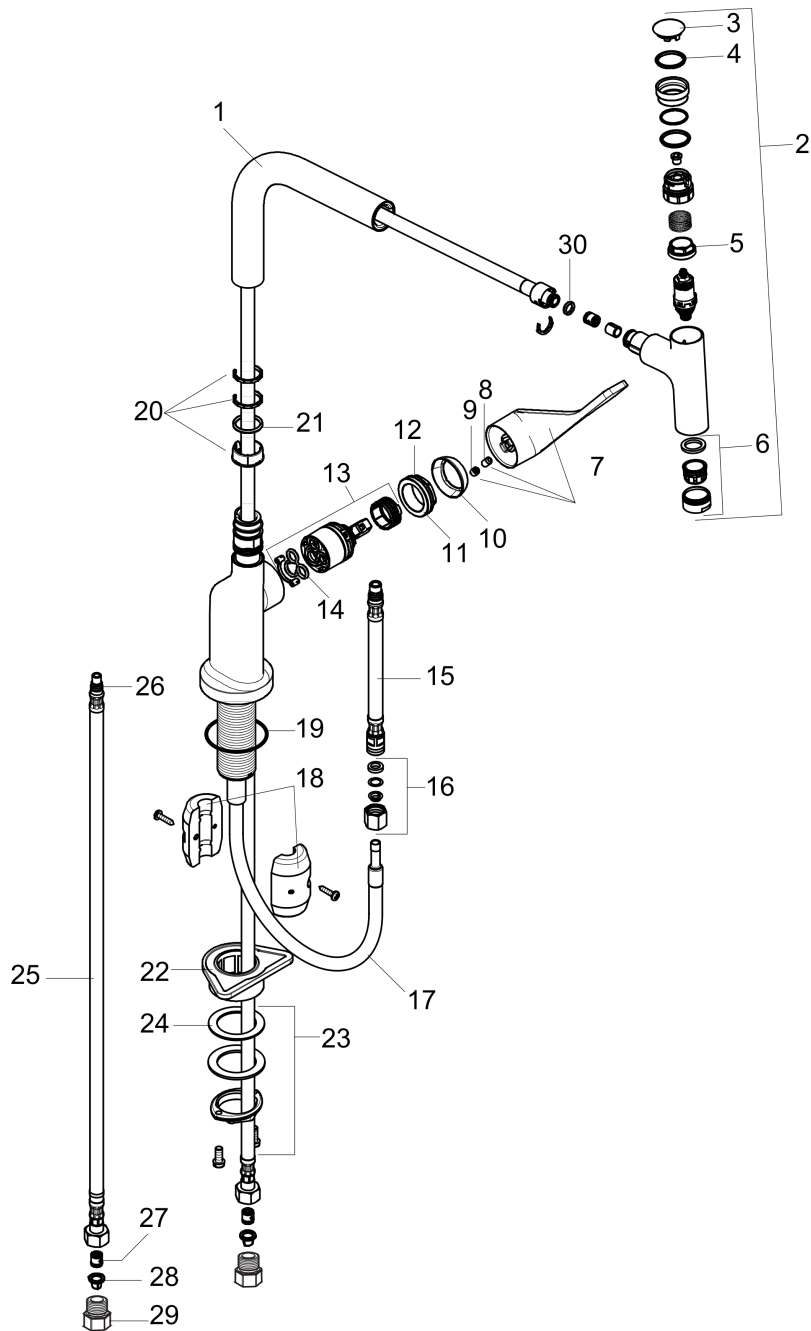


AXOR Citterio
Axor Citterio Select 1-Spray Kitchen Faucet, Pull-Out
Finishes : **chrome** Part no. : **39861001**



Exploded drawing

Year of production: >11/16



AXOR Citterio
Axor Citterio Select 1-Spray Kitchen Faucet, Pull-Out

 Finishes : **chrome** Part no. : **39861001**

Spare parts list

Year of production: >11/16

Pos.	Description	Part no.	Price	PU
1	spout cpl.	92583000	-	1
2	handspray	92570001	-	1
3	cover	92566000	-	1
4	O-ring 19x1,5	95962000	-	1
5	nut	92567000	-	1
6	aerator M24x1 (15 l/min)	13913000	-	1
7	handle	39891000	-	1
8	hollow set screw M6x10 DIN 916	96029000	-	1
9	screw cover	96338000	-	1
10	flange	98603000	-	1
11	nut	96461000	-	1
12	O-Ring 32x2	98193000	-	1
13	cartridge, assy	92730000	-	1
14	seal	95008000	-	1
15	connection hose 600 mm M10x1	92568000	-	1
16	squeezing connection	96099000	-	1
17	hose 1,50 m	92569000	-	1
18	weight	92500000	-	1
19	O-ring 40x3	92634000	-	1
20	set of lever collars	98365000	-	1
21	O-ring 21x2,5	98211000	-	1
22	support	97523000	-	1
23	fixing set (Ø 34)	95049000	-	1
24	lever collar	97548000	-	1
25	connection hose 900 mm M8x0,75 G3/8	95372000	-	1
26	O-ring 7x1,5	98422000	-	1
27	non return valve DW 10	96456000	-	1
28	filter packing	95291000	-	1
29	adapter for connection hose	88802000	-	1
30	O-ring 8x2	98112000	-	1

AXOR Citterio

Axor Citterio Select 1-Spray Kitchen Faucet, Pull-Out

Finishes : **steel optic** Part no. : **39861801**



Description

Features

- Swivel range 150°
- Aerated spray
- Select button provides convenient start/stop of the water flow at the sprayhead
- Flow: 1.75 GPM
- Ceramic cartridge

Item details

List Price \$ 999.00

Technology



Compliance



Product image



Scale drawing

