

**AXOR Universal Softsquare  
Soap Dish**

Finishes : Part no. : **42803000**



**Features**

- Wall-mounted
- Adaptor set #42870XXX must be used when installing on a rail
- Mounting possible with toilet paper roll holder #42836XXX (adaptor #42870XXX necessary)
- Material recess: Ceramic
- With mounting material
- Concealed fastening
- Diameter of drilled hole: 6 mm

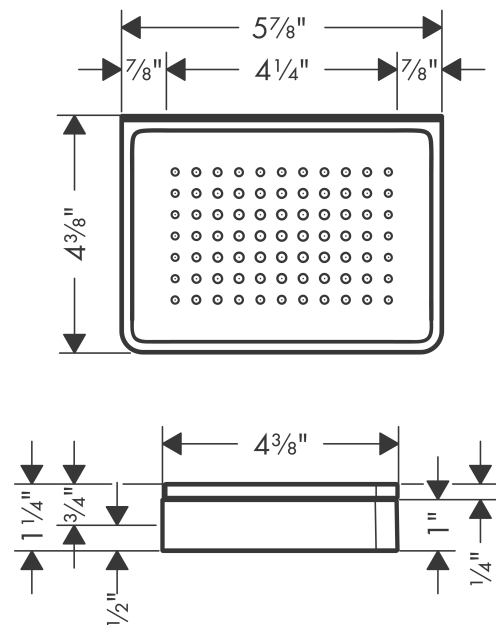
**Item details**

List Price \$ 292.00

**Product image**



**Scale drawing**



## AXOR Universal Softsquare

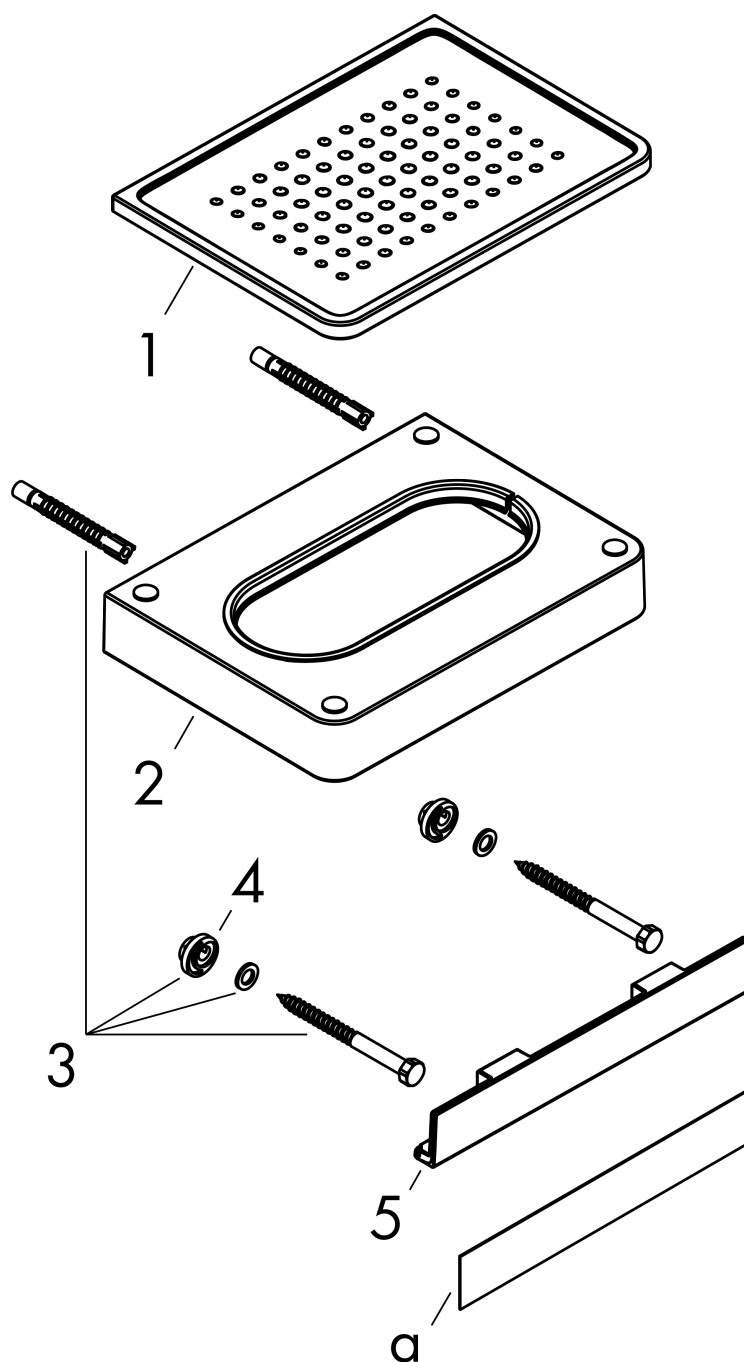
### Soap Dish

Finishes : Part no. : 42803000



### Exploded drawing

Year of production: >11/14



## AXOR Universal Softsquare

### Soap Dish

Finishes : Part no. : **42803000**



### Spare parts list

Year of production: >11/14

Pos.		Part no.	Price	PU
1	soap recess	92429000	-	1
2	support element	92424000	-	1
3	mounting set	92841000	-	1
4	excentric socket	97604000	-	1
5	cover	92427000	-	1
a	cover	42890000	-	1
b	set of adapters	42870000	-	1
c	set of covers	42871000	-	1
d	mounting kit for two-sided glass montage	42841000	-	1