

EQUALIS Frameless Stall Shower Enclosure

DS-48T-38, DS-54T-38, DS-60T-38, DS-66T-38



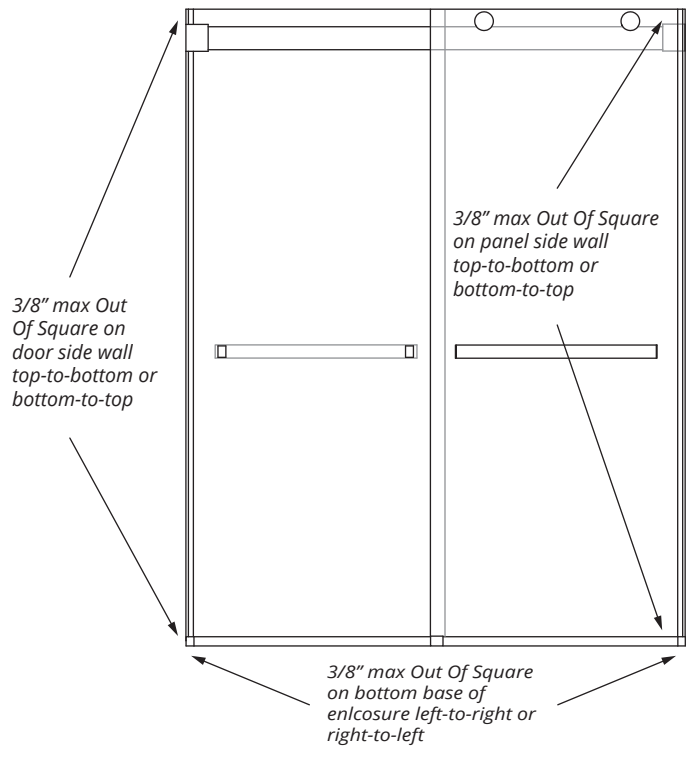
GLASSCRAFTERS INC.

All Units are available in Polished Stainless Steel, Brushed Stainless Steel, Polished Chrome Anodized or Iron-Black (add "PSS", "BSS", "CHA" or "IBK" to model code)

Cleartek™ (Low-iron) glass is a super clear glass with significantly less color than standard clear glass, but is not color free. The larger the panel, the more noticeable the tint in the glass, especially on the edges.

Acceptable Out Of Square (OOS) conditions:

For bottom base opening, 3/8" OOS from left to right
 For wall that accepts stationary panel, up to 3/8" OOS
 For wall that accepts door panel, up to 3/8" OOS



Standard Features:

- Solid 2-1/4" high x 11/16" thick aluminum rail stainless steel clad.
- Sliding door technology: stainless steel rollers with concealed ball bearings.
- Durable and long-lasting hardware.
- All stainless steel rectangular towel bars.
- 3/8" Cleartek™ (low-iron) & Standard Clear, tempered safety glass.
- U-channel at base.
- EnduroShield® protective glass coating.
- Fully reversible left and right assembly.
- High quality vinyl door bumper and sweep.

Design and ordering for left hand or right hand door is not required as parts are reversible.



- Cleartek™ (Low-Iron) or Standard Clear Glass
- Protective Glass Coating



SHOWER ENCLOSURE MODELS: (All Stall units are 76" high)

- DS-48T-38 45" to 48" opening with 20" to 23" walk through
- DS-54T-38 51" to 66" opening with 23" to 26" walk through
- DS-60T-38 57" to 60" opening with 26" to 29" walk through
- DS-66T-38 63" to 66" opening with 29" to 32" walk through

GLASSCRAFTERS, INC.

193 Veterans Blvd. Carlstadt, NJ 07072
 1+ (888) 683-1362 (F) 1+ (201) 525-1117
 sales@glasscraftersinc.com

Distinctive Designs for Selective Tastes

EQUALIS Frameless Stall Shower Enclosure

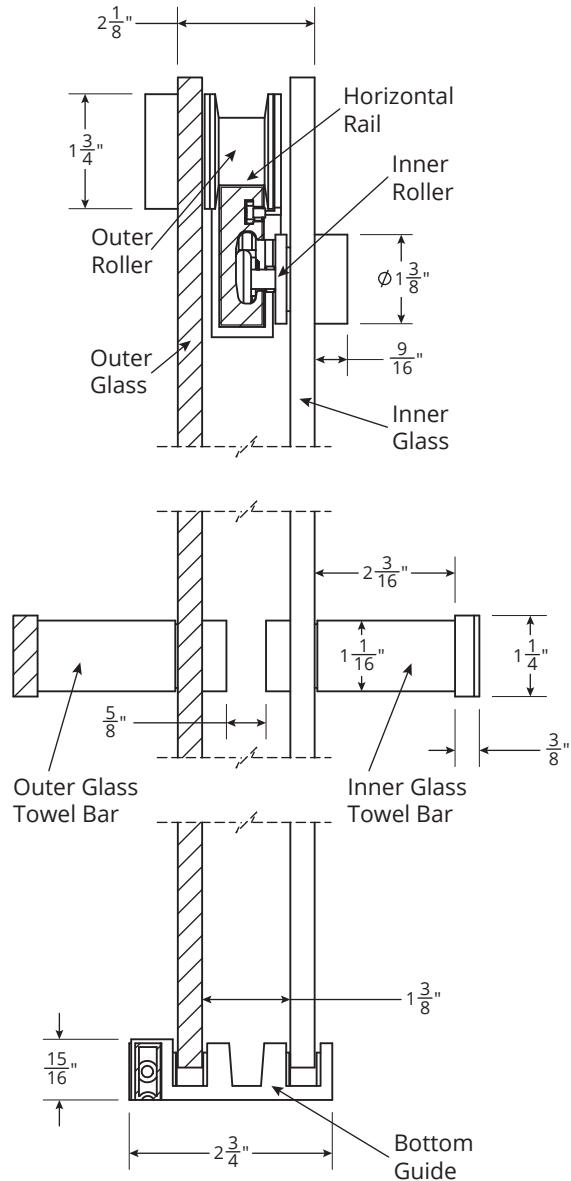
DS-48T-38, DS-54T-38, DS-60T-38, DS-66T-38



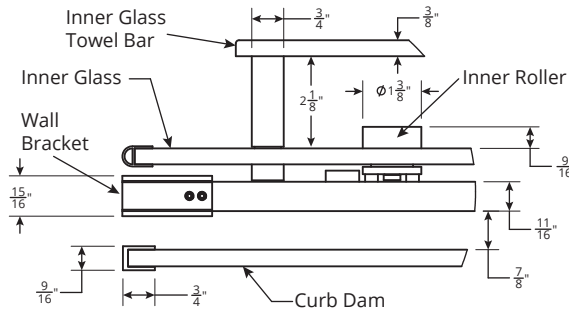
GLASSCRAFTERS INC.

All Units are available in Polished Stainless Steel, Brushed Stainless Steel, Polished Chrome Anodized or Iron-Black (add "PSS", "BSS", "CHA" or "IBK" to model code)

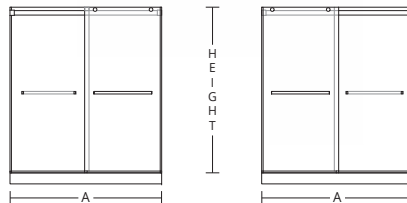
Detail — Side View



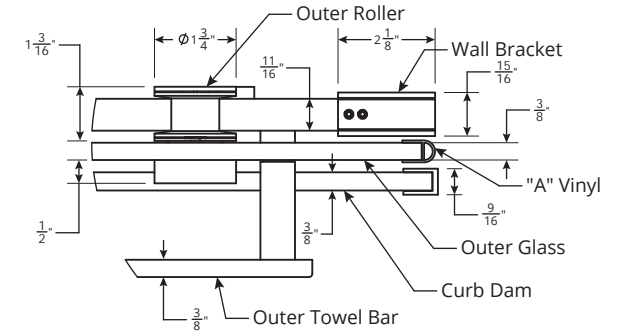
Detail — Top View, Right Side



DECORATIVE HARDWARE FINISH OPTIONS



Detail — Top View, Left Side



GLASS & HARDWARE



Clear (Standard) Glass



Cleartek™ (Low-Iron) Glass

Cleartek™ (Low-iron) glass is a super clear glass with significantly less color than standard clear glass, but is not color free. The larger the panel, the more noticeable the tint in the glass, especially on the edges.



Standard Equalis Series Towel Bar

Height is 76" — 3/8" glass

Model Number	Width (A) Min-Max	Overlap Max - Min	Walk Through Min-Max
DS-48T-38, BSS, PSS, CHA, IBK	45" to 48"	4" to 1"	20" to 23"
DS-54T-38, BSS, PSS, CHA, IBK	51" to 54"	4" to 1"	23" to 26"
DS-60T-38, BSS, PSS, CHA, IBK	57" to 60"	4" to 1"	26" to 29"
DS-66T-38, BSS, PSS, CHA, IBK	63" to 66"	4" to 1"	29" to 32"

FOR BEST RESULTS Glasscrafters recommends the installation be performed by a trained installer.

WARNING: TO INSTALL ON CAST IRON, FIBERGLASS, ACRYLIC OR RESIN SHOWER BASE Check with the tub or shower base manufacturer to determine the tooling required.

INSTALLING THESE UNITS REQUIRES 2 PERSONS

GLASSCRAFTERS, INC.
193 Veterans Blvd. Carlstadt, NJ 07072
1+ (888) 683-1362 (F) 1+ (201) 525-1117
sales@glasscraftersinc.com

Distinctive Designs for Selective Tastes