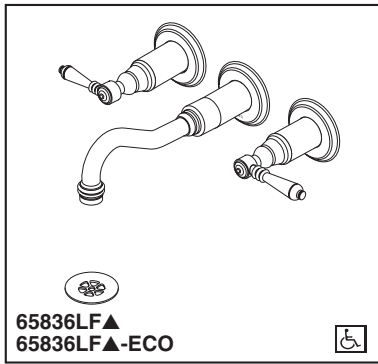


# BRIZO®

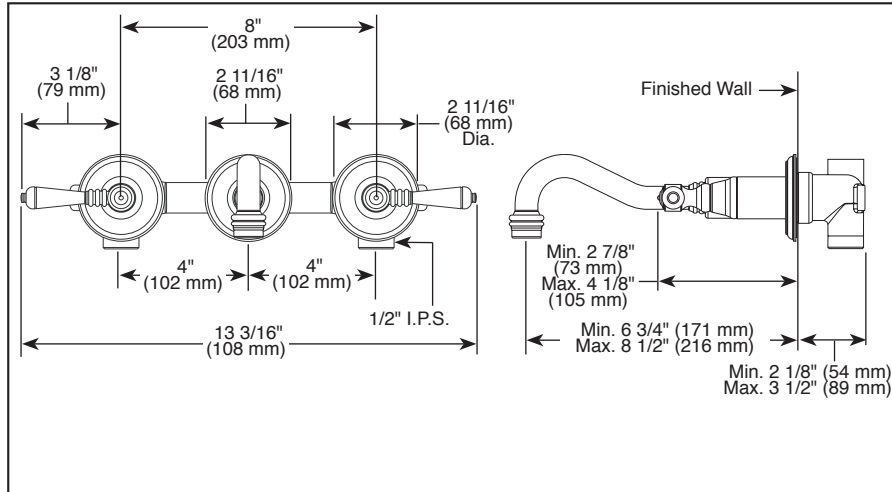
## LAVATORY FAUCETS

- Tresa® Bath Collection
- Two Handle Wall-Mounted Lavatory Valve
- Temperature and Volume Controlled with Handles



Submitted Model No.: \_\_\_\_\_

Specific Features: \_\_\_\_\_



### STANDARD SPECIFICATIONS:

- Maximum 1.50 gpm @ 60 psi, 5.70 L/min @ 414kPa
- Maximum (ECO Models only) 1.20 gpm @ 60 psi, 4.54 L/min @ 414kPa
- Three hole mount
- Solid metal spout
- Control mechanism shall be of the rotating ceramic cylinder type with 90° (1/4 turn) rotation
- Recommend 1 1/2" hole size
- Metal grid strainer with overflow included (RP72412)
- Optional grid strainer without overflow (RP72411), push button pop-up with overflow (RP72414) or push button pop-up without overflow (RP72413).
- Drain sold separately

### WARRANTY

- Lifetime limited warranty on parts (other than electronic parts and batteries) and finishes; or, for commercial users, for 5 years from date of purchase.
- 5 year limited warranty on electronic parts (other than batteries); or, for commercial users, for 1 year from the date of purchase. No warranty is provided on batteries.

<p><b>RP72411▲</b> Grid Strainer Drain less overflow holes</p>	<p><b>RP72413▲</b> Push Button Drain less overflow holes</p> <p>← 2 3/4" (70 mm) Dia.</p>	<p><b>RP81627▲</b> Push Button Drain less overflow holes</p> <p>← 1 5/8" (41 mm) Dia.</p>
<p><b>RP72412▲</b> Grid Strainer Drain with overflow holes</p>	<p><b>RP72414▲</b> Push Button Drain with overflow holes</p> <p>← 2 3/4" (70 mm) Dia.</p>	<p><b>RP81628▲</b> Push Button Drain with overflow holes</p> <p>← 1 5/8" (41 mm) Dia.</p>

▲ Designate Proper Finish Suffix



### COMPLIES WITH:

- ASME A112.18.1 / CSA B125.1
- ASME A112.18.2 / CSA B125.2
- Indicates compliance to ICC/ANSI A117.1
- Verified compliant with .25% weighted average Pb content regulations.
- EPA WaterSense®