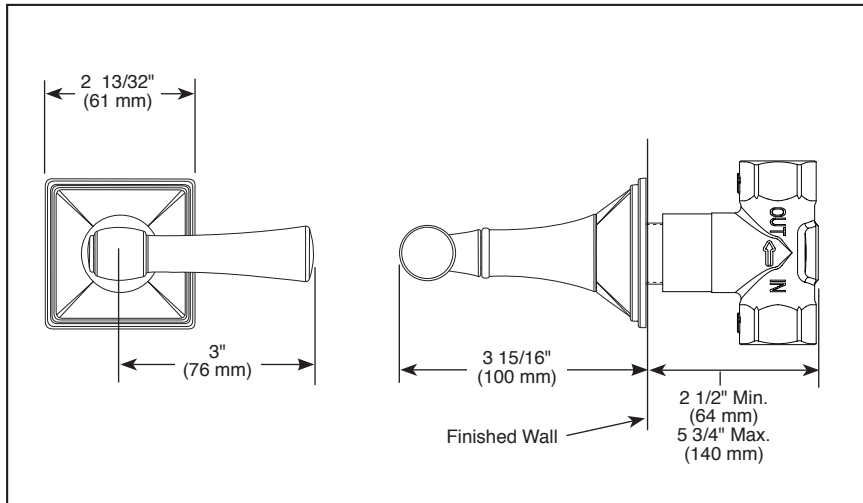


T66640▲



Submitted Model No.: _____

Specific Features: _____



▲ Designate proper finish suffix

BRIZO[®]

SENSORI[®] CUSTOM SHOWER TRIM

- Vesi[®] Collection
- Volume Control Trim

STANDARD SPECIFICATIONS

- Must also order R35600 Rough-In.
- 90° handle rotation controls volume only.
- Volume controls are required for every outlet and every set of body sprays (up to 9.10 gpm @ 60 PSI).
- All parts are replaceable from the front.
- Adjusts for wall thickness variations.
- Recommended working pressure of 45-80 PSI.
- Volume control only; must be used with temperature control device.

WARRANTY

- Lifetime limited warranty on parts (other than electronic parts and batteries) and finishes; or, for commercial users, for 5 years from date of purchase.
- 5 year limited warranty on electronic parts (other than batteries); or, for commercial users, for 1 year from the date of purchase. No warranty is provided on batteries.

COMPLIES WITH:

- ASME A112.18.1 / CSA B125.1
-  Indicates compliance to ICC/ANSI A117.1- Valve control only.

Brizo Kitchen & Bath Company reserves the right (1) to make changes in specifications and materials, and (2) to change or discontinue models, both without notice or obligation. Dimensions are for reference only. See current full-line price book or www.brizo.com for finish options and product availability.

BSP-B-T66640 Rev. E

Brizo Kitchen & Bath Company
 Indianapolis, Indiana 46280
 A Division of Masco Corporation of Indiana
 © 2016 Brizo Kitchen & Bath Company