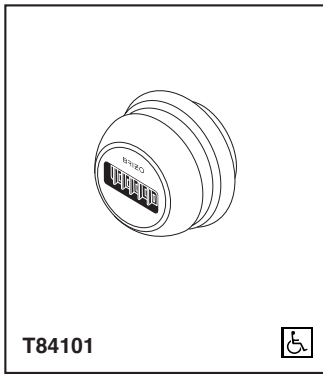


# BRIZO®

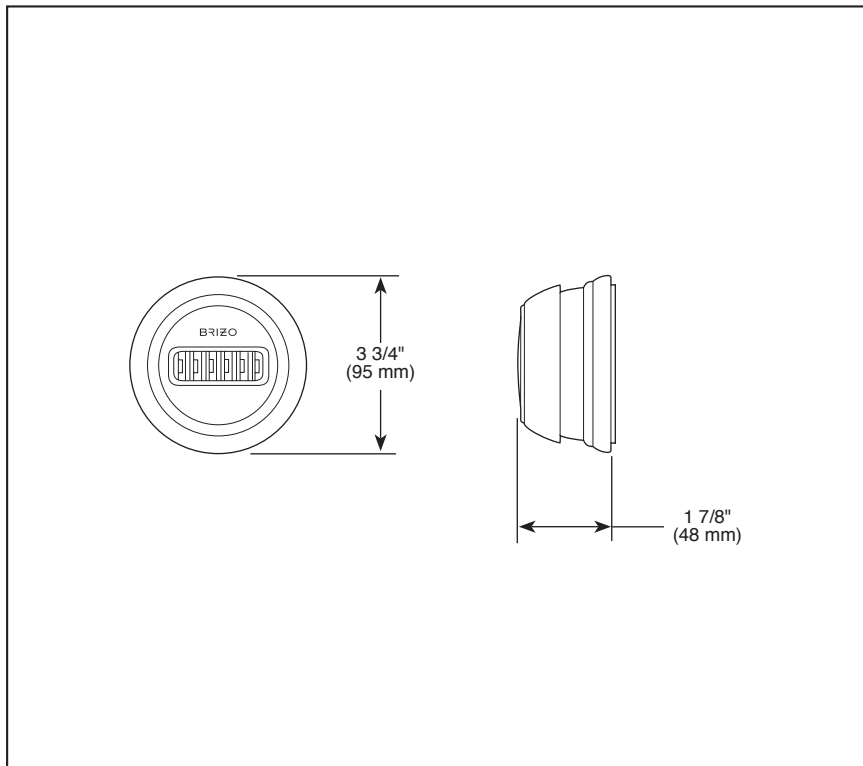
## BODY SPRAY

■ H<sub>2</sub>Okinetic® Body Spray Trim



Submitted Model No.: \_\_\_\_\_

Specific Features: \_\_\_\_\_



### STANDARD SPECIFICATIONS

- Requires 1/2" R84101 body spray rough-in.
- Maximum 1.60 gpm @ 80 psi, 6.1 L/min @ 550 kPa; experience of 2.50 gpm.
- Features patented H<sub>2</sub>Okinetic Technology®.
- Adjusts both vertically and horizontally.
- Rough opening must be a minimum of 2 5/8" diameter.
- Previously shipped as complete unit as 60000 series.

### WARRANTY

- Lifetime limited warranty on parts (other than electronic parts and batteries) and finishes: or, for commercial users, for 5 years from date of purchase.
- 5 year limited warranty on electronic parts (other than batteries); or, for commercial users, for 1 year from the date of purchase. No warranty is provided on batteries.

### COMPLIES WITH:

- ANSI/ASME A112.18.1 / CSA B125.1
- ICC/ANSI A117.1

Brizo Kitchen & Bath Company reserves the right (1) to make changes in specifications and materials, and (2) to change or discontinue models, both without notice or obligation. Dimensions are for reference only. See current full-line price book or [www.brizo.com](http://www.brizo.com) for finish options and product availability.

BSP-B-T84101 Rev. B

Brizo Kitchen & Bath Company  
Indianapolis, Indiana 46280  
A Division of Masco Corporation of Indiana  
© 2015 Brizo Kitchen & Bath Company