

**PRODUCT SPECIFICATIONS**

Elkay Lustertone Stainless Steel 22" x 17" x 7-5/8", Single Bowl Top Mount Classroom Sink + Faucet/Bubbler Kit. Sink is manufactured from 18 gauge 304 Stainless Steel with a Lustertone finish, Center drain placement, and Full spray sides and bottom.

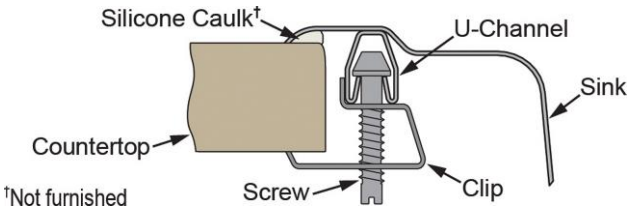
|                              |  |
|------------------------------|--|
| <b>Installation Type:</b>    | Top Mount  |
| <b>Material:</b>             | 304 Stainless Steel  |
| <b>Finish:</b>               | Lustertone   |
| <b>Gauge:</b>                | 18   |
| <b>Sound Deadening:</b>      | Full spray sides and bottom                                      |
| <b>Number of Bowls:</b>      | 1  |
| <b>Sink Dimensions:</b>      | 22" x 17" x 7-5/8"   |
| <b>Bowl 1 Dimensions:</b>    | 16" x 13-1/2" x 7-1/2"   |
| <b>Drain Size:</b>           | 3-1/2" (89mm)  |
| <b>Drain Location:</b>       | Center   |
| <b>Minimum Cabinet Size:</b> | 27"  |
| <b>Mounting Hardware:</b>    | Part # 64090012 included for countertops up to 3/4" (19mm) thick |
| <b>Cutout Template #:</b>    | <a href="#">1000001261</a>                                       |

Template is available for download at [elkay.com](http://elkay.com)

**Cutout Dimensions for Top Mount Installation:**

21-3/8" x 16-3/8" (543mm x 416mm) with 1-1/2" (38mm) corner radius

**Installation Profile:**



**OPTIONAL ACCESSORIES**

|                  |                                       |
|------------------|---------------------------------------|
| <b>Hardware:</b> | LK364, LK463                          |
| <b>Sinkmate:</b> | LKSM17, LKSMHOOK, LKSMSPONGE, LKSMHSL |



**Included with Product:** LKDVR208513C faucet, LKVR1141A bubbler, LKVR18 strainer

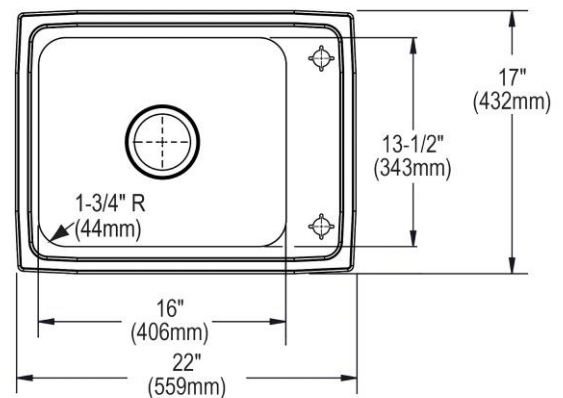
AMERICAN PRIDE. A LIFETIME TRADITION. Like your family, the Elkay family has values and traditions that endure. For almost a century, Elkay has been a family-owned and operated company, providing thousands of jobs that support our families and communities.

**Product Compliance:** ASME A112.19.3/CSA B45.4  
Faucet: ASME A112.18.1/CSA B125.1  
NSF 61  
NSF 372 (lead free)  
Accessory: ASME A112.18.2/CSA B125.2

[Clean and Care Manual \(PDF\)](#)  
[Installation Instructions \(PDF\)](#)  
[Limited Lifetime Warranty \(PDF\)](#)

**Similar models are available with:** Quick-Clip Mounting System

1-1/8" (29mm) Diameter Slotted Holes (2 Places)



PART: \_\_\_\_\_ QTY: \_\_\_\_\_  
PROJECT: \_\_\_\_\_  
CONTACT: \_\_\_\_\_  
DATE: \_\_\_\_\_  
NOTES: \_\_\_\_\_  
APPROVAL: \_\_\_\_\_

In keeping with our policy of continuing product improvement, Elkay reserves the right to change product specifications without notice. Please visit [elkay.com](http://elkay.com) for the most current version of Elkay product specification sheets. This specification describes an Elkay product with design, quality, and functional benefits to the user. When making a comparison of other producers' offerings, be certain these features are not overlooked.