

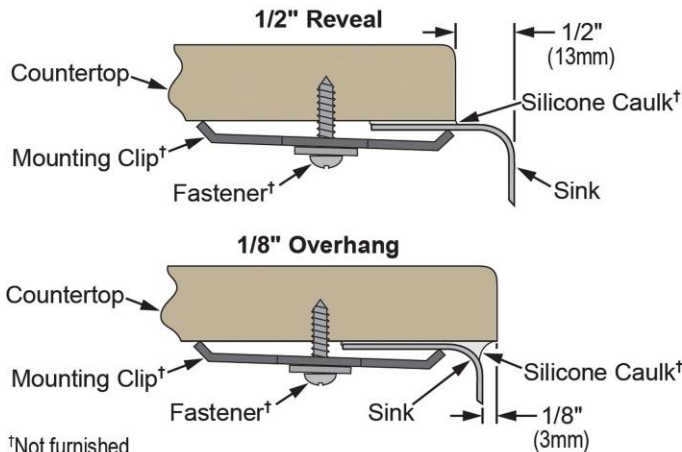
PRODUCT SPECIFICATIONS

Dayton Stainless Steel 14-1/2" x 12-1/2" x 6-1/2", Single Bowl Undermount Bar Sink. Sink is manufactured from 18 gauge 304 Stainless Steel with a Radiant Satin finish, Center drain placement, and Full spray sides and bottom with Bottom only pads.

| | |
|------------------------------|---|
| Installation Type: | Undermount |
| Material: | 304 Stainless Steel |
| Finish: | Radiant Satin |
| Gauge: | 18 |
| Sound Deadening: | Full spray sides and bottom with Bottom only pads |
| Number of Bowls: | 1 |
| Sink Dimensions: | 14-1/2" x 12-1/2" x 6-1/2" |
| Bowl 1 Dimensions: | 12" x 10" x 6-1/2" |
| Drain Size: | 3-1/2" (89mm) |
| Drain Location: | Center |
| Minimum Cabinet Size: | 18" |
| Mounting Hardware: | Undermount brackets sold separately |
| Cutout Template #: | 1000000783 |

Template is available for download at [elkay.com](#)

Installation Profile:



†Not furnished
Designed to affix to the underside of any solid surface countertop.

OPTIONAL ACCESSORIES

| | |
|------------------|--|
| Drain: | D1125 |
| Hardware: | LKUCLIP8 |
| Sinkmate: | LKSM17, LKSMHOOK, LKSMSPONGE, LKSMHSL |



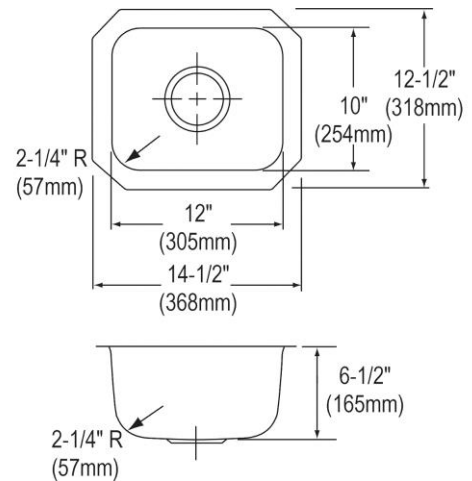
AMERICAN PRIDE. A LIFETIME TRADITION.
Like your family, the Elkay family has values and traditions that endure. For almost a century, Elkay has been a family-owned and operated company, providing thousands of jobs that support our families and communities.



Sinks are listed by IAPMO[®] as meeting the applicable requirements of the Uniform Plumbing Code[®], International Plumbing Code[®], and National Plumbing Code of Canada.

Product Compliance: ASME A112.19.3/CSA B45.4
BUY AMERICAN ACT

[Clean and Care Manual \(PDF\)](#)
[Installation Instructions \(PDF\)](#)
[Limited Lifetime Warranty \(PDF\)](#)



PART: _____ QTY: _____
PROJECT: _____
CONTACT: _____
DATE: _____
NOTES: _____
APPROVAL: _____

In keeping with our policy of continuing product improvement, Elkay reserves the right to change product specifications without notice. Please visit [elkay.com](#) for the most current version of Elkay product specification sheets. This specification describes an Elkay product with design, quality, and functional benefits to the user. When making a comparison of other producers' offerings, be certain these features are not overlooked.