

PRODUCT SPECIFICATIONS

Dayton Stainless Steel 27" x 22" x 8", Single Bowl Dual Mount Sink. Sink is manufactured from 20 gauge 300 series Stainless Steel with a Premium Highlighted Satin finish, Center drain placement, and Full spray sides and bottom.

| | |
|------------------------------|---|
| Installation Type: | Top Mount, Undermount |
| Material: | 300 series Stainless Steel |
| Special Features: | Slim Rim |
| Finish: | Premium Highlighted Satin |
| Gauge: | 20 |
| Sound Deadening: | Full spray sides and bottom |
| Number of Bowls: | 1 |
| Sink Dimensions: | 27" x 22" x 8" |
| Bowl 1 Dimensions: | 24" x 16" x 8" |
| Drain Size: | 3-1/2" (89mm) |
| Drain Location: | Center |
| Minimum Cabinet Size: | 30" |
| Mounting Hardware: | Part # 64090012 included for top mount installation for countertops up to 3/4" (19mm) thick |
| Cutout Template #: | 100000907 |

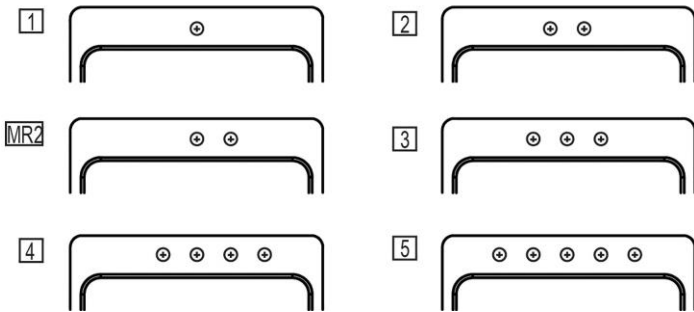
Template is available for download at elkay.com

Cut Dimensions for Top Mount Installation:

26-3/8" x 21-3/8" (670mm x 543mm) with 1-1/2" (38mm) corner radius

Hole Drilling Configurations:

1-1/2" (38mm) Diameter Faucet Holes on 4" (102mm) Centers



AMERICAN PRIDE. A LIFETIME TRADITION.

Like your family, the Elkay family has values and traditions that endure. For almost a century, Elkay has been a family-owned and operated company, providing thousands of jobs that support our families and communities.



Sinks are listed by IAPMO® as meeting the applicable requirements of the Uniform Plumbing Code®, International Plumbing Code®, and National Plumbing Code of Canada.

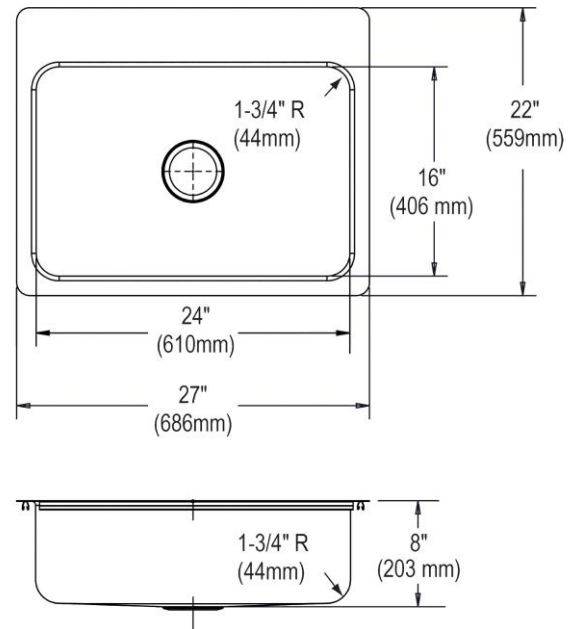
Product Compliance: ASME A112.19.3/CSA B45.4
BUY AMERICAN ACT

[Clean and Care Manual \(PDF\)](#)

[Installation Instructions \(PDF\)](#)

[Limited Lifetime Warranty \(PDF\)](#)

Similar models are available with: Perfect Drain



PART: _____ QTY: _____

PROJECT: _____

CONTACT: _____

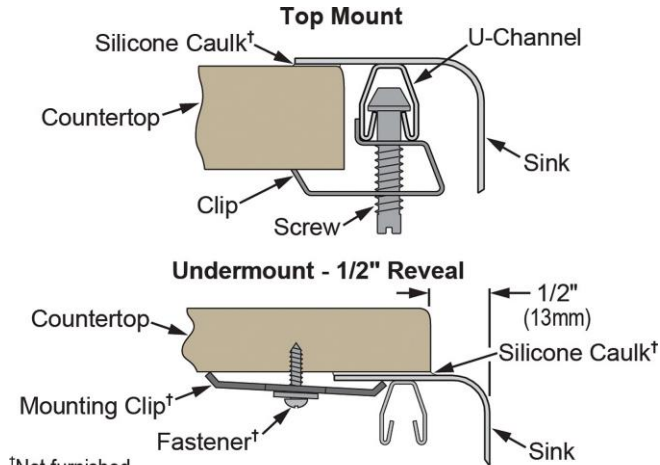
DATE: _____

NOTES: _____

APPROVAL: _____

In keeping with our policy of continuing product improvement, Elkay reserves the right to change product specifications without notice. Please visit elkay.com for the most current version of Elkay product specification sheets. This specification describes an Elkay product with design, quality, and functional benefits to the user. When making a comparison of other producers' offerings, be certain these features are not overlooked.

Installation Profile:



†Not furnished
Designed to affix to the underside of any solid surface countertop.

OPTIONAL ACCESSORIES

| | |
|---|---|
| Bottom Grid: | GBG2416SS |
| Cutting Board: | CB1713 (*when installed as an undermount), CBS1316 (*when installed as an undermount) |
| Drain: | D1125 |
| Hardware: | LKUCLIP8 |
| Rinsing Basket: | LKWRB2416SS, LKWERBSS |
| Sinkmate: | LKSM17, LKSMHOOK, LKSMSPONGE, LKSMHSL |
| * 1/2" sink reveal required for proper fit. | |

In keeping with our policy of continuing product improvement, Elkay reserves the right to change product specifications without notice. Please visit elkay.com for the most current version of Elkay product specification sheets. This specification describes an Elkay product with design, quality, and functional benefits to the user. When making a comparison of other producers' offerings, be certain these features are not overlooked.