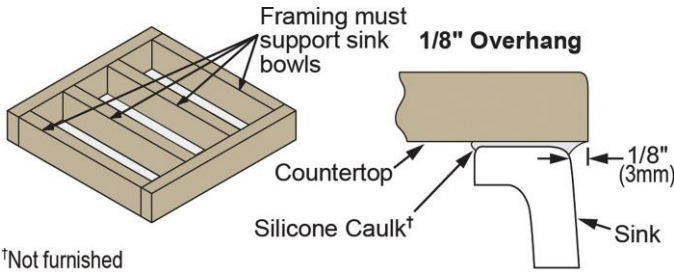


**PRODUCT SPECIFICATIONS**

Elkay Explore Fine Fireclay 30-3/4" x 20-3/16" x 10-1/2", Double Bowl Undermount Sink, White. Sink is molded from fine fireclay with a durable porcelain glaze providing a finish that is non-porous and resists staining. Naturally sound deadening and Rear Center drain placement.

<b>Installation Type:</b>	Undermount
<b>Material:</b>	Fine Fireclay
<b>Finish:</b>	White [gloss] (WH)
<b>Number of Bowls:</b>	2
<b>Sink Dimensions:</b>	30-3/4" x 20-3/16" x 10-1/2"
<b>Bowl 1 Dimensions:</b>	16" x 17-1/2" x 9-13/16"
<b>Bowl 2 Dimensions:</b>	11-1/2" x 15" x 7-13/16"
<b>Drain Size:</b>	3-1/2" (89mm)
<b>Drain Location:</b>	Rear Center
<b>Minimum Cabinet Size:</b>	36"

**Installation Profile:**



<sup>†</sup>Not furnished  
Designed to affix to the underside of any solid surface countertop.



AMERICAN PRIDE. A LIFETIME TRADITION. Like your family, the Elkay family has values and traditions that endure. For almost a century, Elkay has been a family-owned and operated company, providing thousands of jobs that support our families and communities.



Sinks are listed by IAPMO<sup>®</sup> as meeting the applicable requirements of the Uniform Plumbing Code<sup>®</sup>, International Plumbing Code<sup>®</sup>, and National Plumbing Code of Canada.

**Product Compliance:** ASME A112.19.2/CSA B45.1

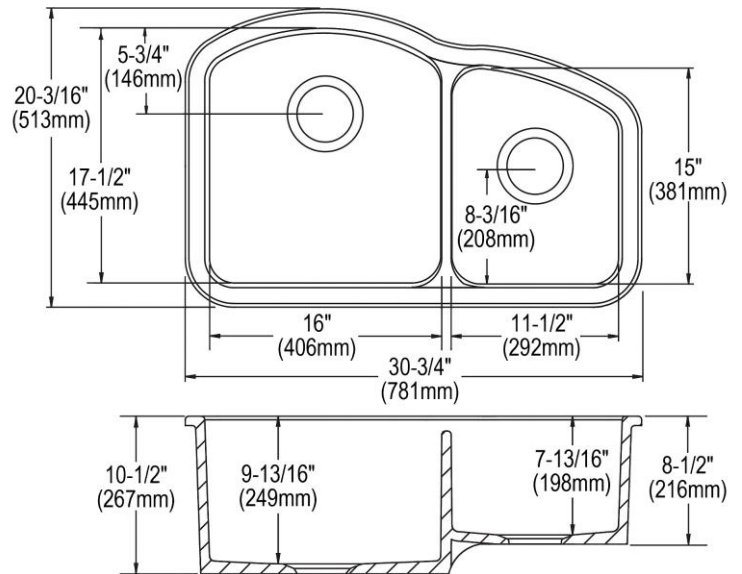
[Clean and Care Manual \(PDF\)](#)

[Installation Instructions \(PDF\)](#)

[Limited Lifetime Warranty \(PDF\)](#)

**OPTIONAL ACCESSORIES**

<b>Bottom Grid:</b>	LKWEOBG1618SS (large bowl), LKWEOBG1215SS (small bowl)
<b>Drain:</b>	LK99
<b>Rinsing Basket:</b>	LKSWRB1618SS, LKWRB1617SS



PART: \_\_\_\_\_ QTY: \_\_\_\_\_

PROJECT: \_\_\_\_\_

CONTACT: \_\_\_\_\_

DATE: \_\_\_\_\_

NOTES: \_\_\_\_\_

APPROVAL: \_\_\_\_\_

*In keeping with our policy of continuing product improvement, Elkay reserves the right to change product specifications without notice. Please visit [elkay.com](http://elkay.com) for the most current version of Elkay product specification sheets. This specification describes an Elkay product with design, quality, and functional benefits to the user. When making a comparison of other producers' offerings, be certain these features are not overlooked.*

*In keeping with our policy of continuing product improvement, Elkay reserves the right to change product specifications without notice. Please visit [elkay.com](http://elkay.com) for the most current version of Elkay product specification sheets. This specification describes an Elkay product with design, quality, and functional benefits to the user. When making a comparison of other producers' offerings, be certain these features are not overlooked.*