

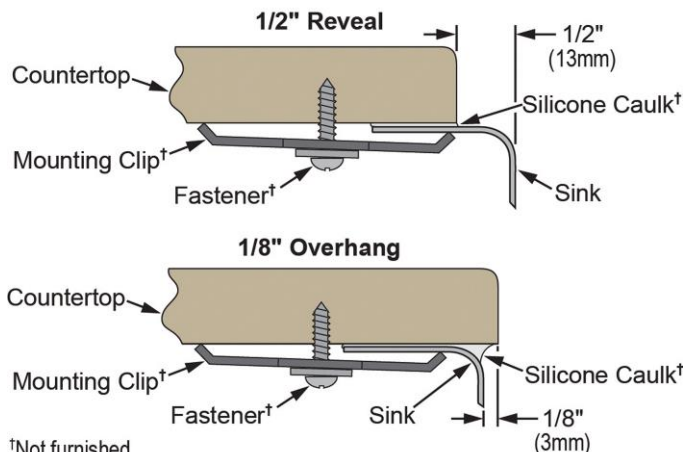
**PRODUCT SPECIFICATIONS**

Elkay Lustertone Stainless Steel 31-1/2" x 21-1/8" x 10", 30/70 Offset Double Bowl Undermount Sink Kit. Sink is manufactured from 18 gauge 304 Stainless Steel with a Lustertone finish, Sound Guard.

|                              |                                     |
|------------------------------|-------------------------------------|
| <b>Installation Type:</b>    | Undermount                          |
| <b>Material:</b>             | 304 Stainless Steel                 |
| <b>Finish:</b>               | Lustertone                          |
| <b>Gauge:</b>                | 18                                  |
| <b>Sound Deadening:</b>      | Sound Guard                         |
| <b>Number of Bowls:</b>      | 2                                   |
| <b>Sink Dimensions:</b>      | 31-1/2" x 21-1/8" x 10"             |
| <b>Bowl 1 Dimensions:</b>    | 7" x 14-1/8" x 5-9/16"              |
| <b>Bowl 2 Dimensions:</b>    | 21" x 18-5/8" x 10"                 |
| <b>Drain Size:</b>           | 3-1/2" (89mm)                       |
| <b>Minimum Cabinet Size:</b> | 36"                                 |
| <b>Mounting Hardware:</b>    | Undermount brackets sold separately |
| <b>Template Included:</b>    | Yes                                 |
| <b>Cutout Template #:</b>    | <a href="#">1000001390</a>          |

Template is available for download at [elkay.com](#)

**Installation Profile:**



†Not furnished  
Designed to affix to the underside of any solid surface countertop.



**Included with Product:** ELUH322110L sink,  
one LKWOBG2118SS bottom grid,  
one LK99 drain

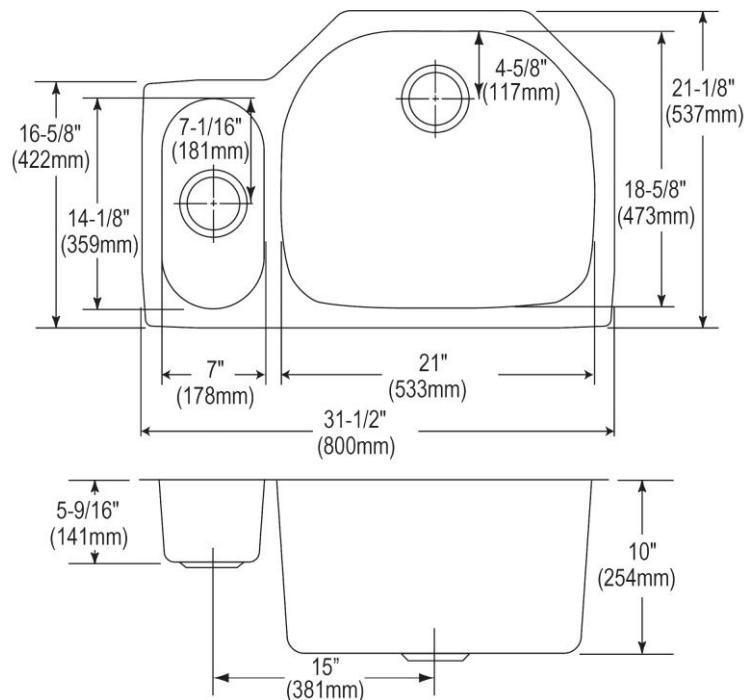
AMERICAN PRIDE. A LIFETIME TRADITION.  
Like your family, the Elkay family has values and traditions that endure. For almost a century, Elkay has been a family-owned and operated company, providing thousands of jobs that support our families and communities.



**Product Compliance:** ASME A112.19.3/CSA B45.4  
BUY AMERICAN ACT  
Accessory: ASME A112.18.2/CSA B125.2

[Clean and Care Manual \(PDF\)](#)  
[Installation Instructions \(PDF\) - 74180187](#)  
[Installation Instructions \(PDF\) - 74210010\\_Drain](#)  
[Limited Lifetime Warranty \(PDF\)](#)

**Similar models are available with:**  
small bowl on the opposite side



PART: \_\_\_\_\_ QTY: \_\_\_\_\_  
PROJECT: \_\_\_\_\_  
CONTACT: \_\_\_\_\_  
DATE: \_\_\_\_\_  
NOTES: \_\_\_\_\_  
APPROVAL: \_\_\_\_\_

In keeping with our policy of continuing product improvement, Elkay reserves the right to change product specifications without notice. Please visit [elkay.com](#) for the most current version of Elkay product specification sheets. This specification describes an Elkay product with design, quality, and functional benefits to the user. When making a comparison of other producers' offerings, be certain these features are not overlooked.

**OPTIONAL ACCESSORIES**

|                        |  |
|------------------------|--|
| <b>Faucet:</b>         | LKHA1031, LKHA2031, LKHA3041             |
| <b>Hardware:</b>       | LKUCLIP8 (2 Required)                    |
| <b>Rinsing Basket:</b> | LKWRB2118SS, LKWERBSS,<br>LKWRB715SS     |
| <b>Sinkmate:</b>       | LKSM17, LKSMHOOK,<br>LKSMSPONGE, LKSMHSL |
| <b>Soap Dispenser:</b> | LKHA1054                                 |

*In keeping with our policy of continuing product improvement, Elkay reserves the right to change product specifications without notice. Please visit [elkay.com](http://elkay.com) for the most current version of Elkay product specification sheets. This specification describes an Elkay product with design, quality, and functional benefits to the user. When making a comparison of other producers' offerings, be certain these features are not overlooked.*