

**PRODUCT SPECIFICATIONS**

Elkay Quartz Classic 33" x 22" x 9-1/2", Equal Double Bowl Top Mount Sink with Aqua Divide. Sink is molded with up to 80% natural quartz and high performance acrylic resins that are non-porous providing superior heat, scratch, fade and stain resistance. Naturally sound deadening and Rear Center drain placement.

<b>Installation Type:</b>	Top Mount
<b>Material:</b>	Quartz
<b>Special Features:</b>	Aqua Divide
<b>Finish:</b>	Bisque (BQ), Black (BK), Dusk Gray (GY), Greige (GR), Greystone (GS), Mocha (MC), Pecan (PC), Putty (PT), Sand (SD), White (WH)
<b>Number of Bowls:</b>	2
<b>Sink Dimensions:</b>	33" x 22" x 9-1/2"
<b>Bowl 1 Dimensions:</b>	15-1/4" x 17-7/8" x 9-1/2"
<b>Bowl 2 Dimensions:</b>	15-1/4" x 17-7/8" x 9-1/2"
<b>Drain Size:</b>	3-1/2" (89mm)
<b>Drain Location:</b>	Rear Center
<b>Minimum Cabinet Size:</b>	36"
<b>Mounting Hardware:</b>	Part # 0000000222 (black/gray slot clip) OR Part # 64090408 (orange pin clip) included for countertops up to 1-3/4" (44mm) thick
<b>Cutout Template #:</b>	<a href="#">0000001442</a>

Template is available for download at [elkay.com](#)

**Cutout Dimensions for Top Mount Installation:**

32-3/8" x 21-3/8" (822mm x 543mm) with 1/2" (13mm) corner radius



AMERICAN PRIDE. A LIFETIME TRADITION.  
Like your family, the Elkay family has values and traditions that endure. For almost a century, Elkay has been a family-owned and operated company, providing thousands of jobs that support our families and communities.



Sinks are listed by IAPMO<sup>®</sup> as meeting the applicable requirements of the Uniform Plumbing Code<sup>®</sup>, International Plumbing Code<sup>®</sup>, and National Plumbing Code of Canada.

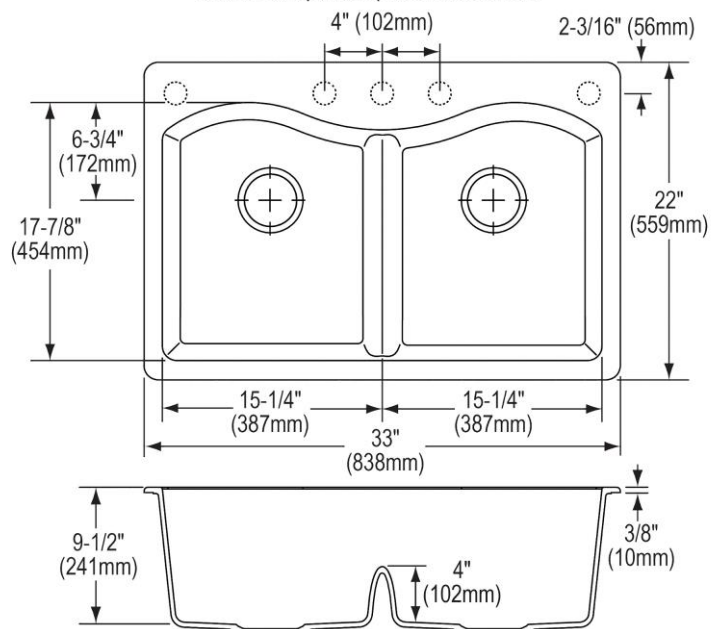
**Product Compliance:** CSA B45.5/IAPMO Z124

[Clean and Care Manual \(PDF\)](#)

[Installation Instructions \(PDF\)](#)

1-1/2" (38mm) Diameter Faucet Holes are Pre-Scored.

Installer can punch up to 5 faucet holes.



PART: \_\_\_\_\_ QTY: \_\_\_\_\_

PROJECT: \_\_\_\_\_

CONTACT: \_\_\_\_\_

DATE: \_\_\_\_\_

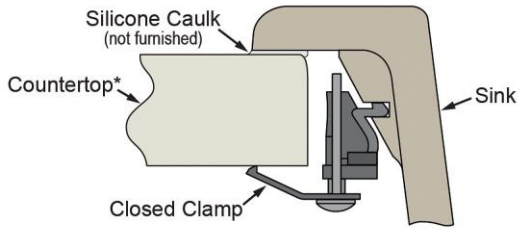
NOTES: \_\_\_\_\_

APPROVAL: \_\_\_\_\_

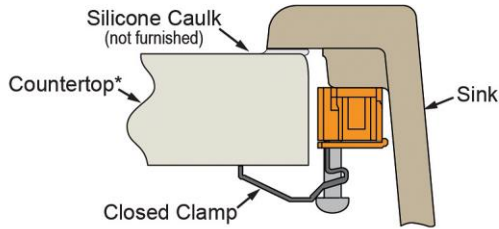
In keeping with our policy of continuing product improvement, Elkay reserves the right to change product specifications without notice. Please visit [elkay.com](#) for the most current version of Elkay product specification sheets. This specification describes an Elkay product with design, quality, and functional benefits to the user. When making a comparison of other producers' offerings, be certain these features are not overlooked.

**Installation Profile:**

**TOP MOUNT - BLACK/GRAY SLOT CLIP**



**TOP MOUNT - ORANGE PIN CLIP**



\*Maximum thickness for use of hold down system is 1-3/4" (44mm).

**OPTIONAL ACCESSORIES**

<b>Bottom Grid:</b>	LKWOBG1417LSS (left bowl), LKWOBG1417RSS (right bowl)
<b>Cutting Board:</b>	LKCB1417HW
<b>Drain:</b>	LKD35, LKS35, LK99
<b>Faucet:</b>	LKHA1031, LKHA2031, LKHA3041
<b>Soap Dispenser:</b>	LKHA1054

*In keeping with our policy of continuing product improvement, Elkay reserves the right to change product specifications without notice. Please visit [elkay.com](http://elkay.com) for the most current version of Elkay product specification sheets. This specification describes an Elkay product with design, quality, and functional benefits to the user. When making a comparison of other producers' offerings, be certain these features are not overlooked.*