

PRODUCT SPECIFICATIONS

Elkay Quartz Classic 33" x 22" x 9-1/2", Offset Double Bowl Top Mount Sink. Sink is molded with up to 80% natural quartz and high performance acrylic resins that are non-porous providing superior heat, scratch, fade and stain resistance. Naturally sound deadening and Rear Center drain placement.

Installation Type:	Top Mount
Material:	Quartz
Finish:	Bisque (BQ), Black (BK), Dusk Gray (GY), Greige (GR), Greystone (GS), Mocha (MC), Pecan (PC), Putty (PT), Sand (SD), White (WH)
Number of Bowls:	2
Sink Dimensions:	33" x 22" x 9-1/2"
Bowl 1 Dimensions:	14-1/8" x 18-3/16" x 9-1/2"
Bowl 2 Dimensions:	14-3/8" x 16-3/16" x 9-1/2"
Drain Size:	3-1/2" (89mm)
Drain Location:	Rear Center
Minimum Cabinet Size:	36"
Mounting Hardware:	Part # 0000000222 (black/gray slot clip) OR Part # 64090408 (orange pin clip) included for countertops up to 1-3/4" (44mm) thick
Cutout Template #:	0000001442

Template is available for download at [elkay.com](#)

Cutout Dimensions for Top Mount Installation:

32-3/8" x 21-3/8" (822mm x 543mm) with 1/2" (13mm) corner radius



AMERICAN PRIDE. A LIFETIME TRADITION.

Like your family, the Elkay family has values and traditions that endure. For almost a century, Elkay has been a family-owned and operated company, providing thousands of jobs that support our families and communities.



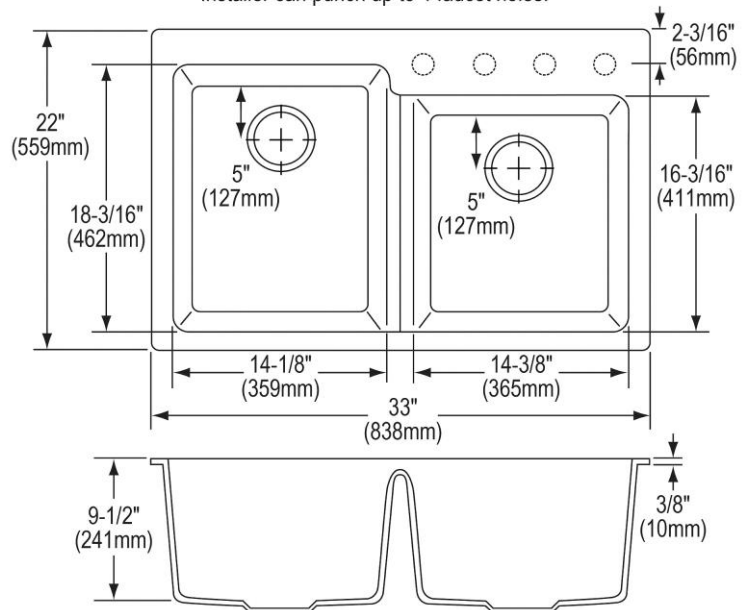
Sinks are listed by IAPMO® as meeting the applicable requirements of the Uniform Plumbing Code®, International Plumbing Code®, and National Plumbing Code of Canada.

Product Compliance: CSA B45.5/IAPMO Z124

[Clean and Care Manual \(PDF\)](#)

[Installation Instructions \(PDF\)](#)

1-1/2" (38mm) Diameter Faucet Holes on 4" (102mm) Centers are Pre-Scored. Installer can punch up to 4 faucet holes.



PART: _____ QTY: _____

PROJECT: _____

CONTACT: _____

DATE: _____

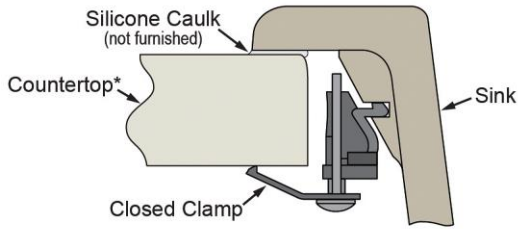
NOTES: _____

APPROVAL: _____

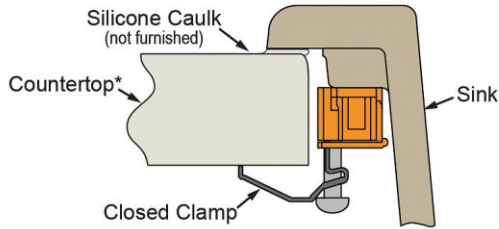
In keeping with our policy of continuing product improvement, Elkay reserves the right to change product specifications without notice. Please visit [elkay.com](#) for the most current version of Elkay product specification sheets. This specification describes an Elkay product with design, quality, and functional benefits to the user. When making a comparison of other producers' offerings, be certain these features are not overlooked.

Installation Profile:

TOP MOUNT - BLACK/GRAY SLOT CLIP



TOP MOUNT - ORANGE PIN CLIP



*Maximum thickness for use of hold down system is 1-3/4" (44mm).

OPTIONAL ACCESSORIES

Bottom Grid:	LKWOBG1518SS (large bowl), LKWOBG1516SS (small bowl)
Cutting Board:	LKCBEG1518HW (large bowl), LKCBEG1516HW (small bowl)
Drain:	LKD35, LKS35, LK99
Faucet:	LKGT1041, LKGT2041
Rinsing Basket:	LKWRB1518SS (large bowl), LKWERBSS (large bowl), LKWRB1516SS (small bowl)
Soap Dispenser:	LKGT1054

In keeping with our policy of continuing product improvement, Elkay reserves the right to change product specifications without notice. Please visit elkay.com for the most current version of Elkay product specification sheets. This specification describes an Elkay product with design, quality, and functional benefits to the user. When making a comparison of other producers' offerings, be certain these features are not overlooked.