

**PRODUCT SPECIFICATIONS**

Elkay Pacemaker Stainless Steel 33" x 21-1/4" x 7-1/2", Equal Double Bowl Top Mount Sink. Sink is manufactured from 20 gauge 304 Stainless Steel with a Brilliant Satin finish, Center drain placement, and Full spray sides and bottom.

|                              |  |
|------------------------------|--|
| <b>Installation Type:</b>    | Top Mount  |
| <b>Material:</b>             | 304 Stainless Steel  |
| <b>Finish:</b>               | Brilliant Satin  |
| <b>Gauge:</b>                | 20   |
| <b>Sound Deadening:</b>      | Full spray sides and bottom                                      |
| <b>Number of Bowls:</b>      | 2  |
| <b>Sink Dimensions:</b>      | 33" x 21-1/4" x 7-1/2"   |
| <b>Bowl 1 Dimensions:</b>    | 13-1/2" x 16" x 7-3/8"   |
| <b>Bowl 2 Dimensions:</b>    | 13-1/2" x 16" x 7-3/8"   |
| <b>Drain Size:</b>           | 3-1/2" (89mm)  |
| <b>Drain Location:</b>       | Center   |
| <b>Minimum Cabinet Size:</b> | 36"  |
| <b>Mounting Hardware:</b>    | Part # 64090014 included for countertops up to 3/4" (19mm) thick |
| <b>Cutout Template #:</b>    | <a href="#">1000001288</a>                                       |

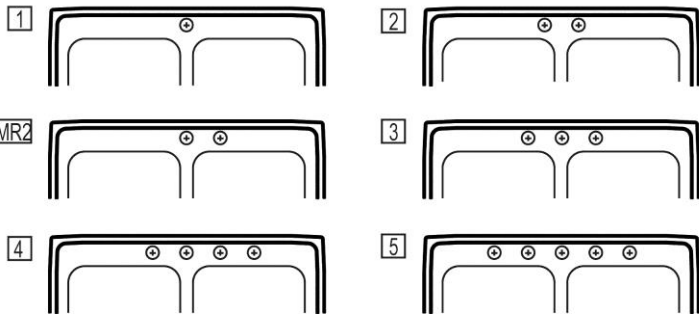
Template is available for download at [elkay.com](#)

**Cutout Dimensions for Top Mount Installation:**

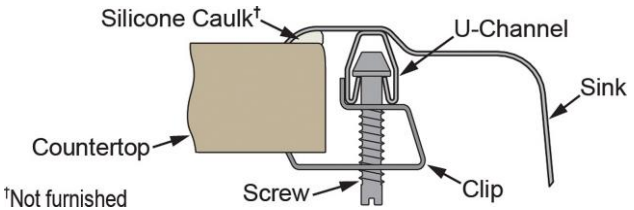
32-3/8" x 20-5/8" (822mm x 524mm) with 1-1/2" (38mm) corner radius

**Hole Drilling Configurations:**

1-1/2" (38mm) Diameter Faucet Holes on 4" (102mm) Centers



**Installation Profile:**



PART: \_\_\_\_\_ QTY: \_\_\_\_\_  
 PROJECT: \_\_\_\_\_  
 CONTACT: \_\_\_\_\_  
 DATE: \_\_\_\_\_  
 NOTES: \_\_\_\_\_  
 APPROVAL: \_\_\_\_\_



**AMERICAN PRIDE. A LIFETIME TRADITION.**

Like your family, the Elkay family has values and traditions that endure. For almost a century, Elkay has been a family-owned and operated company, providing thousands of jobs that support our families and communities.

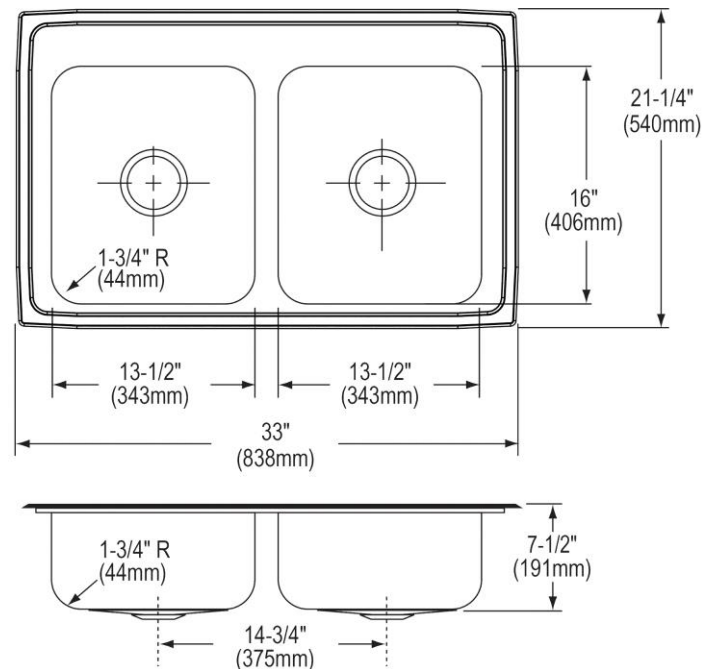


Sinks are listed by IAPMO<sup>®</sup> as meeting the applicable requirements of the Uniform Plumbing Code<sup>®</sup>, International Plumbing Code<sup>®</sup>, and National Plumbing Code of Canada.

**Product Compliance:** ASME A112.19.3/CSA B45.4  
BUY AMERICAN ACT

- [Clean and Care Manual \(PDF\)](#)
- [Installation Instructions \(PDF\)](#)
- [Limited Lifetime Warranty \(PDF\)](#)

**Similar models are available with:** N/A



In keeping with our policy of continuing product improvement, Elkay reserves the right to change product specifications without notice. Please visit [elkay.com](#) for the most current version of Elkay product specification sheets. This specification describes an Elkay product with design, quality, and functional benefits to the user. When making a comparison of other producers' offerings, be certain these features are not overlooked.

**OPTIONAL ACCESSORIES**

|                        |  |
|------------------------|--|
| <b>Bottom Grid:</b>    | LKWBG1316SS                              |
| <b>Cutting Board:</b>  | CB1613, CB1713, CBR1316,<br>CBS1316      |
| <b>Drain:</b>          | LK99                                     |
| <b>Faucet:</b>         | LKGT1041, LKGT2041                       |
| <b>Hardware:</b>       | LK364, LK463                             |
| <b>Rinsing Basket:</b> | LKWRB1316SS, LKWERBSS                    |
| <b>Sinkmate:</b>       | LKSM17, LKSMHOOK,<br>LKSMSPONGE, LKSMHSL |
| <b>Soap Dispenser:</b> | LKGT1054                                 |

*In keeping with our policy of continuing product improvement, Elkay reserves the right to change product specifications without notice. Please visit [elkay.com](http://elkay.com) for the most current version of Elkay product specification sheets. This specification describes an Elkay product with design, quality, and functional benefits to the user. When making a comparison of other producers' offerings, be certain these features are not overlooked.*