

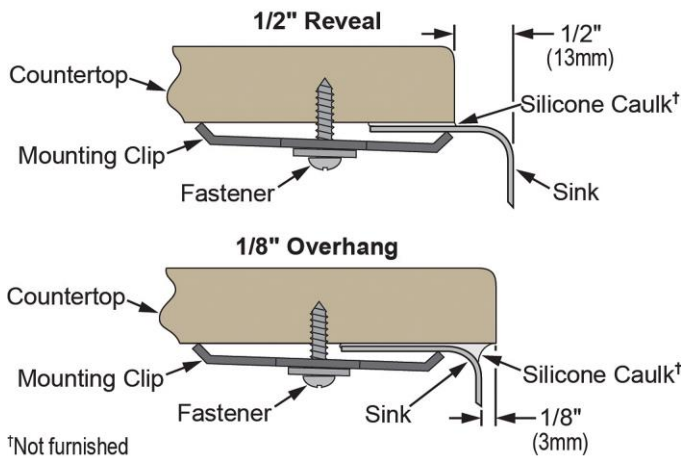
PRODUCT SPECIFICATIONS

Elkay Stainless Steel 31-1/4" x 20-1/2" x 8", Offset Double Bowl Undermount Sink Kit. Sink is manufactured from 18 gauge 304 Stainless Steel with a Soft Highlighted Satin finish, Rear Center drain placement, and Sound Guard.

Installation Type:	Undermount
Material:	304 Stainless Steel
Finish:	Soft Highlighted Satin
Gauge:	18
Sound Deadening:	Sound Guard
Number of Bowls:	2
Sink Dimensions:	31-1/4" x 20-1/2" x 8"
Bowl 1 Dimensions:	13-1/2" x 18" x 8"
Bowl 2 Dimensions:	14" x 15-3/4" x 8"
Drain Size:	3-1/2" (89mm)
Drain Location:	Rear Center
Minimum Cabinet Size:	36"
Mounting Hardware:	Part # 54300008 included
Template Included:	Yes
Cutout Template #:	74180475

Template is available for download at [elkay.com](#)

Installation Profile:



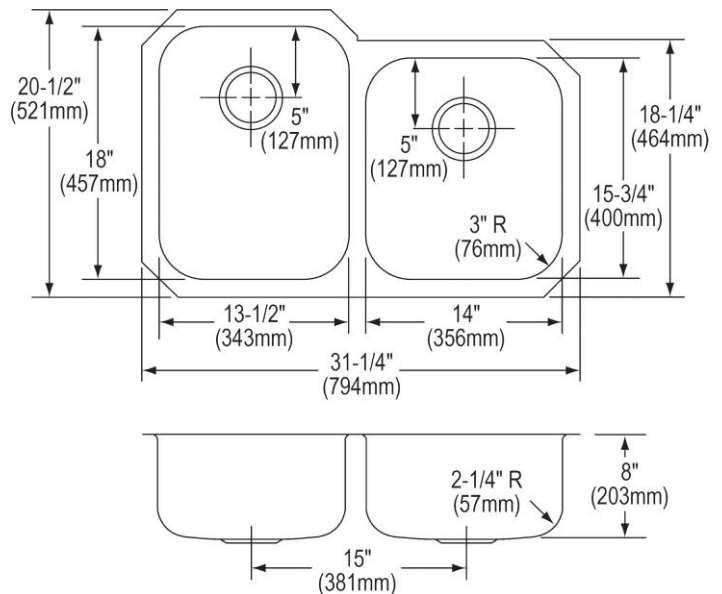
Included with Product: EGUH3120R sink,
one LKWOBG1318SS bottom grid,
one LK99 drain

AMERICAN PRIDE. A LIFETIME TRADITION.
Like your family, the Elkay family has values and traditions that endure. For almost a century, Elkay has been a family-owned and operated company, providing thousands of jobs that support our families and communities.

Product Compliance: ASME A112.19.3/CSA B45.4
Accessory: ASME A112.18.2/CSA B125.2

[Clean and Care Manual \(PDF\)](#)
[Installation Instructions \(PDF\) - 74180195](#)
[Installation Instructions \(PDF\) - 74210010_Drain](#)
[Limited Lifetime Warranty \(PDF\)](#)

Similar models are available with: extra deep bowls,
small bowl on the opposite side



PART: _____ QTY: _____
PROJECT: _____
CONTACT: _____
DATE: _____
NOTES: _____
APPROVAL: _____

In keeping with our policy of continuing product improvement, Elkay reserves the right to change product specifications without notice. Please visit [elkay.com](#) for the most current version of Elkay product specification sheets. This specification describes an Elkay product with design, quality, and functional benefits to the user. When making a comparison of other producers' offerings, be certain these features are not overlooked.

OPTIONAL ACCESSORIES

Bottom Grid:	LKWOBG1415SS
Cutting Board:	CB1516
Faucet:	LKGT1041, LKGT2041
Rinsing Basket:	LKWRB1318SS, LKWERBSS, LKWRB1316SS
Sinkmate:	LKSM17, LKSMHOOK, LKSMSPONGE, LKSMHSL
Soap Dispenser:	LKGT1054

In keeping with our policy of continuing product improvement, Elkay reserves the right to change product specifications without notice. Please visit elkay.com for the most current version of Elkay product specification sheets. This specification describes an Elkay product with design, quality, and functional benefits to the user. When making a comparison of other producers' offerings, be certain these features are not overlooked.