

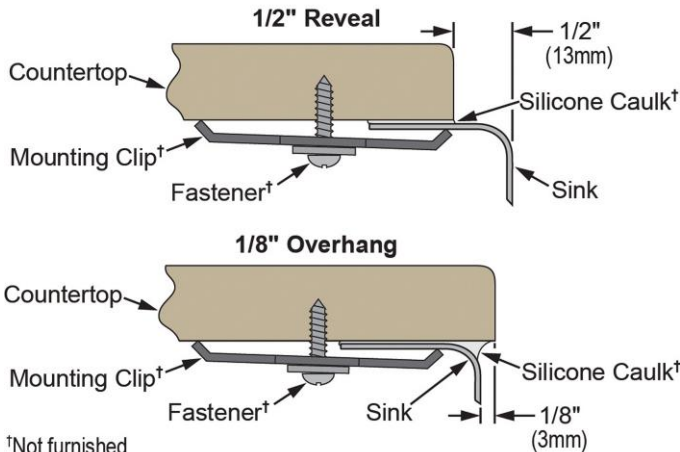
PRODUCT SPECIFICATIONS

Elkay Lustertone Stainless Steel 31-3/4" x 16-1/2" x 7-1/2", Equal Double Bowl Undermount Sink Kit. Sink is manufactured from 18 gauge 304 Stainless Steel with a Lustertone finish, Center drain placement, and Sound Guard.

| | |
|------------------------------|-------------------------------------|
| Installation Type: | Undermount |
| Material: | 304 Stainless Steel |
| Finish: | Lustertone |
| Gauge: | 18 |
| Sound Deadening: | Sound Guard |
| Number of Bowls: | 2 |
| Sink Dimensions: | 31-3/4" x 16-1/2" x 7-1/2" |
| Bowl 1 Dimensions: | 14" x 14" x 7-1/2" |
| Bowl 2 Dimensions: | 14" x 14" x 7-1/2" |
| Drain Size: | 3-1/2" (89mm) |
| Drain Location: | Center |
| Minimum Cabinet Size: | 36" |
| Mounting Hardware: | Undermount brackets sold separately |
| Template Included: | Yes |
| Cutout Template #: | 1000001292 |

Template is available for download at [elkay.com](#)

Installation Profile:



†Not furnished

Designed to affix to the underside of any solid surface countertop.



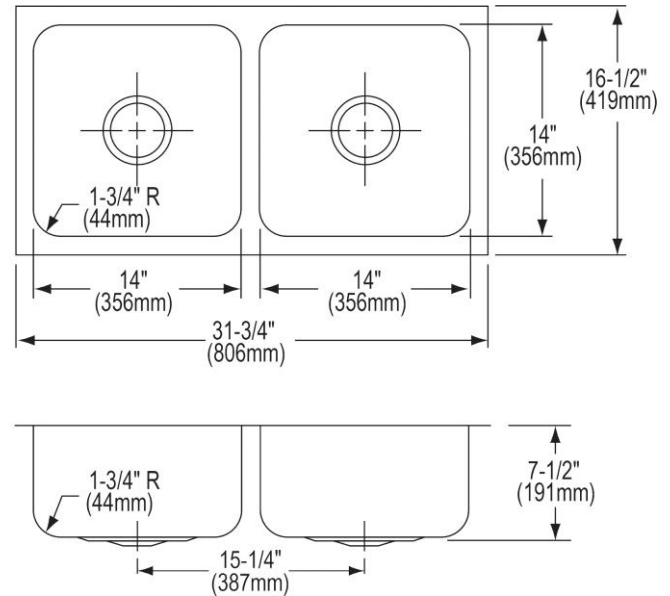
Included with Product: ELUH3116 sink,
one LKWBG1414SS bottom grid,
one LK99 drain

AMERICAN PRIDE. A LIFETIME TRADITION.
Like your family, the Elkay family has values and traditions that endure. For almost a century, Elkay has been a family-owned and operated company, providing thousands of jobs that support our families and communities.



Product Compliance: ASME A112.19.3/CSA B45.4
BUY AMERICAN ACT
Accessory: ASME A112.18.2/CSA B125.2

[Clean and Care Manual \(PDF\)](#)
[Installation Instructions \(PDF\) - 74180187](#)
[Installation Instructions \(PDF\) - 74210010_Drain](#)
[Limited Lifetime Warranty \(PDF\)](#)



PART: _____ QTY: _____
PROJECT: _____
CONTACT: _____
DATE: _____
NOTES: _____
APPROVAL: _____

In keeping with our policy of continuing product improvement, Elkay reserves the right to change product specifications without notice. Please visit [elkay.com](#) for the most current version of Elkay product specification sheets. This specification describes an Elkay product with design, quality, and functional benefits to the user. When making a comparison of other producers' offerings, be certain these features are not overlooked.

OPTIONAL ACCESSORIES

| | |
|------------------------|--|
| Faucet: | LKGT1041, LKGT2041 |
| Hardware: | LKUCLIP8 (2 Required) |
| Rinsing Basket: | LKWRB1414SS |
| Sinkmate: | LKSM17, LKSMHOOK, LKSMSPONGE, LKSMHSL |
| Soap Dispenser: | LKGT1054 |

In keeping with our policy of continuing product improvement, Elkay reserves the right to change product specifications without notice. Please visit elkay.com for the most current version of Elkay product specification sheets. This specification describes an Elkay product with design, quality, and functional benefits to the user. When making a comparison of other producers' offerings, be certain these features are not overlooked.