

PRODUCT SPECIFICATIONS

Elkay Gourmet Stainless Steel 30-1/2" x 18-1/2" x 7-1/2", Single Bowl Undermount Sink. Overall dimensions are 30-1/2" x 18-1/2" x 7-1/2". Sink is manufactured from 18 gauge 304 Stainless Steel with a Lustrous Highlighted Satin finish, Rear Center drain placement, and Sound Guard.

| | |
|------------------------------|-------------------------------------|
| Installation Type: | Undermount |
| Material: | 304 Stainless Steel |
| Special Features: | e-dock |
| Finish: | Lustrous Highlighted Satin |
| Gauge: | 18 |
| Sound Deadening: | Sound Guard |
| Number of Bowls: | 1 |
| Sink Dimensions: | 30-1/2" x 18-1/2" x 7-1/2" |
| Bowl 1 Dimensions: | 28" x 16" x 7-1/2" |
| Drain Size: | 3-1/2" (89mm) |
| Drain Location: | Rear Center |
| Minimum Cabinet Size: | 36" |
| Mounting Hardware: | Undermount brackets sold separately |
| Template Included: | Yes |
| Cutout Template #: | 1000001414 |

Template is available for download at elkay.com

e-dock sinks have been designed to allow stainless steel accessories to be magnetically positioned on any of the four side-walls of the sink. Each e-dock sink is shipped with the stainless steel hook accessory (LKEKHOOK). Additional e-dock accessories are available. **Patent Pending**

Warning: This product contains magnets. Keep away from credit cards, computer hard drives, magnetic I.D. cards, and other magnetic media. Magnets may interfere with medical devices such as pacemakers. Consult your physician before use. Pinch hazard - magnets can jump out of your hands and snap together from a surprising distance before you realize what's happening.



Included with Product: LKEKHOOK eDock Hook

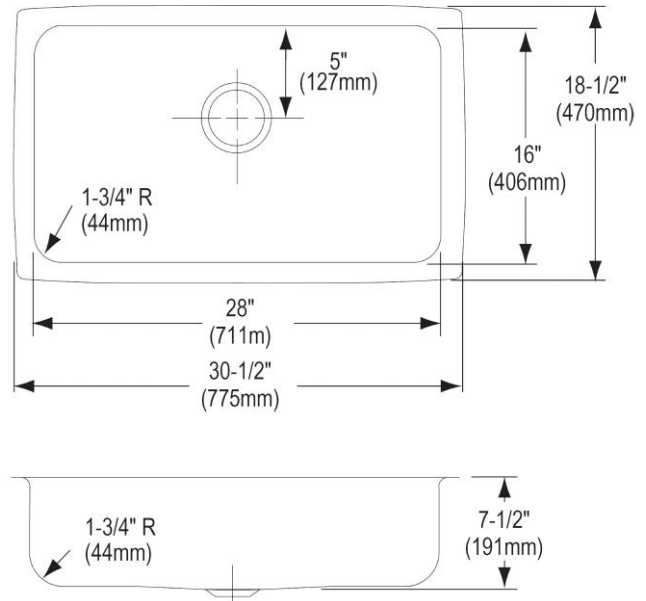
AMERICAN PRIDE. A LIFETIME TRADITION. Like your family, the Elkay family has values and traditions that endure. For almost a century, Elkay has been a family-owned and operated company, providing thousands of jobs that support our families and communities.



Product Compliance: ASME A112.19.3/CSA B45.4
BUY AMERICAN ACT

[Clean and Care Manual \(PDF\)](#)
[Installation Instructions \(PDF\)](#)
[Limited Lifetime Warranty \(PDF\)](#)

Similar models are available with: extra deep bowls



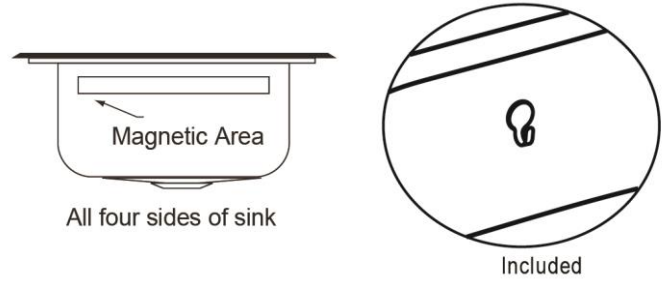
PART: _____ QTY: _____
PROJECT: _____
CONTACT: _____
DATE: _____
NOTES: _____
APPROVAL: _____

In keeping with our policy of continuing product improvement, Elkay reserves the right to change product specifications without notice. Please visit elkay.com for the most current version of Elkay product specification sheets. This specification describes an Elkay product with design, quality, and functional benefits to the user. When making a comparison of other producers' offerings, be certain these features are not overlooked.

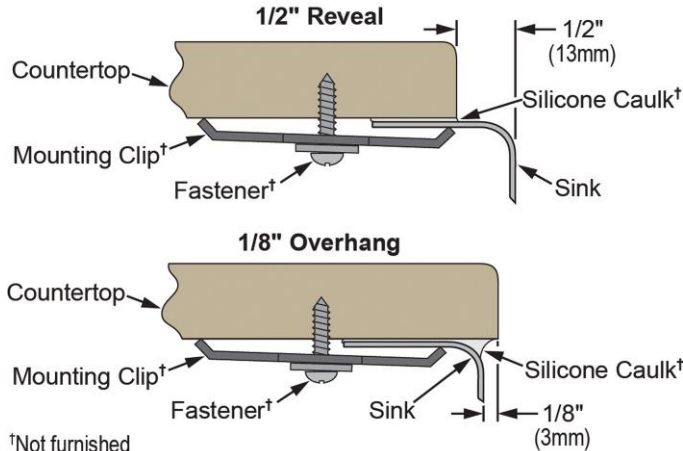
e-dock ACCESSORIES*

| Model Number | Description | Overall | | | Material |
|--------------|----------------|-------------------|-------------------|------------------|-----------------|
| | | L | W | D | |
| LKEKSPONGE | Sponge Holder | 3-1/2 (89mm) | 1-1/4 (32mm) | 3-1/8 (79mm) | Stainless Steel |
| LKEKLEDGE | Ledge | 2-5/8 (67mm) | 3-1/2 (89mm) | 3-7/8 (98mm) | Stainless Steel |
| LKEKHOOK | Hook | 1-3/4 (44mm) | 1-1/8 (29mm) | 2-7/16 (62mm) | Stainless Steel |
| LKEKUTENSIL | Utensil Holder | 3 (76mm) | 2-1/2 (51mm) | 5-3/8 (137mm) | Stainless Steel |
| LKDEK35 | Disposal Cover | 2-11/16 (68mm) | 2-11/16 (68mm) | 1-1/4 (32mm) | Stainless Steel |

*Furnished with magnet (LKEKMAGNET)



Installation Profile:



†Not furnished
Designed to affix to the underside of any solid surface countertop.

OPTIONAL ACCESSORIES

| | |
|------------------------|---|
| Bottom Grid: | LKWOBG2816SS |
| Drain: | LK99 |
| Faucet: | LKGT1041, LKGT2041 |
| Hardware: | LKUCLIP8 (2 Required) |
| Rinsing Basket: | LKWWRB2816SS, LKWWRBSS |
| Sinkmate: | LKDEK35, LKEKLEDGE, LKEKSPONGE, LKEKUTENSIL |
| Soap Dispenser: | LKGT1054 |

In keeping with our policy of continuing product improvement, Elkay reserves the right to change product specifications without notice. Please visit elkay.com for the most current version of Elkay product specification sheets. This specification describes an Elkay product with design, quality, and functional benefits to the user. When making a comparison of other producers' offerings, be certain these features are not overlooked.