

ELKAY[®]

SPECIFICATIONS

Gourmet Undermount Sink With Work Shelf and Perfect Drain™

Models ELUHWS3120LPD and ELUHWS3120RPD

GENERAL

Highest quality sink formed of #18 (1.2mm) gauge, type 304 (18-8) nickel bearing stainless steel with **Perfect Drain**.
LKWS1418SS Work Shelf included. Undermount.

DESIGN FEATURES

Bowl Depth: 7-7/8" (200mm), Overall depth: 9-3/8" (238mm) (Small Bowl)
9-7/8" (251mm), Overall depth: 11-3/8" (289mm) (Large Bowl)

Coved Corners: 1-3/4" (44mm) vertical and horizontal radius.

Finish: Exposed surfaces are hand blended to a Lustrous Highlighted Satin finish.

Underside: Fully protected by Sound Guard[®] undercoating to reduce condensation and dampen sound.

Smart Support System: Located 4-1/2" (114mm) from the top of the sink in the large bowl to allow use of the LKWS1418SS Work Shelf.

Perfect Drain: Seamlessly welded stainless steel collar eliminates the gap between a traditional drain and the sink for a sanitary and gap free installation. Each sink shipped with two LKPD1 drain kits, or a garbage disposer can be installed on either sink bowl for user convenience.

Patent Pending

OTHER

Drain opening: 3-3/8" (86mm)

Suffix L (left) or R (right) denotes location of the small bowl.

NOTE: All Elkay undermount sinks are designed to affix to the underside of any solid surface countertop.

Waste Fitting complies with ASME A112.18.2/CAN/CSA-B125.2

Sink complies with ASME A112.19.3-2008 / CSA B45.4-08.



These sinks are listed by the International Association of Plumbing and Mechanical Officials as meeting the requirements of the Uniform Plumbing Code and the National Plumbing Code of Canada.

ACCESSORIES*

Model Number	Description	Bowl	Overall			Material/Finish
			L	W	Depth/Thickness	
LKWS1418SS	Work Shelf	Large	13-13/16 (351mm)	17-3/4 (451mm)	1/4 (6mm)	Polished Stainless Steel

*Length is left to right. Width is front to back.

OPTIONAL ACCESSORIES

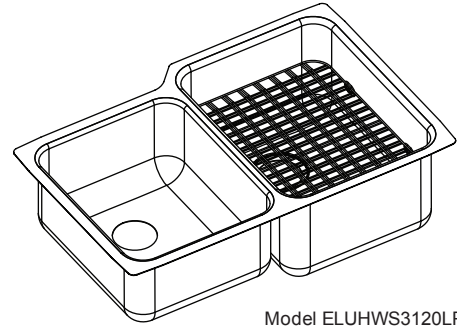
Bottom Grids: LKWOBG1418SS (large bowl), LKWOBG1316SS (small bowl).

Cutting Boards: CBR1418, CBS1418 (large bowl), CB1613, CB1713, CBR1316, CBS1316 (small bowl).

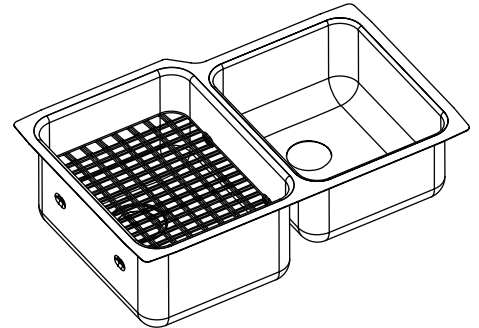
Mounting Clip: LKUCLIP8 (2 packages required).

Rinsing Baskets: LKWRB1418SS (large bowl), LKWRB1316SS (small bowl), LKWERBSS (either bowl).

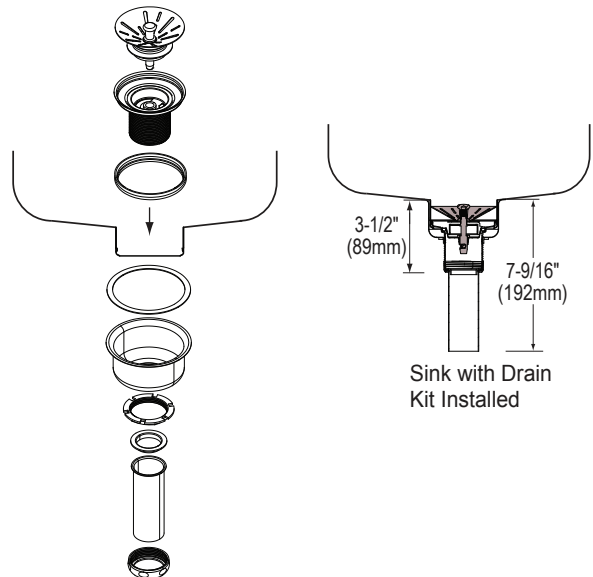
Utensil Caddy for Rinsing Basket: LKWUCSS.



Model ELUHWS3120LPD



Model ELUHWS3120RPD



In keeping with our policy of continuing product improvement, Elkay reserves the right to change product specifications without notice. Please visit elkayusa.com for most current version of Elkay product specification sheets.

This specification describes an Elkay product with design, quality, and functional benefits to the user. When making a comparison of others producers offerings, be certain these features are not overlooked.

ELKAY[®] SPECIFICATIONS

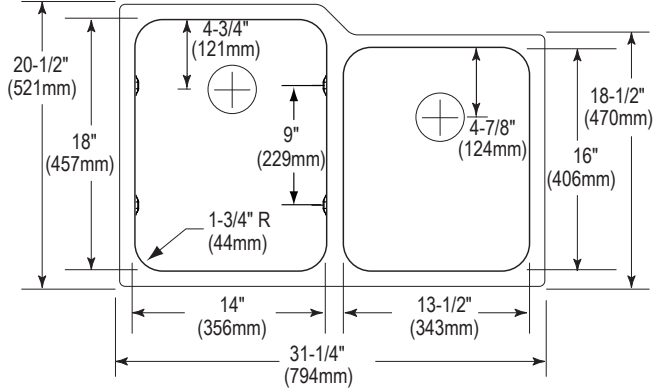
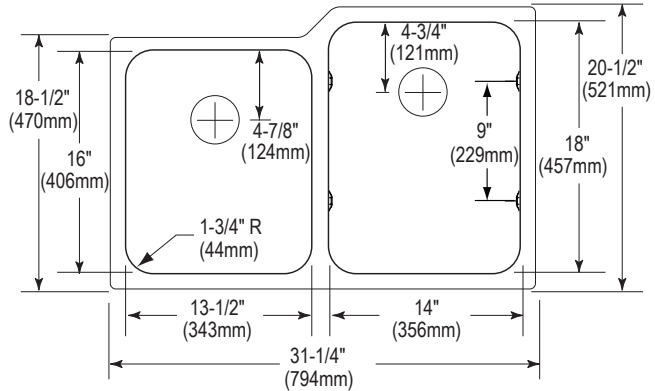
Gourmet Undermount Sink With Work Shelf and Perfect Drain™ Models ELUHWS3120LPD and ELUHWS3120RPD

SINK DIMENSIONS*

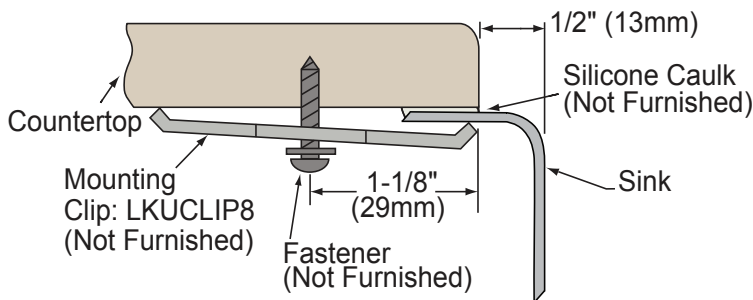
Model Number	Overall				Inside Left Bowl			Inside Right Bowl			Cutout in Countertop	Minimum Cabinet Size
	L	W	D Left	D Right	L	W	D	L	W	D		
ELUHWS3120LPD	31-1/4 (794mm)	20-1/2 (521mm)	9-3/8 (238mm)	11-3/8 (289mm)	13-1/2 (343mm)	16 (406mm)	7-7/8 (200mm)	14 (356mm)	18 (457mm)	9-7/8 (251mm)	See Template**	36 (914mm)
ELUHWS3120RPD	31-1/4 (794mm)	20-1/2 (521mm)	11-3/8 (289mm)	9-3/8 (238mm)	14 (356mm)	18 (457mm)	9-7/8 (251mm)	13-1/2 (343mm)	16 (406mm)	7-7/8 (200mm)		36 (914mm)

*Length is left to right. Width is front to back.

**Template # 74180233 is packed with every sink.



Installation Profile 1/2" (13mm) Reveal



Designed to affix to the underside of any solid surface countertop.

in sink erator[®]

Elkay[®] Perfect Drain™ sinks are designed and approved for compatible disposers manufactured by InSinkErator[®] utilizing the Quick Lock[®] mounting configuration. Use of non-approved disposers may void Elkay warranty.

InSinkErator, Quick Lock and the mounting collar configuration are trademarks of Emerson Electric Co.



In keeping with our policy of continuing product improvement, Elkay reserves the right to change product specifications without notice. Please visit elkayusa.com for most current version of Elkay product specification sheets.

This specification describes an Elkay product with design, quality, and functional benefits to the user. When making a comparison of others producers offerings, be certain these features are not overlooked.