

ELKAY[®]

SPECIFICATIONS

Gourmet e-dock™ Undermount Sink with Perfect Drain™ Model ELUH3118PDK

GENERAL

Highest quality sink formed of #18 (1.2mm) gauge, type 304 (18-8) nickel bearing stainless steel with **Perfect Drain** and **e-dock**. Undermount.

DESIGN FEATURES

Bowl Depths: 7-7/8" (200mm), Overall 9-3/8" (238mm)
 Coved Corners: 1-3/4" (44mm) vertical and horizontal radius.
 Finish: Exposed surfaces are hand blended to a Lustrous Highlighted Satin finish.
 Underside: Fully protected by Sound Guard[®] undercoating to reduce condensation and dampen sound.

Perfect Drain: Seamlessly welded stainless steel collar eliminates the gap between a traditional drain and the sink for a sanitary and gap free installation. Each sink shipped with two LKPD1 drain kits, or a garbage disposer can be installed on either sink bowl for user convenience.

Patent Pending.

e-dock sinks have been designed to allow stainless steel accessories to be magnetically positioned on any of the four sidewalls of the sink. Each e-dock sink is shipped with the stainless steel hook accessory (LKEKHOOK). Additional e-dock accessories are available.

Patent Pending

OTHER

Drain opening: 3-3/8" (86mm)

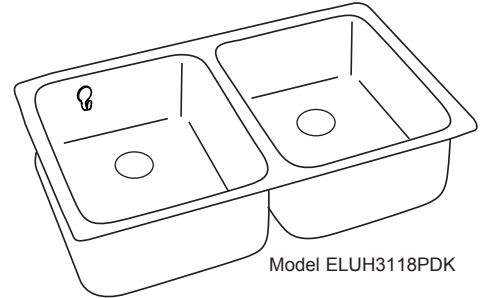
NOTE: All Elkay undermount sinks are designed to affix to the underside of any solid surface countertop.

Waste Fitting complies with ASME A112.18.2/CAN/CSA-B125.2

Sink complies with ASME A112.19.3-2008 / CSA B45.4-08.



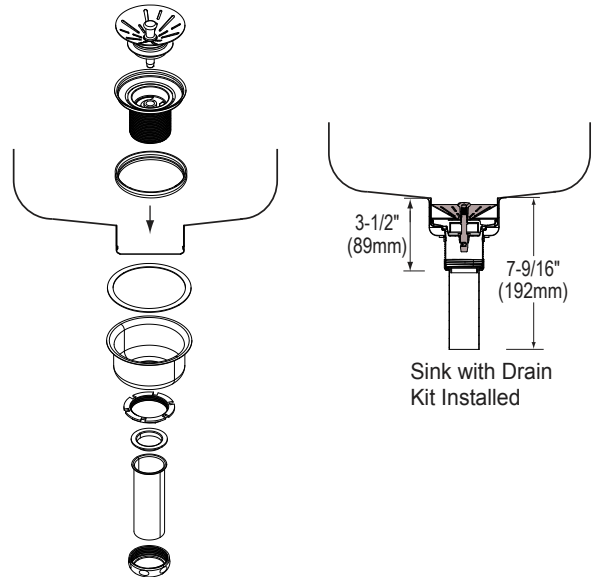
These sinks are listed by the International Association of Plumbing and Mechanical Officials as meeting the requirements of the Uniform Plumbing Code and the National Plumbing Code of Canada.



Model ELUH3118PDK



Included



Sink with Drain Kit Installed

e-dock ACCESSORIES*

Model Number	Description	Overall			Material
		L	W	D	
LKEKSPONGE	Sponge Holder	3-1/2 (89mm)	1-1/4 (32mm)	3-1/8 (79mm)	Stainless Steel
LKEKLEDGE	Ledge	2-5/8 (67mm)	3-1/2 (89mm)	3-7/8 (98mm)	Stainless Steel
LKEKHOOK	Hook	1-3/4 (44mm)	1-1/8 (29mm)	2-7/16 (62mm)	Stainless Steel
LKEKUTENSIL	Utensil Holder	3 (76mm)	2-1/2 (51mm)	5-3/8 (137mm)	Stainless Steel
LKDEK35	Disposal Cover	2-11/16 (68mm)	2-11/16 (68mm)	1-1/4 (32mm)	Stainless Steel

*Furnished with magnet (LKEKMAGNET)



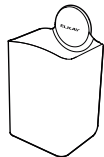
LKEKSPONGE



LKEKLEDGE



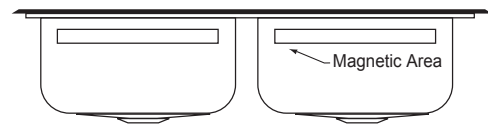
LKEKHOOK



LKEKUTENSIL



LKDEK35



All four sides of sink

Warning: This product contains magnets. Keep away from credit cards, computer hard drives, magnetic I.D. cards, and other magnetic media. Magnets may interfere with medical devices such as pacemakers. Consult your physician before use. Pinch hazard - magnets can jump out of your hands and snap together from a surprising distance before you realize what's happening.

In keeping with our policy of continuing product improvement, Elkay reserves the right to change product specifications without notice. Please visit elkayusa.com for most current version of Elkay product specification sheets.

This specification describes an Elkay product with design, quality, and functional benefits to the user. When making a comparison of others producers offerings, be certain these features are not overlooked.

Elkay

elkayusa.com

2222 Camden Court
Oak Brook, IL 60523

Printed in U.S.A.
©2011 Elkay

(Rev. 10/11) 1-437A

ELKAY[®]

SPECIFICATIONS

Gourmet e-dock™ Undermount Sink with Perfect Drain™ Model ELUH3118PDK

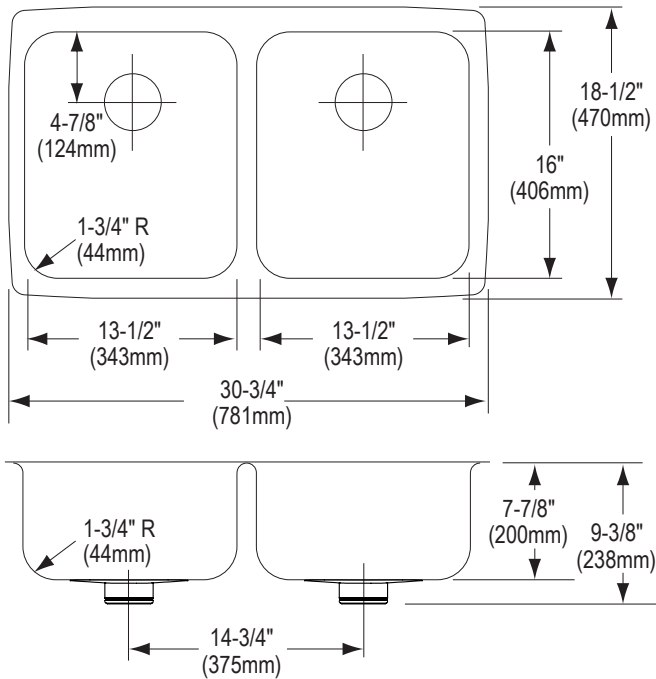
OPTIONAL ACCESSORIES

Bottom Grid: LKWOBG1316SS
 Cutting Boards: CB1613, CB1713, CBR1316, CBS1316
 Mounting Clip: LKUCLIP8 (2 packages required)
 Rinsing Baskets: LKWWRB1316SS, LKWWRBSS
 Utensil Caddy for Rinsing Basket: LKWUCSS

SINK DIMENSIONS*

Model Number	Overall				Inside Left Bowl			Inside Right Bowl			Cutout in Countertop	Minimum Cabinet Size
	L	W	D Left	D Right	L	W	D	L	W	D		
ELUH3118PDK	30-3/4 (781mm)	18-1/2 (470mm)	9-3/8 (238mm)	9-3/8 (238mm)	13-1/2 (343mm)	16 (406mm)	7-7/8 (200mm)	13-1/2 (343mm)	16 (406mm)	7-7/8 (200mm)	See Template**	36 (914mm)

*Length is left to right. Width is front to back.
 **Template #74180168 is packed with every sink.



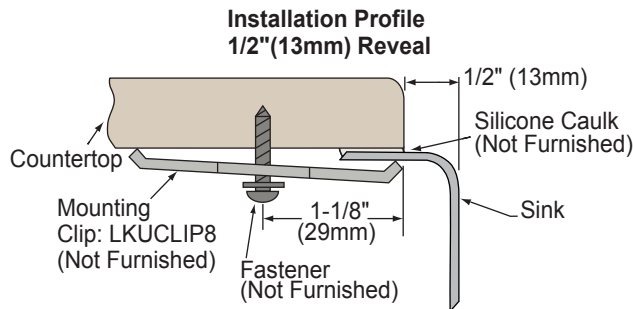
Model ELUH3118PDK Illustrated

in sink erator[®]

Elkay[®] Perfect Drain™ sinks are designed and approved for compatible disposers manufactured by InSinkErator[®] utilizing the Quick Lock[®] mounting configuration. Use of non-approved disposers may void Elkay warranty.

InSinkErator, Quick Lock and the mounting collar configuration are trademarks of Emerson Electric Co.





Designed to affix to the underside of any solid surface countertop.

