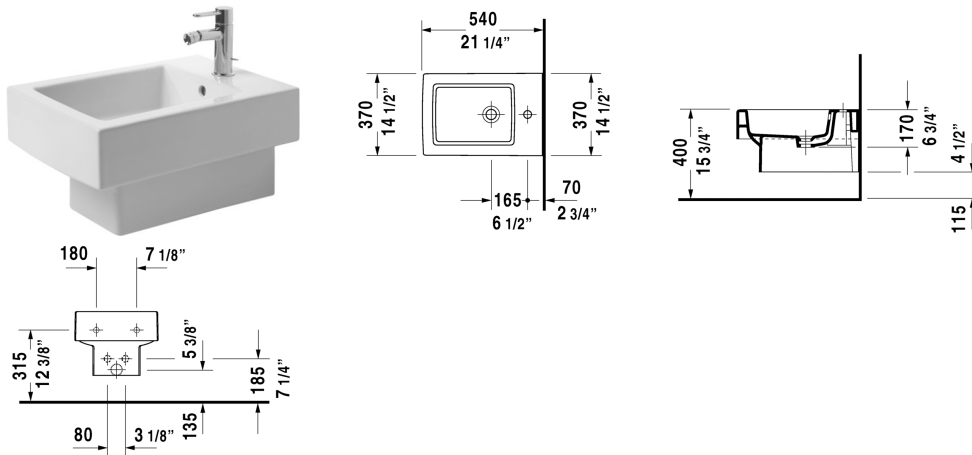


Vero Bidet wall-mounted # 223915..00

| < 14 5/8" Inch > |



Bidet wall-mounted	Dimension	Weight	Order number
with overflow, cUPC listed, with tap platform, 14 5/8" Inch			
Colors			
00 White 08 Black			
Variant			
	14 5/8" x 21 1/4" Inch	47 lb	223915..00
Infobox			
In-wall carrier required for installation			
Sanitary ceramics with the special WonderGliss surface finish will remain clean and attractive-looking for a long time to come. When ordering WonderGliss please add a "1" as eleventh digit to the model number.			
Hardware for wall-mounted bidet and wall-mounted toilet	Ø 1/2" x 7 1/8" Inch	0.4 lb	006500
Siphon for bidet with extended outlet pipe	1 1/4" x 19 3/4" Inch	1.3 lb	005027
Carrier for bidet		30 lb	111520

All drawings contain the necessary measurements which are subject to standard tolerances. They are stated in inch & mm and are non-binding. Exact measurements, in particular for customized installation scenarios, can only be taken from the finished ceramic piece.