

Starck 3

Mounting instructions

Flushometer, toilet seat and cover and seat ring

0066010000

0062110000



Important information

4

en



Installation

5



Important information

Regarding the mounting instructions

These mounting instructions come as part of the Duravit product and should be read carefully prior to installation.

Explanation of the key words and symbols

NOTICE

In the case of potential damage to property



Inspection (e.g. for scratches)

Target group and qualification

The toilet seat must be installed by certified plumber.

NOTICE

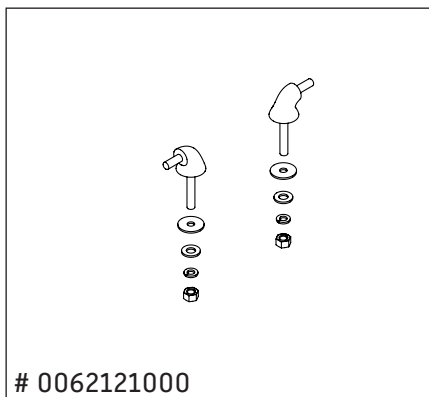
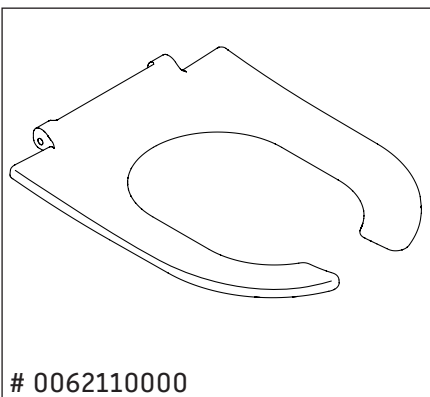
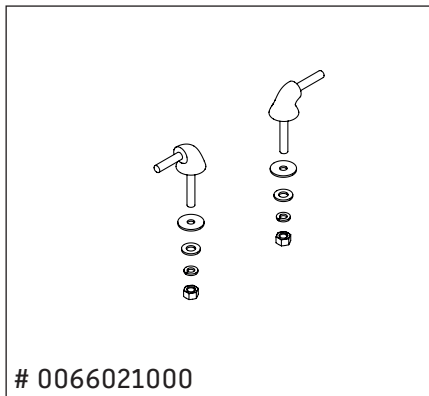
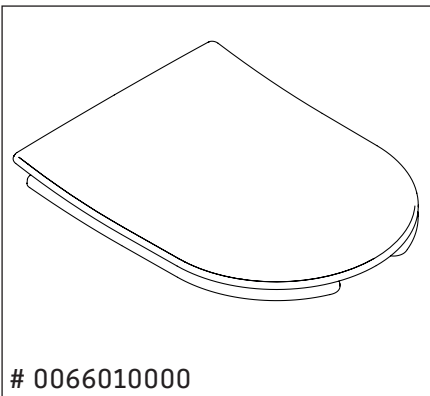
Local installation regulations and any country-specific standards must be observed at all times.

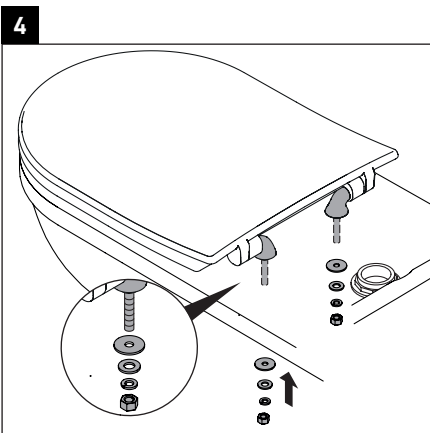
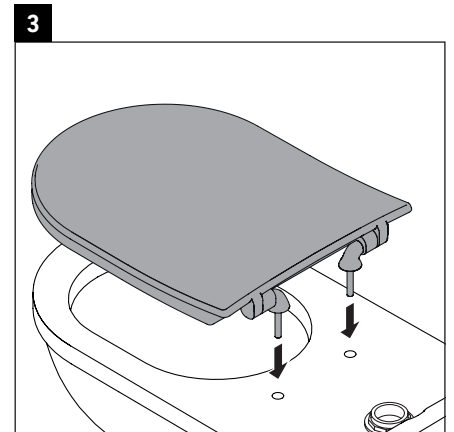
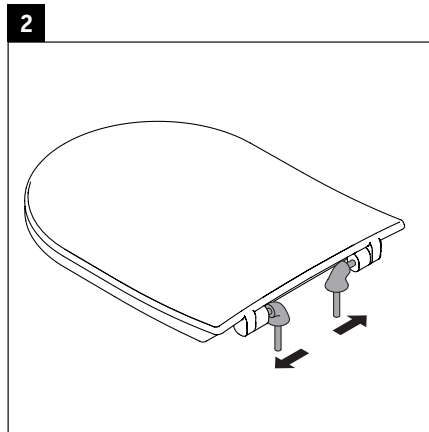
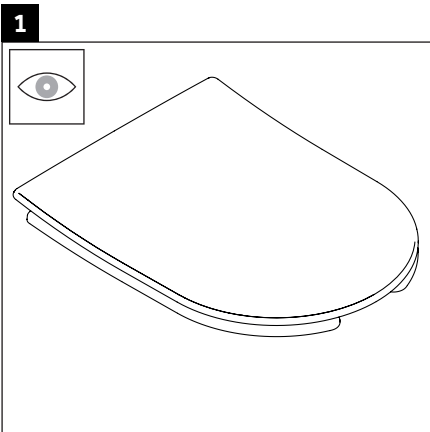
Safety information

NOTICE

Risk of product damage. Overtightening may cause breakage or chipping of vitreous china.

> Handle with care.





Duravit USA, Inc.
105 Madison Avenue
New York, NY 10016
Toll Free 888-DURAVIT
Phone 212 686 0033
Fax 212 686 8033
info@us.duravit.com
www.duravit.us

Duravit USA, Inc.
2205 Northmont Parkway
Suite 200
Duluth, GA 30096
Phone +1 770 931 3575
Fax +1 770 931 8454
info@us.duravit.com
www.duravit.us

