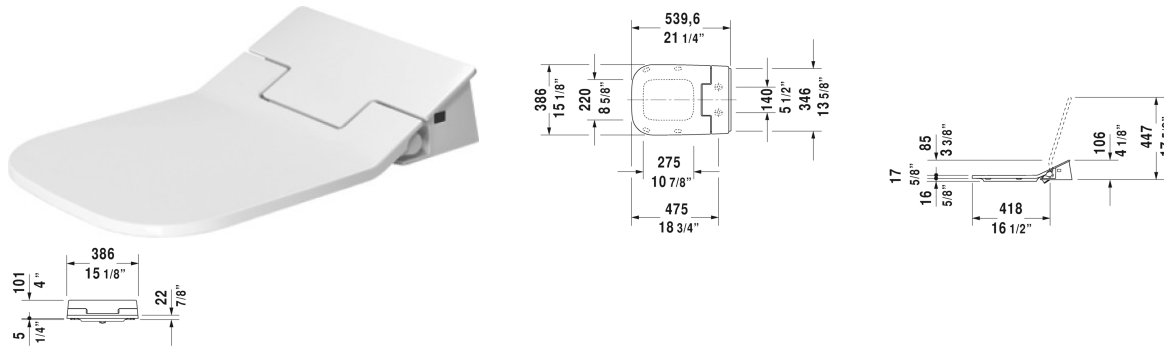


SensoWash® Slim SensoWash Slim shower-toilet seat # 611400001001300

< 15 1/8" Inch >



SensoWash Slim shower-toilet seat	Dimension	Weight	Order number
with concealed connections, remote control included, Locking function via remote control, rear-, front and oscillating wash, Individual adjustment of water temperature as well as spray wand position and water spray intensity, self-cleaning wand, with slow close, night light, Seat and lid easy removable one-handed, Automatic drainage in periods of prolonged disuse, on / off-button, cIAPMO®ELECTRICAL			
Colors			
00 White			
Variant			
AC 100 - 120V 50 - 60Hz	15 1/8" x 21 1/4" Inch	12.1 lb	611400001001300
Infobox			
Install a water water softener with water hardness ≥ 2.4 mmol/l ($\geq 14^\circ$ dH or 24° fH)., Suitable for selected P3 Comforts ceramics			
Suitable products			
Toilet wall-mounted Duravit Rimless® rimless, washdown model, Durafix included, only in combination with SensoWash, connecting elements for SensoWash with concealed connections included, cUPC listed, 15" x 22 1/2" Inch	15" x 22 1/2" Inch		256159
Floor standing toilet Duravit Rimless® rimless, back-to-wall, hardware included, washdown model, connecting elements for SensoWash with concealed connections included, horizontal outlet, only in combination with SensoWash, 15" x 23 5/8" Inch	15" x 23 5/8" Inch		216659
Two-Piece toilet (without tank), connecting elements for SensoWash with concealed connections included, US-version toilet, syphonic, only in combination with SensoWash, 12" rough-in, vertical outlet, cUPC listed, 15" x 28" Inch	15" x 28" Inch		216851

SensoWash® Slim SensoWash Slim shower-toilet seat #
611400001001300

|< 15 1/8" Inch >|

One-Piece toilet Duravit Rimless® US-version toilet, connecting elements for SensoWash with concealed connections included, syphonic, 12" rough-in, vertical outlet, only in combination with SensoWash, 15" x 28" Inch	15" x 28" Inch
-------------------------------------------------------------------------------------------------------------------------------------------------------------------------------------------------------------------------	----------------

217551

All drawings contain the necessary measurements which are subject to standard tolerances. They are stated in inch & mm and are non-binding. Exact measurements, in particular for customized installation scenarios, can only be taken from the finished ceramic piece.