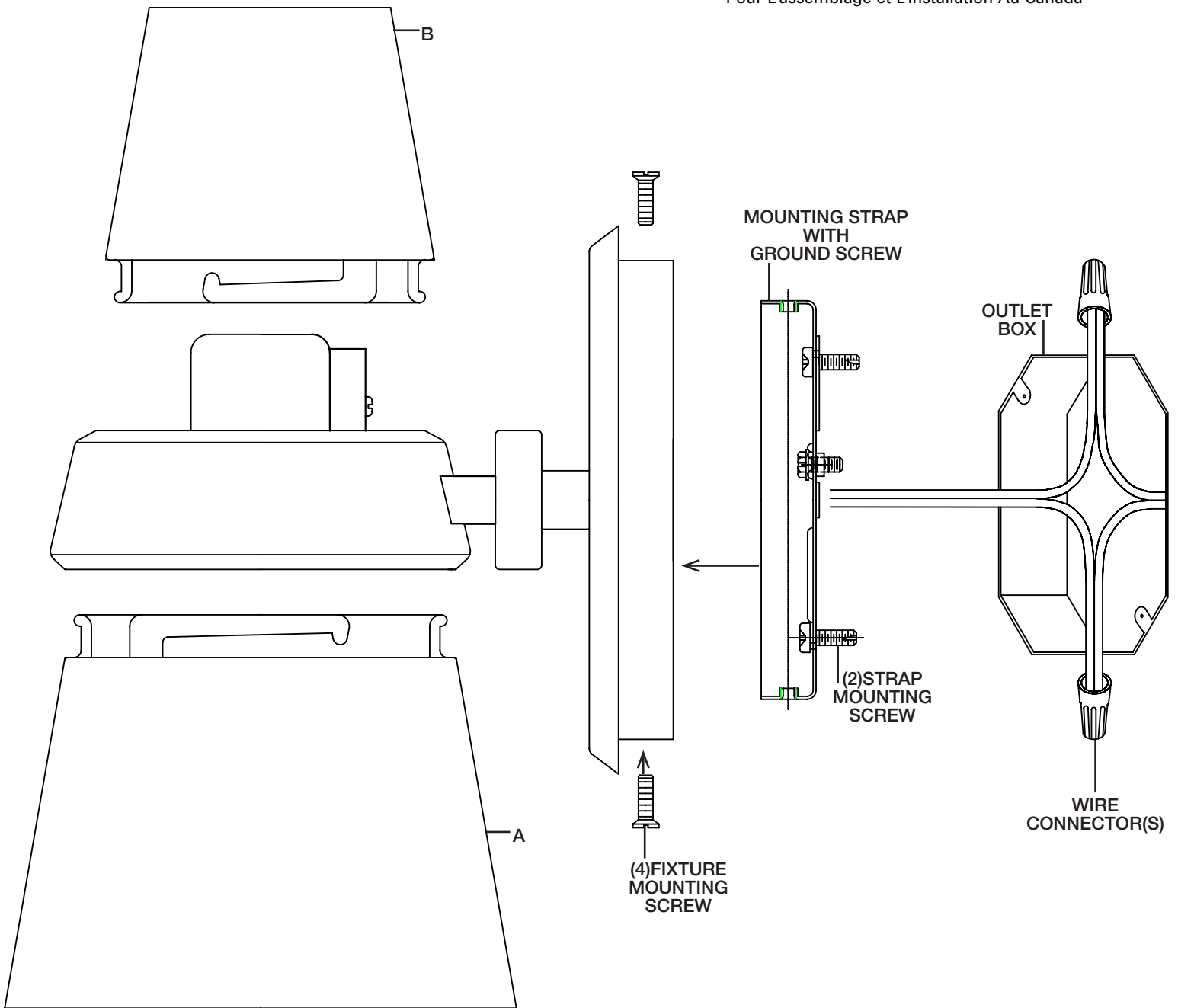


CAUTION – RISK OF SHOCK –

Disconnect Power at the main circuit breaker panel or main fuse box before starting and during the installation.

INSTRUCTIONS

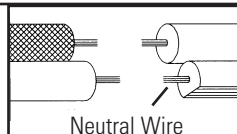
For Assembling and Installing Fixtures in Canada
 Pour L'assemblage et L'installation Au Canada



- 1) Attach mounting strap to outlet box using the (2) two supplied mounting strap screws. Mounting strap can be adjusted to suit position of fixture.
- 2) Make wire connections. Reference chart below for correct connections and wire accordingly.

Connect Black or Red Supply Wire to:	Connect White Supply Wire to:
Black	White
*Parallel cord (round & smooth)	*Parallel cord (square & ridged)
Clear, Brown, Gold or Black without tracer	Clear, Brown, Gold or Black with tracer
Insulated wire (other than green) with copper conductor	Insulated wire (other than green) with silver conductor

*Note: When parallel wires (SPT I & SPT II) are used. The neutral wire is square shaped or ridged and the other wire will be round in shape or smooth (see illus.)



- 3) Push fixture to wall, carefully screw in the (4) fixture mounting screws through holes in the top and bottom of the canopy. NOTE, the fixture can be mounted with the socket in the up or down position.
- 4) Insert recommended bulb (not included).
- 5) Set A-glass down over socket and twist clockwise to lock into place.
- 6) Set B-glass down over opposite end from socket and twist clockwise to lock into place.