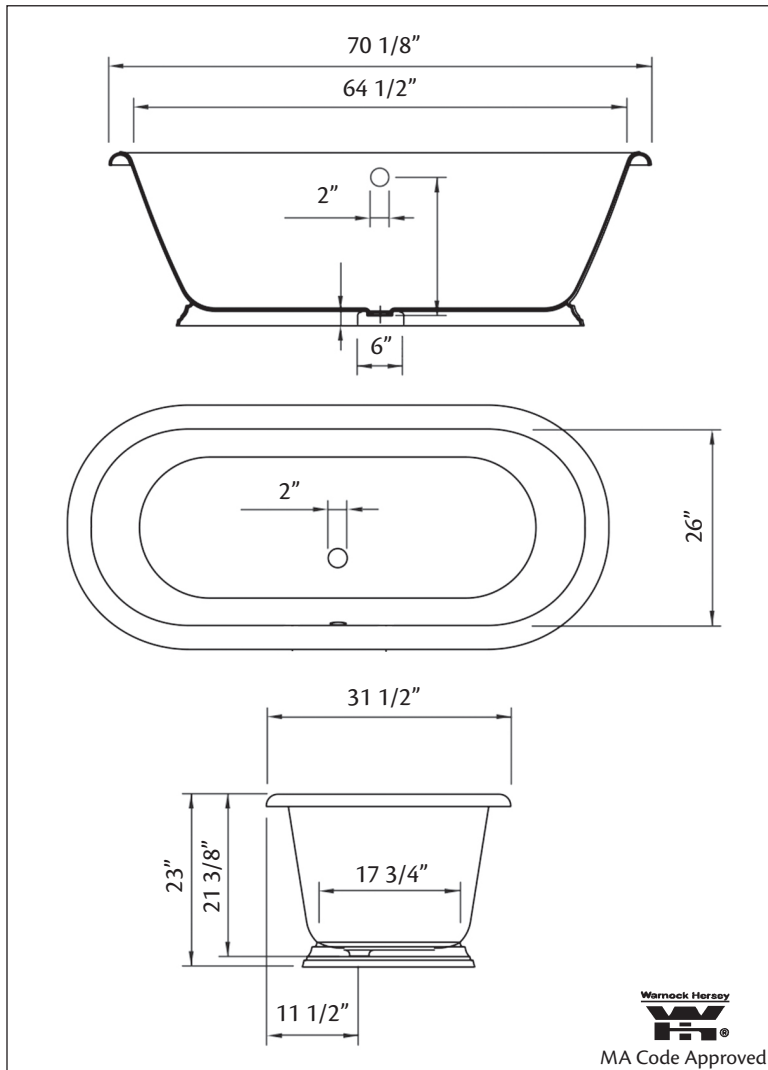


2163 SANDRINGHAM Bath Master Collection

Cheviot Products' cast iron bathtubs are handmade in Europe with the finest materials. Fired with a thick coating of AA grade titanium-based enamel for unparalleled hardness and non-porosity, the extremely durable surface is easy to clean and resistant to stains, bacteria, and other microbes. Cast iron also keeps your bath warm for the longest possible time.



70 1/8" x 31 1/2" Wide x 23" Tall
 401 lbs, 63 gallons, 240 litres
Metallic Finish: Burnished Cast Iron

Related Products:



5115 Tub Filler



3970 Heavy Duty Water Supply Lines



3980 Heavy Duty Water Supply Lines



2222 Waste & Overflow

Note: Rough-in dimensions may vary +/- 1/2" and are subject to change. No responsibility is assumed by Cheviot Products Inc. One Year Limited Warranty against manufacturer's defects.