

PRODUCT SPECIFICATIONS

Metered Lavatory Deck Mount Faucet. Faucet has a flow rate of 1.0 GPM, and is made of Chrome Plated Brass material, with a Ceramic Disc valve. Faucet requires 1 faucet holes.

| | |
|------------------------------|--|
| Mounting Type: | Deck Mount |
| Special Features: | Solid brass waterway construction Vandal resistant aerator with key |
| Finish: | Chrome (CR) |
| Handle Type: | Push Button |
| Deck Clearance: | 1-3/4" |
| Spout Reach: | 4-1/8" |
| Spout Height: | 4-1/8" |
| Hole Drillings: | 1 |
| Material: | Chrome Plated Brass |
| Valve Type: | Ceramic Disc |
| Valve Connection: | 1/2"-14 NPSM |
| Flow Rate: | 1.0 GPM |
| Countertop Thickness: | 1.3750 |
| Spout Swing Rotation: | 0° |
| Spout Type: | Fixed Spout |

Special Note: Self-closing metering ceramic cartridge

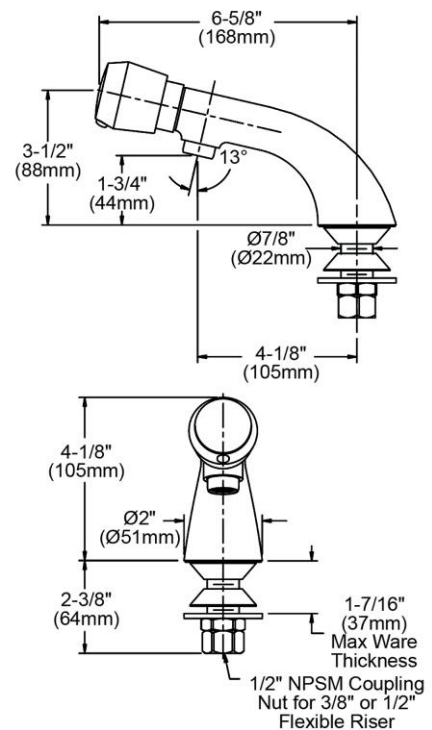


AMERICAN PRIDE. A LIFETIME TRADITION.
Like your family, the Elkay family has values and traditions that endure. For almost a century, Elkay has been a family-owned and operated company, providing thousands of jobs that support our families and communities.



Product Compliance: ADA & ICC A117.1
ASME A112.18.1/CSA B125.1
NSF 61
NSF 372 (lead free)

[Clean and Care Manual \(PDF\)](#)
[Installation Instructions \(PDF\)](#)
[Limited Warranty \(PDF\)](#)



PART: _____ QTY: _____

PROJECT: _____

CONTACT: _____

DATE: _____

NOTES: _____

APPROVAL: _____

In keeping with our policy of continuing product improvement, Elkay reserves the right to change product specifications without notice. Please visit elkay.com for the most current version of Elkay product specification sheets. This specification describes an Elkay product with design, quality, and functional benefits to the user. When making a comparison of other producers' offerings, be certain these features are not overlooked.