

# ELKAY<sup>®</sup>

## SPECIFICATIONS

### Commercial Faucet Model LK940AT12L2S Wall Mount 8" Center Arc Tube 12"

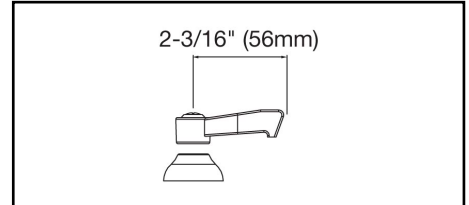
#### GENERAL FEATURES

- Quarter turn ceramic disc cartridge
- Solid brass construction
- Chrome finish
- Replacement cartridge A70001 for cold
- Replacement cartridge A70002 for hot
- Includes spout swing restriction pin
- Shut off valve with 1/2" NPT Female Inlets

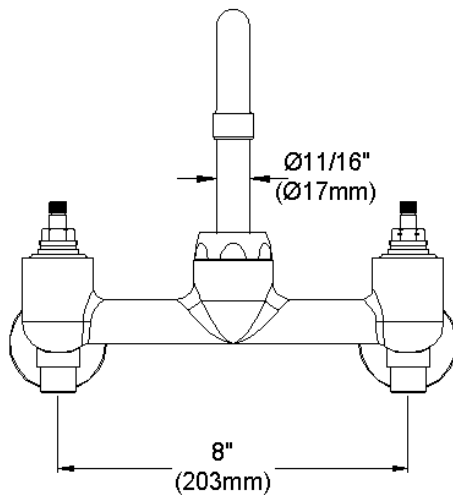
#### COMPLIES WITH:

- ASME/ANSI A112.18.1
- CSA B125-01
- NSF/ANSI 61
- ADA
- UPC/CUPC
- IAPMO Listed

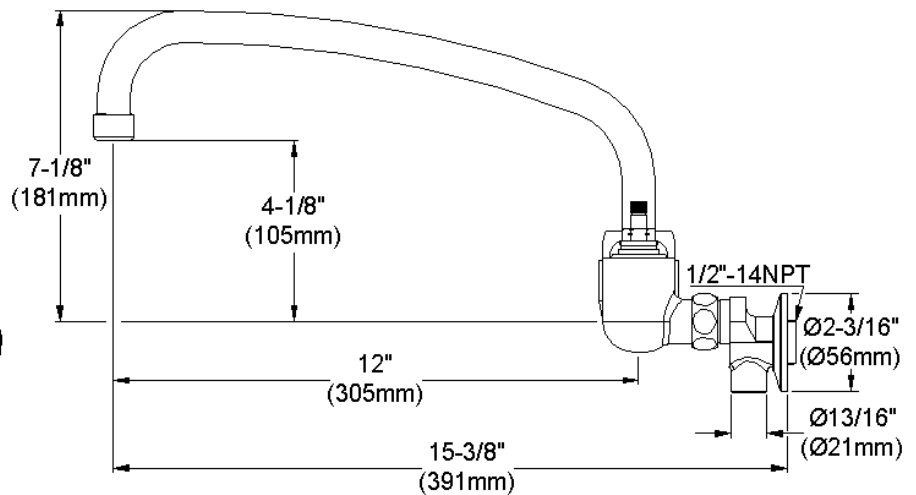
Lever Handle 2 inch, Two Piece



Replacement Handle A55385  
Replacement Escutcheon A55390



**FRONT VIEW**



(shown less handles)

**SIDE VIEW**

<b>Job Name:</b>	<b>Item #:</b>
<b>Notes:</b>	
<b>Architect/Engineer Approval:</b>	<b>Date: 10/28/2005</b>

For warranty information go to [www.elkayusa.com](http://www.elkayusa.com)

# ELKAY<sup>®</sup>

## SPECIFICATIONS

### Commercial Faucet Model LK940AT12T4S Wall Mount 8" Center Arc Tube 12"

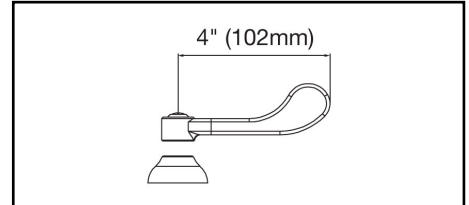
#### GENERAL FEATURES

- Quarter turn ceramic disc cartridge
- Solid brass construction
- Chrome finish
- Replacement cartridge A70001 for cold
- Replacement cartridge A70002 for hot
- Includes spout swing restriction pin
- Shut off valve with 1/2" NPT Female Inlets

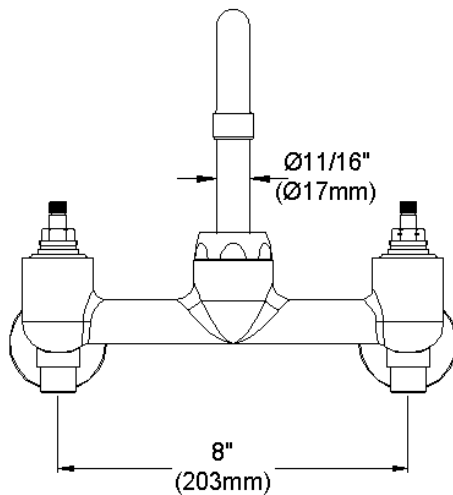
#### COMPLIES WITH:

- ASME/ANSI A112.18.1
- CSA B125-01
- NSF/ANSI 61
- ADA
- UPC/CUPC
- IAPMO Listed

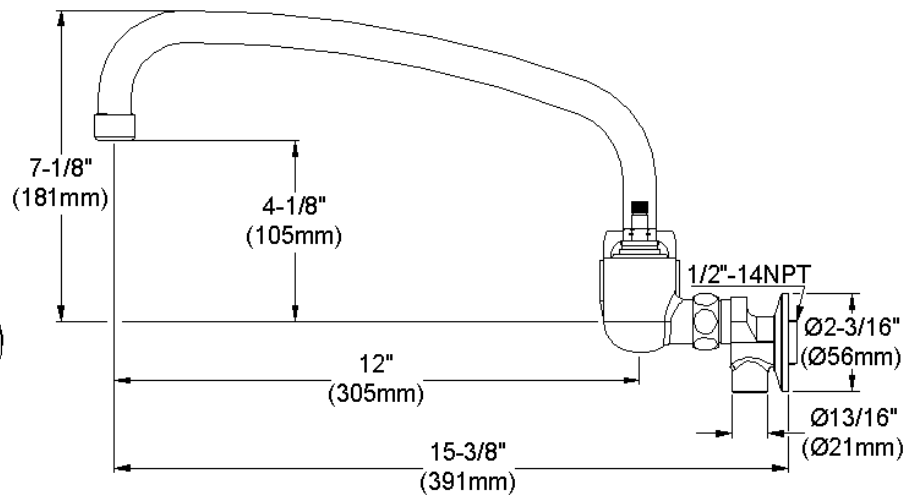
Wristblade Handle 4 inch, Two Piece



Replacement Handle A55387  
Replacement Escutcheon A55390



**FRONT VIEW**



(shown less handles)

**SIDE VIEW**

<b>Job Name:</b>	<b>Item #:</b>
<b>Notes:</b>	
<b>Architect/Engineer Approval:</b>	<b>Date: 10/28/2005</b>

For warranty information go to [www.elkayusa.com](http://www.elkayusa.com)

# ELKAY<sup>®</sup>

## SPECIFICATIONS

### Commercial Faucet Model LK940AT12T6S Wall Mount 8" Center Arc Tube 12"

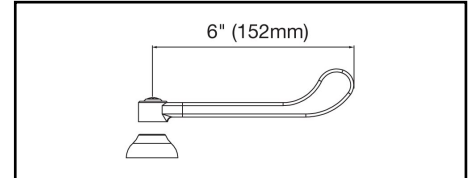
#### GENERAL FEATURES

- Quarter turn ceramic disc cartridge
- Solid brass construction
- Chrome finish
- Replacement cartridge A70001 for cold
- Replacement cartridge A70002 for hot
- Includes spout swing restriction pin
- Shut off valve with 1/2" NPT Female Inlets

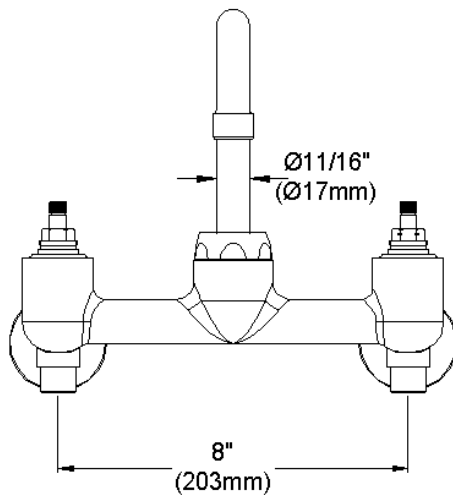
#### COMPLIES WITH:

- ASME/ANSI A112.18.1
- CSA B125-01
- NSF/ANSI 61
- ADA
- UPC/CUPC
- IAPMO Listed

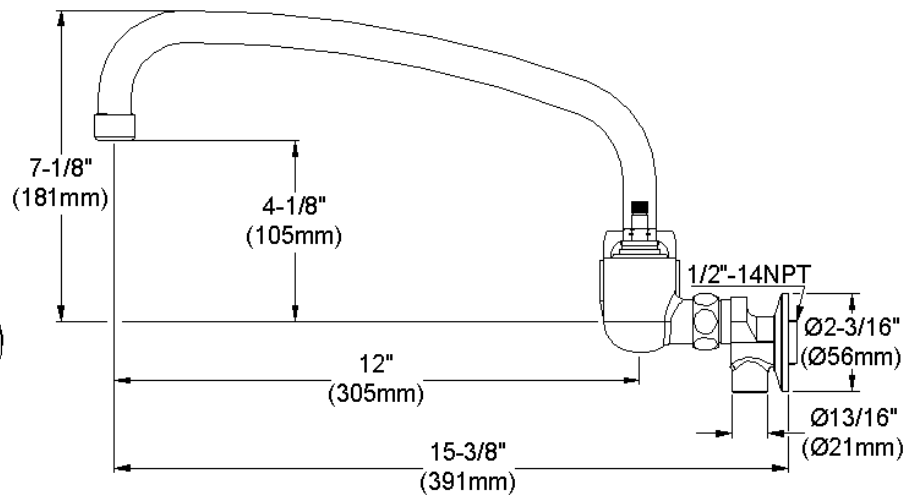
Wristblade Handle 6 inch, Two Piece



Replacement Handle A55388  
Replacement Escutcheon A55390



**FRONT VIEW**



(shown less handles)

**SIDE VIEW**

<b>Job Name:</b>	<b>Item #:</b>
<b>Notes:</b>	
<b>Architect/Engineer Approval:</b>	<b>Date: 10/28/2005</b>

For warranty information go to [www.elkayusa.com](http://www.elkayusa.com)