

FEATURES**Model LKD208513C**

- Single hole top mount installation
 - 1-1/2" (38mm) faucet hole required
 - Maximum countertop thickness 1-1/4" (32mm)
- Right hand single handle faucet
- Rigid spout, overall height 12-1/2" (318mm)
- Removable cartridge
- Solid brass construction
- 3/8" (10mm) compression stainless steel flex hose
- Highly polished, chrome plated finish
- Ship Wt. 4 lbs. (1.8Kg)
- Maximum flow rate
 - 2.5 GPM/9.5 L/min at 80 P.S.I.G.
 - 2.2 GPM/8.3 L/min at 60 P.S.I.G.

Model LKD208513LC

- Same as LKD208513C except with handle on the left side

Model LKDVR208513C

- Same as LKD208513C except with vandal-resistant aerator

Model LKDVR208513LC

- Same as LKDVR208513C except with handle on the left side

Model LKD20858C

- Same as LKD208513C except with overall spout height of 8-5/8" (220mm)
- Ship Wt. 2 lbs. (0.9Kg)

Model LKD20858LC

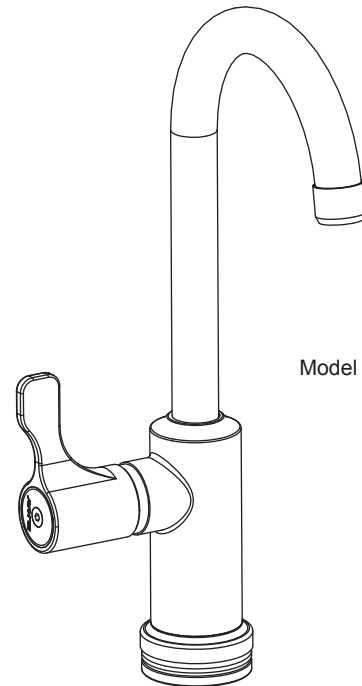
- Same as LKD20858C except with handle on the left side

WARRANTY

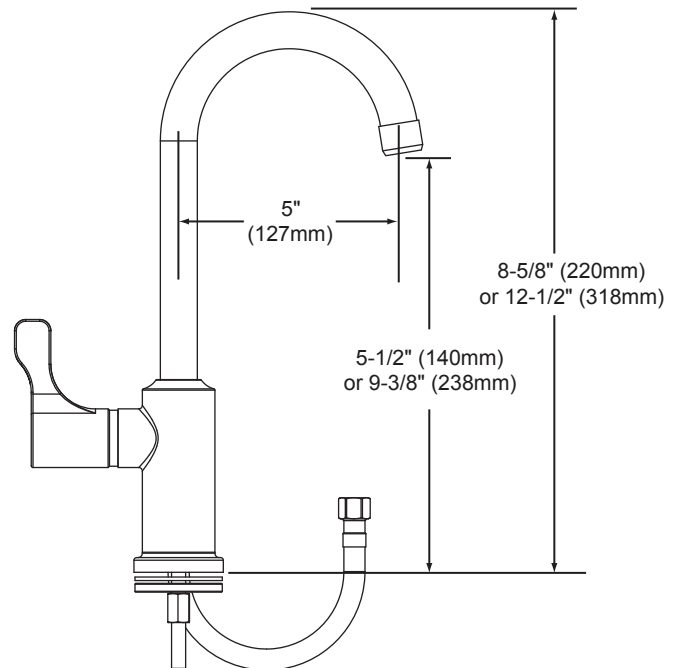
- Limited Lifetime

COMPLIES WITH:

- ADA
- ANSI/NSF61 - Certified
- ASME 112.18.1/CSA B125.1
- CA AB1953/VT S152

**Single Handle Hospitality Faucet
Models LKD20858C, LKD20858LC, LKD208513C,
LKD208513LC, LKDVR208513C, and LKDVR208513LC**

Model LKD208513LC

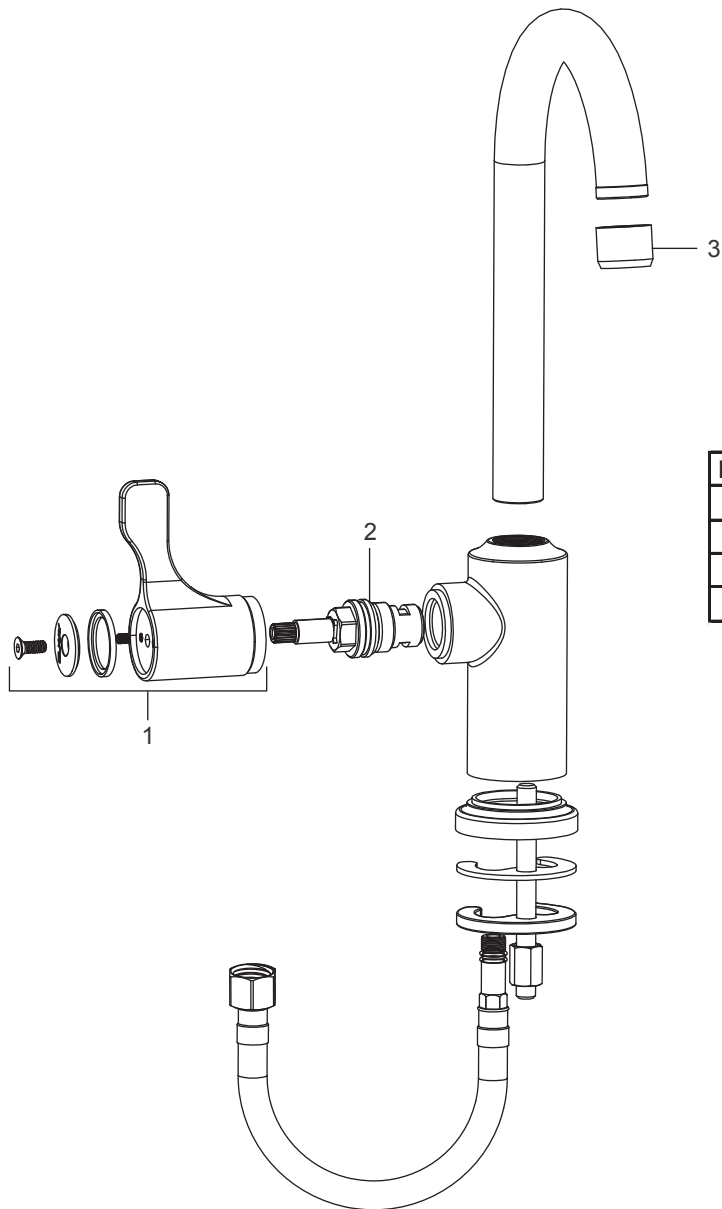


SEE OTHER SIDE FOR REPLACEMENT PARTS



REPLACEMENT PARTS

Single Handle Hospitality Faucet
Models LKD20858C, LKD20858LC, LKD208513C,
LKD208513LC, LKDVR208513C, and LKDVR208513LC



ITEM	PART #	DESCRIPTION
1	0000000680	2.6" Blade Handle
2	0000000682	Cartridges
3	0000000688	Aerator
3	0000000687	VR Model Aerator