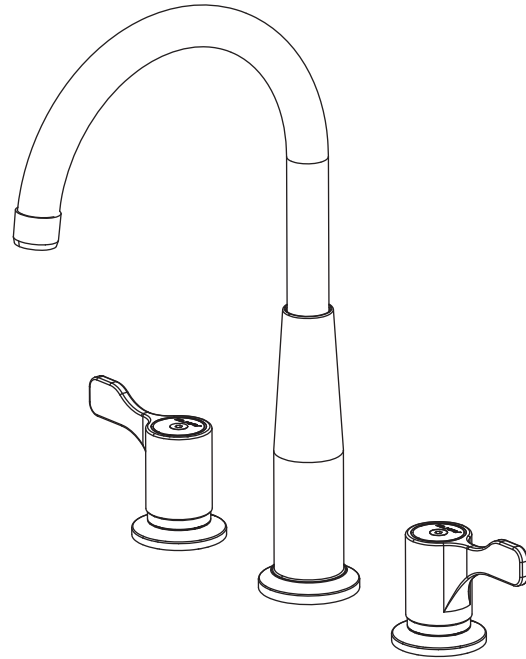


**Dual Handle Kitchen Faucet
Model LKD232SC and LKD232SBHC****FEATURES****Model LKD232SC**

- Three hole, concealed mount dual handle kitchen faucet
 - Three 1-1/4" (32mm) diameter faucet holes required
 - Maximum countertop thickness is 1-1/8" (28mm)
- Multi swing spout with restricted flow aerator, brass escutcheon
- Highly polished, chrome plated finish
- Removeable cartridge
- 1/2" (13mm) I.P. connections on 8" (203mm) centers
- Ship Wt. 6-1/2 lbs. (3Kg)
- Maximum flow rate
 - 2.5 GPM/9.5 L/min at 80 P.S.I.G.
 - 2.2 GPM/8.3 L/min at 60 P.S.I.G.

Model LKD232SBHC

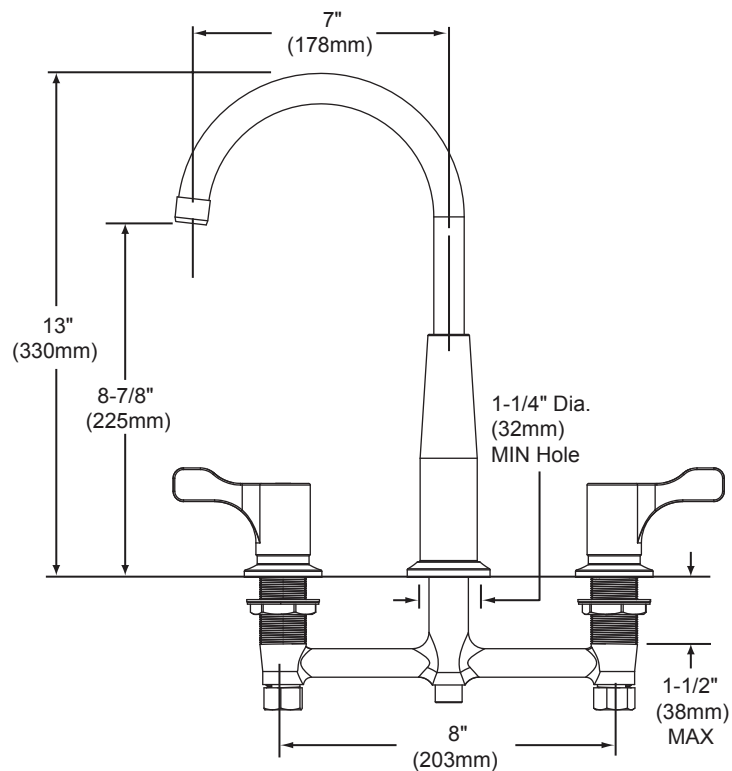
- Same as LKD232C except with 4" handles

**WARRANTY**

- Limited Lifetime

COMPLIES WITH:

- ADA
- ANSI/NSF61 - Certified
- ASME 112.18.1/CSA B125-01
- CA AB1953/VT S152



SEE OTHER SIDE FOR REPLACEMENT PARTS

Dual Handle Kitchen Faucet Model LKD232SC and LKD232SBHC

ITEM	PART #	DESCRIPTION
1	0000000679	4.0" Blade Handle
1	0000000680	2.6" Blade Handle
2	0000000682	Cartridges
3	0000000685	Multi Swing Spout Repair Kit
4	0000000688	Aerator

