

**Dual Handle Bar Faucet
Model LKD24898BHC****FEATURES****Model LKD24898BHC**

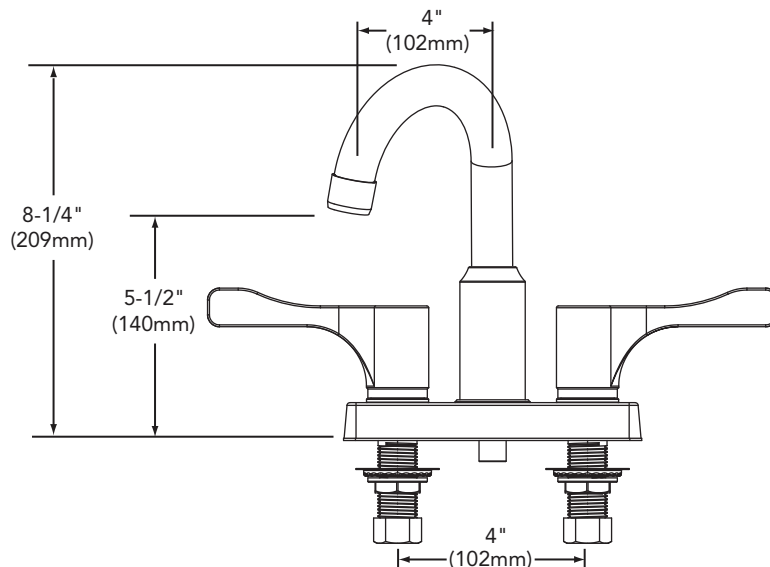
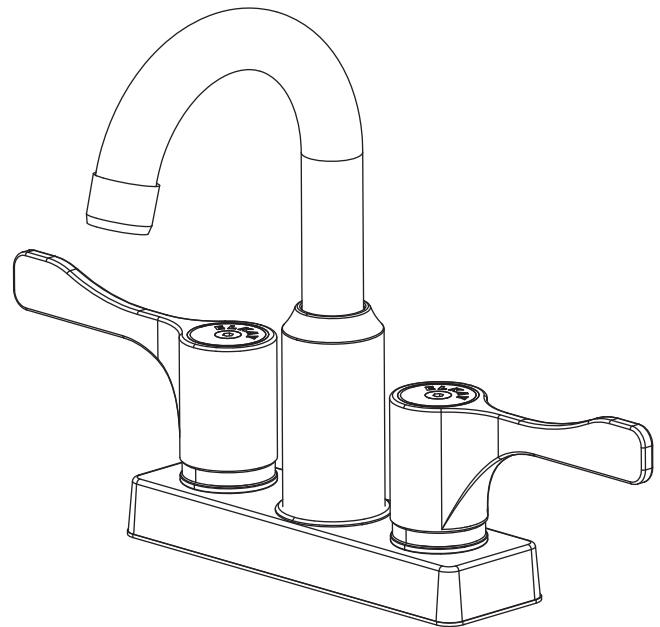
- Two hole top mount installation
 - Two 1-1/4" (32mm) diameter faucet holes required
 - Maximum countertop thickness 1-1/8" (29mm)
- 4" (102mm) blade handle faucet with stainless steel eschutcheon
- Chrome plated lever handles
- Tubular 360° swing spout with aerator
- 90° turn of the handle controls water from the drip-free off to full on.
- Requires 1/2" (13mm) I.P. connections on 4" (203mm) centers
- Removable ceramic disc cartridge
- Ship Wt. 3.75 lbs. (2Kg)
- Maximum flow rate
 - 2.5 GPM/9.5 L/min at 80 P.S.I.G.
 - 2.2 GPM/8.3 L/min at 60 P.S.I.G.

WARRANTY

- Limited Lifetime

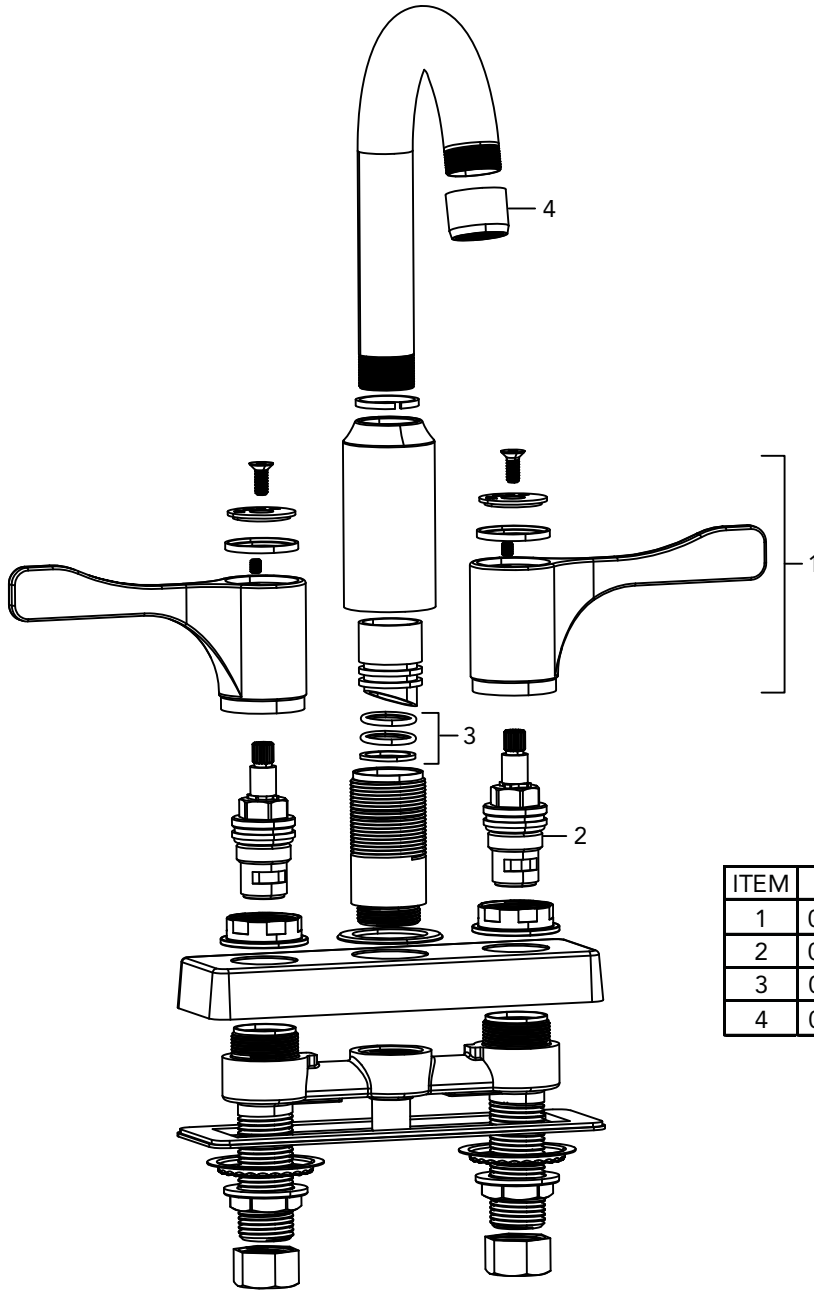
COMPLIES WITH:

- ADA
- ANSI/NSF61 - Certified
- ASME 112.18.1/CSA B125-01
- CA AB1953/VT S152



SEE OTHER SIDE FOR REPLACEMENT PARTS

**Dual Handle Bar Faucet
Model LKD24898BHC**



ITEM	PART #	DESCRIPTION
1	0000000679	4" Blade Handle
2	0000000682	Cartridges
3	0000000686	360° Swing Spout Repair Kit
4	0000000688	Aerator