

PRODUCT SPECIFICATIONS

Elkay Harmony Pull-down Spray Entertainment Faucet. Faucet has a flow rate of 1.5 GPM, and is made of Brass material, with a Ceramic Disc valve. Faucet requires 1 faucet holes.

| | |
|--------------------------------|---|
| Mounting Type: | Deck Mount |
| Special Features: | Low Flow Solid Brass Construction |
| Spray Type: | Pull Down |
| Finish: | Antique Steel (AS), Chrome (CR), Lustrous Steel (LS) |
| Handle Type: | Forward Only Lever Handle |
| Deck Clearance: | 7-3/8" |
| Spout Reach: | 7-3/8" |
| Spout Height: | 13-1/4" |
| Hole Drillings: | 1 |
| Material: | Brass |
| Valve Type: | Ceramic Disc |
| Valve Connection: | 1/2"-14 NPSM |
| Flow Rate: | 1.5 GPM |
| Faucet Hole Size (min): | 1-1/2" |
| Countertop Thickness: | 2.5000 |
| Spout Swing Rotation: | 360° |
| Spout Type: | Pull-down Spray |

Special Note: 1.5 gpm flow regulator installed (2.2 gpm flow regulator also included with faucet)

OPTIONAL ACCESSORIES

| |
|---------------------------------|
| LK105 - Air Gap |
| LK131 - 3-Hole Escutcheon Plate |
| LK320 - Soap/Lotion Dispenser |



Antique Steel
(AS)



Chrome
(CR)



Lustrous Steel
(LS)

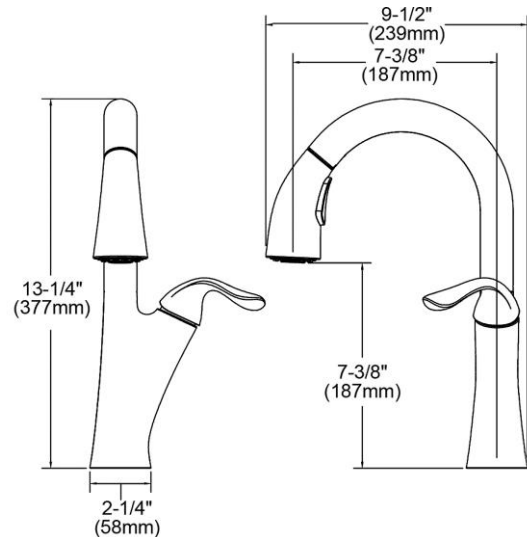


AMERICAN PRIDE. A LIFETIME TRADITION.
Like your family, the Elkay family has values and traditions that endure. For almost a century, Elkay has been a family-owned and operated company, providing thousands of jobs that support our families and communities.



Product Compliance: ADA & ICC A117.1
ASME A112.18.1/CSA B125.1
NSF 61
NSF 372 (lead free)

[Clean and Care Manual \(PDF\)](#)
[Installation Instructions \(PDF\)](#)
[Limited Lifetime Warranty \(PDF\)](#)



PART: _____ QTY: _____

PROJECT: _____

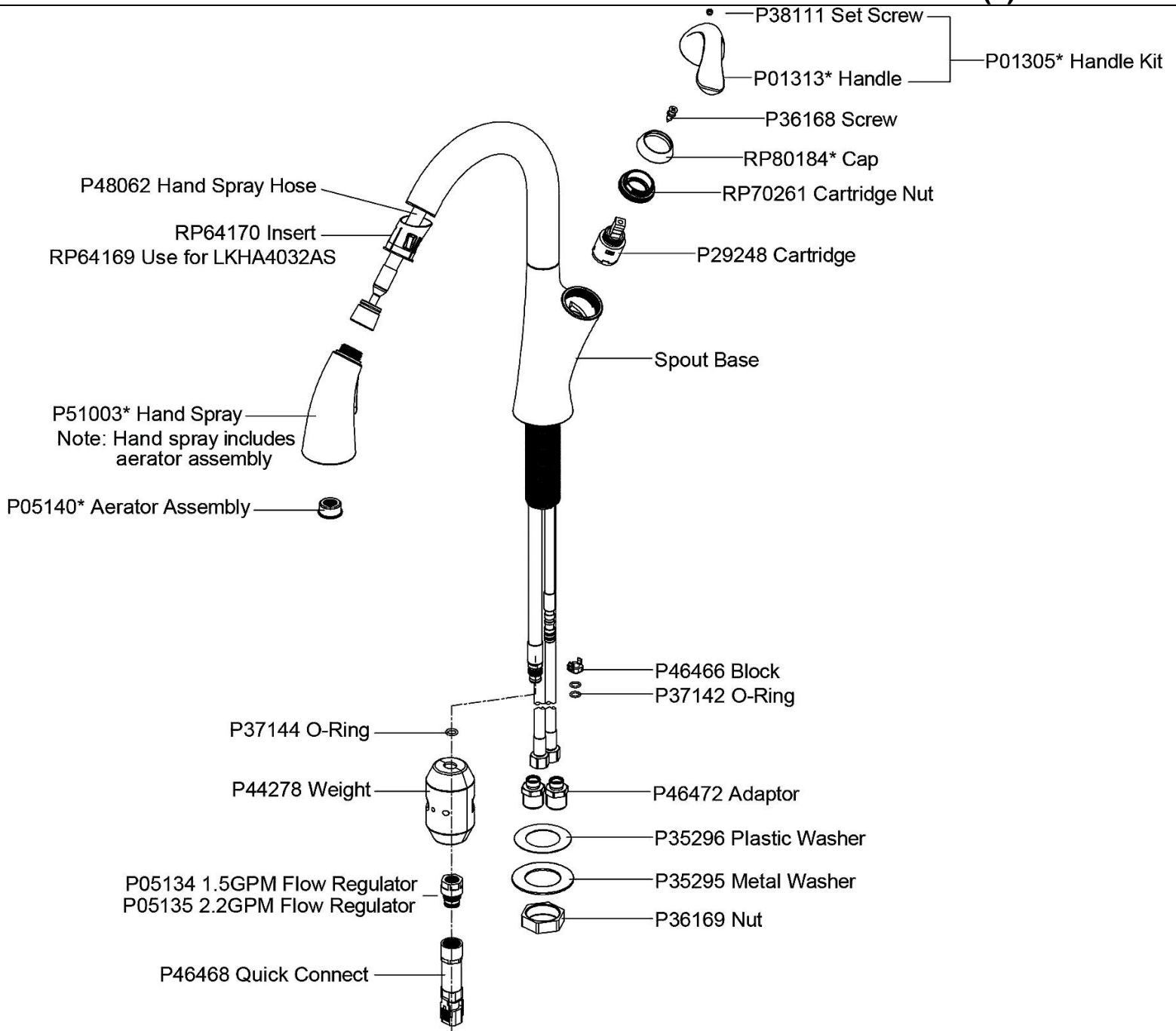
CONTACT: _____

DATE: _____

NOTES: _____

APPROVAL: _____

In keeping with our policy of continuing product improvement, Elkay reserves the right to change product specifications without notice. Please visit elkay.com for the most current version of Elkay product specification sheets. This specification describes an Elkay product with design, quality, and functional benefits to the user. When making a comparison of other producers' offerings, be certain these features are not overlooked.



In keeping with our policy of continuing product improvement, Elkay reserves the right to change product specifications without notice. Please visit elkay.com for the most current version of Elkay product specification sheets. This specification describes an Elkay product with design, quality, and functional benefits to the user. When making a comparison of other producers' offerings, be certain these features are not overlooked.