

**PRODUCT SPECIFICATIONS**

Elkay 4" Centerset Deck Mount Faucet with Gooseneck Spout and Clear Crystalac Handles Chrome. Faucet has a flow rate of 1.5 GPM, and is made of Chrome-plated Brass material, with a Ceramic Disc valve. Faucet requires 2 faucet holes.

<b>Mounting Type:</b>	Deck Mount
<b>Special Features:</b>	Low Flow
<b>Finish:</b>	Chrome (CR)
<b>Handle Type:</b>	Clear Crystalac Handle
<b>Deck Clearance:</b>	4-7/16"
<b>Spout Reach:</b>	3-7/16"
<b>Spout Height:</b>	8"
<b>Hole Drillings:</b>	2
<b>Material:</b>	Chrome-plated Brass
<b>Valve Type:</b>	Ceramic Disc
<b>Valve Connection:</b>	1/2"-14 NPSM
<b>Flow Rate:</b>	1.5 GPM
<b>Faucet Hole Size (min):</b>	1-1/2"
<b>Faucet Hole Spread:</b>	4
<b>Countertop Thickness:</b>	7/8
<b>Spout Swing Rotation:</b>	360°
<b>Spout Type:</b>	Standard Spout

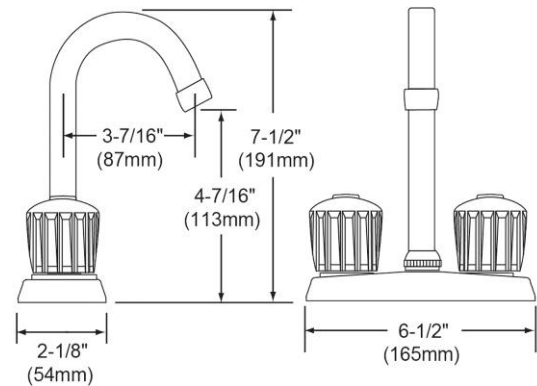


AMERICAN PRIDE. A LIFETIME TRADITION.  
Like your family, the Elkay family has values and traditions that endure. For almost a century, Elkay has been a family-owned and operated company, providing thousands of jobs that support our families and communities.

**Product Compliance:** ASME A112.18.1/CSA B125.1  
CEC  
NSF 372 (lead free)  
NSF 61



[Clean and Care Manual \(PDF\)](#)  
[Installation Instructions \(PDF\)](#)  
[Warranty \(PDF\)](#)



PART: \_\_\_\_\_ QTY: \_\_\_\_\_

PROJECT: \_\_\_\_\_

CONTACT: \_\_\_\_\_

DATE: \_\_\_\_\_

NOTES: \_\_\_\_\_

APPROVAL: \_\_\_\_\_

*In keeping with our policy of continuing product improvement, Elkay reserves the right to change product specifications without notice. Please visit [elkay.com](http://elkay.com) for the most current version of Elkay product specification sheets. This specification describes an Elkay product with design, quality, and functional benefits to the user. When making a comparison of other producers' offerings, be certain these features are not overlooked.*