

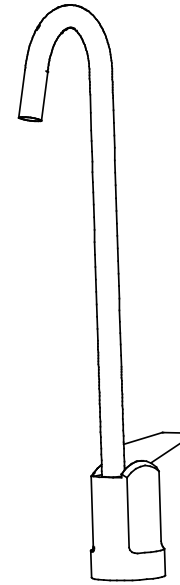
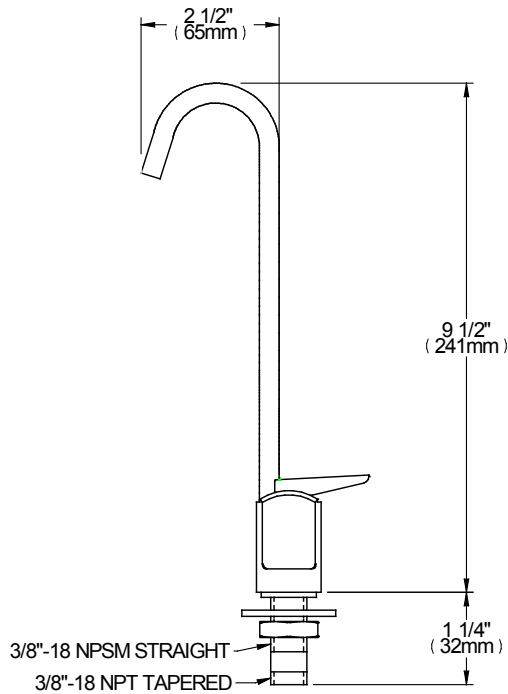
ELKAY® SPECIFICATIONS

Push Lever Glass Filler Model LK1110

GENERAL

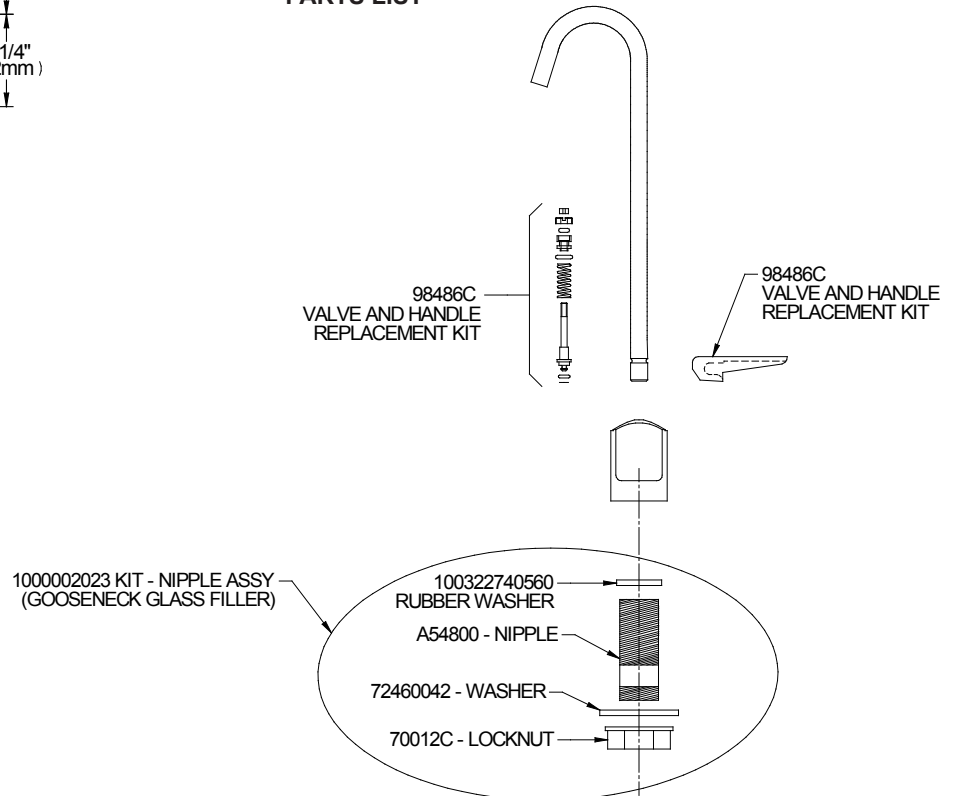
LK1110 stainless steel single water gooseneck glass filler, manufactured with 100% lead-free material, plastic push lever control, 9-1/2" (241mm) high overall, 3/8" NPT connection. Ship Wt. 1 lb.

DIMENSIONS



Model LK1110

PARTS LIST



In keeping with our policy of continuing product improvement, Elkay reserves the right to change specification without notice. Please visit elkay.com for the most current version.