

SPECIFICATIONS

In Wall Mounting Plate Model MPW201

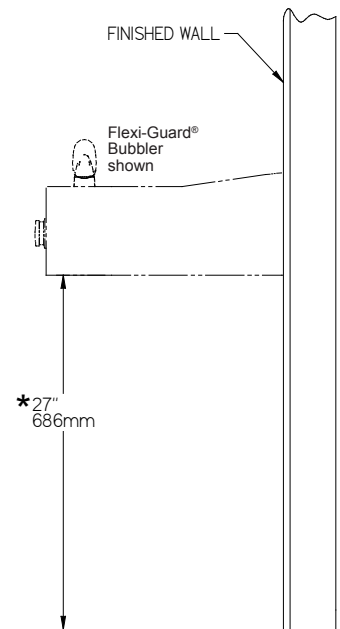
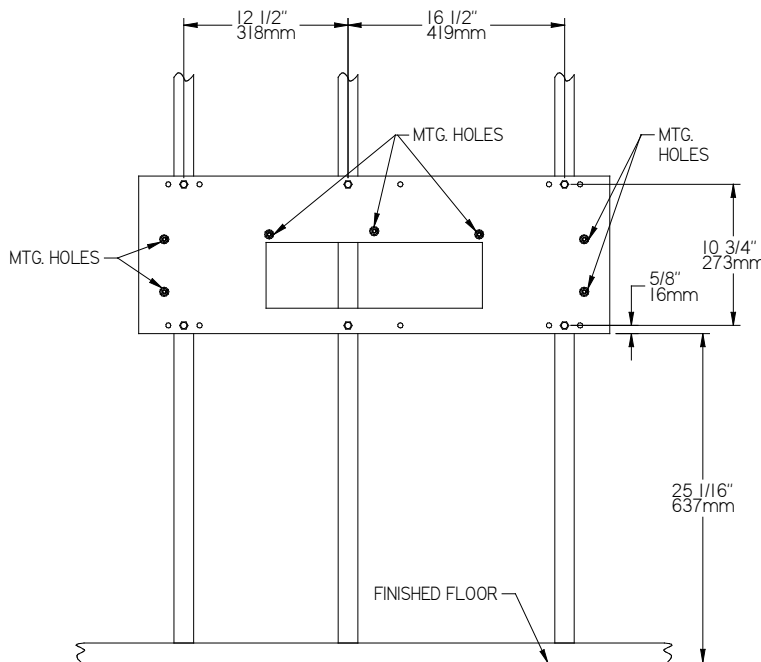
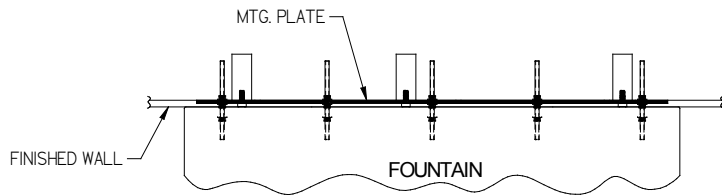
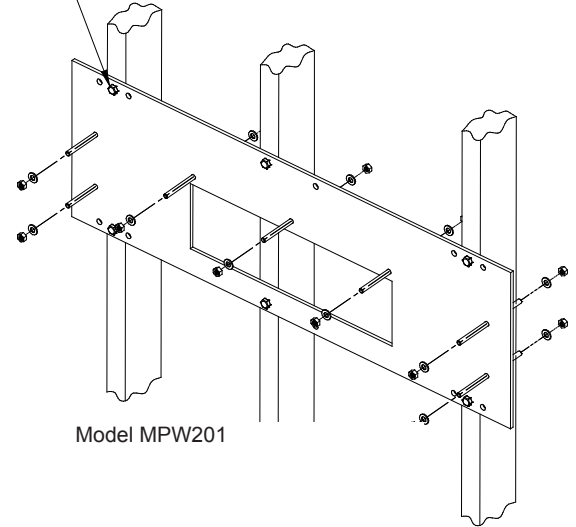
GENERAL

In Wall Support Legs constructed of heavy gauge steel supports up to 500 lbs. Plate can be installed directly to studs or in conjunction with ML100 Mounting legs. All parts painted with protective coating to last.

Universal design enables you to mount EDFP220 & 7120 model fountains.

Adjustable height setting allows for adult or child installation.

3/8" MTG. HARDWARE
(SUPPLIED BY OTHERS)



* ADA REQUIREMENT

** WITH STANDARD STUD LENGTH OF 6 INCHES

NOTE: – AFTER INSTALLATION, THREADED RODS MAY NEED TO BE TRIMMED

In keeping with our policy of continuing product improvement, Elkay reserves the right to change specification without notice. Please visit elkay.com for the most current version.

This specification describes an Elkay product with design, quality and functional benefits to the user. When making a comparison of other producers' offerings, be certain these features are not overlooked.